



## IO-Link master ICE2-8IOL-K45P-RJ45

- Web-based configuration of module and IO-Link devices
- Integrated IODD storage for more than 100 IODDs
- Downloadable module configuration
- EtherNet/IP, Modbus/TCP and OPC UA support
- Pluggable push-in connectors

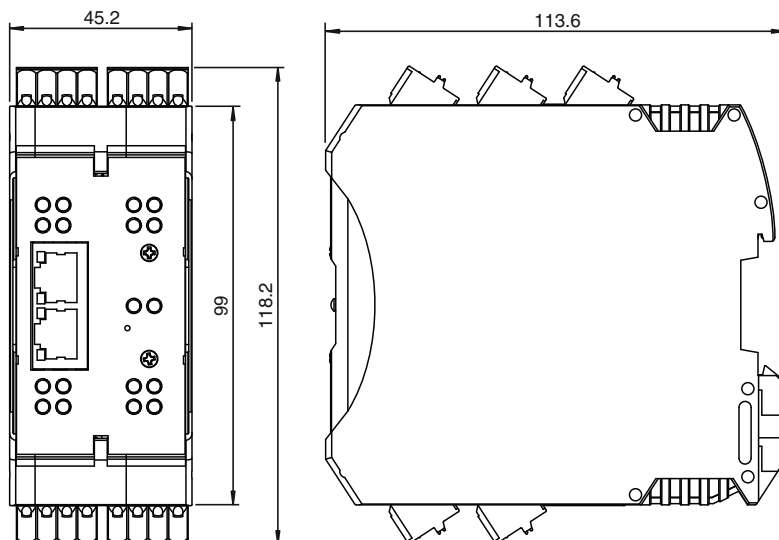
EtherNet/IP IO-Link master with 8 inputs/outputs, DIN rail, push-in connectors



### Function

The module is an EtherNet/IP fieldbus module with 8 type A IO-Link master ports according to the IO-Link standard V1.1. The module serves as an interface between the controller of an EtherNet/IP fieldbus system and IO-Link devices at the field level. The integrated web server and IODD interpreter enables complete configuration of the module and attached IO-Link devices without the need for special software tools. Information regarding the status of the module is also displayed and network parameters such as the IP address and subnet mask can be configured. The module is capable of storing all configuration enabling stand-alone usage without a higher-level PLC. MultiLink simultaneously provides data access via different communication protocols like EtherNet/IP, Modbus/TCP and OPC UA to multiple controllers. A pluggable push-in connector supplies power enabling a current rating of up to 3.7 A. The inputs and outputs are equipped with pluggable, push-in connectors. Connection to the fieldbus is achieved using a standard RJ45 Ethernet connector. Status information for each channel is displayed via LEDs as a diagnostic function.

### Dimensions



Release date: 2024-06-08 Date of issue: 2024-06-08 Filename: 70108831\_eng.pdf

Refer to "General Notes Relating to Pepperl+Fuchs Product Information".

Pepperl+Fuchs Group  
www.pepperl-fuchs.com

USA: +1 330 486 0001  
fa-info@us.pepperl-fuchs.com

Germany: +49 621 776 1111  
fa-info@de.pepperl-fuchs.com

Singapore: +65 6779 9091  
fa-info@sg.pepperl-fuchs.com

**PEPPERL+FUCHS**

## Technical Data

|                                   |       |  |
|-----------------------------------|-------|--|
| <b>General specifications</b>     |       |  |
| UL File Number                    |       | E360395  |
| <b>Indicators/operating means</b> |       |  |
| LED indication                    |       | see manual   |
| <b>Electrical specifications</b>  |       |  |
| Rated operating voltage           | $U_e$ | 18 ... 30 V DC   |
| General information               |       | Redundant power  |
| Nominal voltage                   |       | 24 V DC  |
| Nominal current                   |       | 3.7 A  |
| Current consumption               |       | typ. 155 mA  |
| Current loading capacity          |       | Total current 3.2 A per module   |
| <b>Interface 1</b>                |       |  |
| Interface type                    |       | Industrial Ethernet  |
| Physical                          |       | RJ45   |
| Protocol                          |       | EtherNet/IP + Modbus TCP + OPC UA + MQTT<br>Modbus max PDI: 33 times / sec<br>OPC UA max PDI update rate: 20 times / sec<br>MQTT max PDI update rate: 10 times / sec                         |
| Transfer rate                     |       | 10/100 Mbps  |
| <b>Inputs/Outputs</b>             |       |  |
| Number/Type                       |       | 8 x IO-Link Class A (X1 – X8)<br>Configurable as:<br>Max. 8 IO-Link and 8 digital inputs<br>Max. 16 digital inputs<br>Max. 8 digital inputs and 8 digital outputs<br>short-circuit protected |
| Sensor supply                     |       | max. 200 mA per port via L+ (pin 1)  |
| Output current                    | $I_e$ | max. 200 mA per port Via C/Q (pin 4)   |
| <b>Directive conformity</b>       |       |  |
| Electromagnetic compatibility     |       |  |
| Directive 2014/30/EU              |       | EN 61000-6-2 , EN 61000-6-4  |
| <b>Standard conformity</b>        |       |  |
| Degree of protection              |       | EN 60529   |
| Fieldbus standard                 |       | Type 1 according to IEC 61131-2, EN 61131-9  |
| Electrical safety                 |       | CSA C22.2 No. 61010-1-12 / CSA C22.2 No. 61010-1-201<br>UL 61010-1 / UL 61010-1-201  |
| Emitted interference              |       | EN 61000-6-4, FCC Part 15 Subpart B, ICES-001, AS/NZS CISPR 11   |
| Noise immunity                    |       | EN 61000-6-2 , EN 61131-2 , EN 61131-9   |
| Shock resistance                  |       | EN 60068-2-27  |
| <b>Ambient conditions</b>         |       |  |
| Ambient temperature               |       | -40 ... 70 °C (-40 ... 158 °F)   |
| Storage temperature               |       | -40 ... 70 °C (-40 ... 158 °F)   |
| Relative humidity                 |       | max. 95 %  |
| Altitude                          |       | 0 ... 2000 m   |
| Shock and impact resistance       |       | 15g, 11ms, half-sine   |
| Vibration resistance              |       | 5-8Hz, 3.5mm displacement, 8.4-150Hz, 1.0g acceleration  |
| <b>Mechanical specifications</b>  |       |  |
| Degree of protection              |       | IP20   |
| Connection                        |       | Power Supply push-in connector<br>Fieldbus RJ45<br>Inputs/Outputs push-in connectors   |
| Material                          |       |  |
| Housing                           |       | Polyamide, UL94V-0   |
| Mass                              |       | 250 g  |
| Dimensions                        |       |  |
| Height                            |       | 118.2 mm   |
| Width                             |       | 45.2 mm  |

Release date: 2024-06-08 Date of issue: 2024-06-08 Filename: 70108831\_eng.pdf

Refer to "General Notes Relating to Pepperl+Fuchs Product Information".

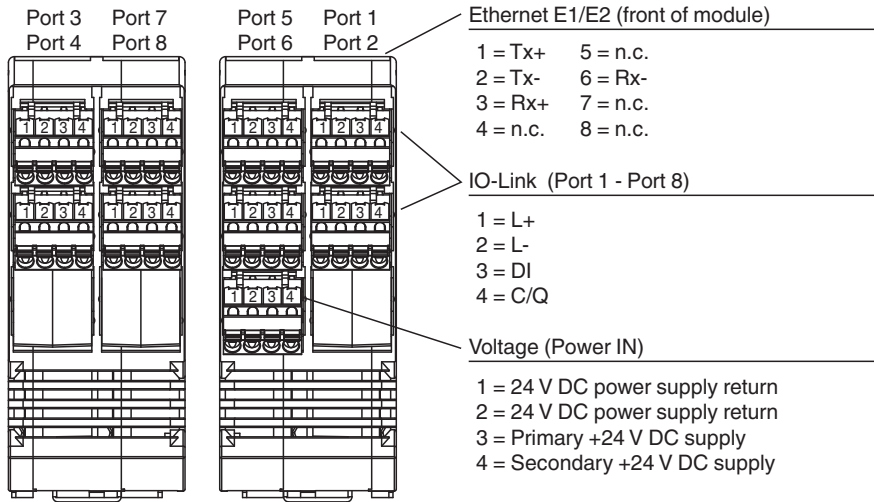
Pepperl+Fuchs Group  
www.pepperl-fuchs.comUSA: +1 330 486 0001  
fa-info@us.pepperl-fuchs.comGermany: +49 621 776 1111  
fa-info@de.pepperl-fuchs.comSingapore: +65 6779 9091  
fa-info@sg.pepperl-fuchs.com

**PEPPERL+FUCHS**

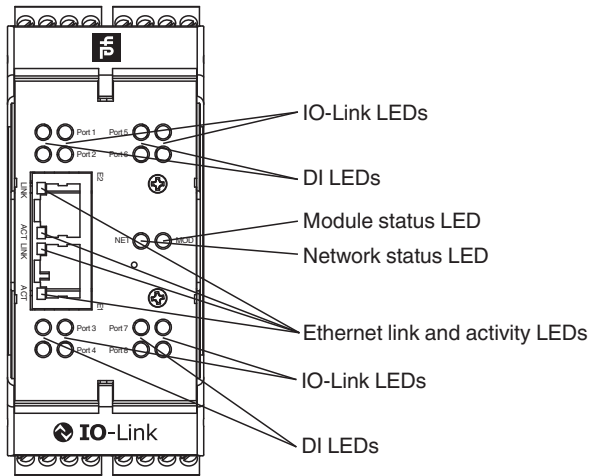
**Technical Data**

|                   |                   |
|-------------------|-------------------|
| Length            | 113.6 mm          |
| Construction type | Cabinet module    |
| Mounting          | DIN mounting rail |

**Connection**



**Assembly**



Release date: 2024-06-08 Date of issue: 2024-06-08 Filename: 70108831\_eng.pdf

Refer to "General Notes Relating to Pepperl+Fuchs Product Information".