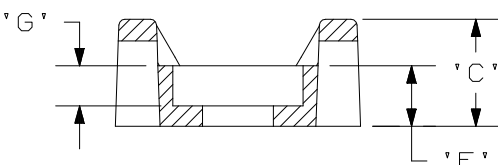
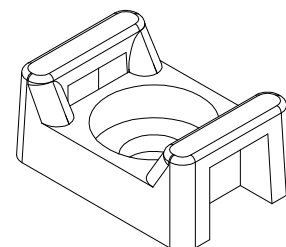
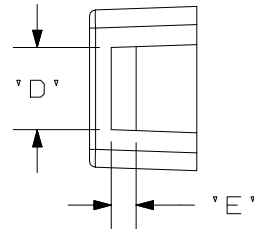
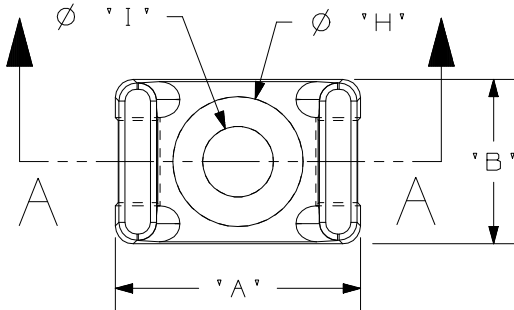


THIS COPY IS PROVIDED ON A RESTRICTED BASIS AND IS NOT TO BE USED IN ANY WAY DETRIMENTAL TO THE INTERESTS OF PANDUIT CORP.

PANDUIT PART #	RECOMMENDED FASTENER	'A'	'B'	'C'	'D' +.015 [+ .38] -.005 [- .13]	'E'	'F'	'G' (REF)	∅ 'H' (REF)	∅ 'I' (REF)	USE WITH CABLE TIE CROSS SECTIONS	WEIGHT 100 pcs lbs (g)
TM2S8-C76	#8 (M4) SCREW	.630 [16.0]	.425 [10.8]	.275 [7.0]	.215 [5.5]	.060 [1.5]	.155 [3.9]	.105 [2.7]	.325 [8.3]	.175 [4.4]	MINIATURE INTERMEDIATE STANDARD	.16 (73)
TM3S8-C76		.855 [21.7]	.610 [15.5]	.375 [9.5]	.320 [8.1]	.089 [2.3]	.205 [5.2]	.110 [2.8]			STANDARD LIGHT HEAVY	.54 (245)
TM3S10-C76	#10 (M5) SCREW								.385 [9.8]	.216 [5.5]		.52 (236)



SECTION A - A

NOTES:

1. SEE CURRENT PRICE SHEET FOR PART NUMBER SUFFIX DESIGNATION FOR PACKAGE SIZE.
2. COUNTERBORE HOLE TO PROVIDE LESS OF AN OBSTRUCTION TO THE BUNDLE.
3. UNIQUE CRADLE DESIGN PROVIDES MAXIMUM STABILITY AND RIGIDITY TO THE WIRE BUNDLE.
4. TEFZEL OFFERS A RESISTANCE TO ENVIROMENTAL STRESSES SUCH AS CHEMICAL ATTACK, GAMMA RADIATION, ULTRAVIOLET RADIATION AND EXTREME TEMPERATURES.
5. TEFZEL HAS A UL FLAMMABILITY RATING OF UL94V-0.

PART NUMBER <b>TM*S*-C76</b>	PACKAGING SPEC N/A
PRODUCT SPEC N/A	WORK INSTRUCTION N/A
INSPECTION INSTRUCTION NUMBER N/A	FMEA & CONTROL PLAN NUMBER N/A
TITLE <b>TM2S8-C76, TM3S8-C76, &amp; TM3S10-C76 TIE MOUNT</b>	
CONTROL DRAWING	
ITEM REVISION NAME W10001CR/05	<b>PANDUIT</b>
DATASET FILE NAME W10001CR_DS-TM/05	
UNLESS OTHERWISE SPECIFIED, DIMENSIONAL TOLERANCES ARE: IN (mm) .x ± .1 [ .25 ]      .xxx ± .010 [ .25 ] .xx ± .02 [ .5 ]      ANGLES ± 5°	
MATERIAL: TEFZEL FLUOROPOLYMER COLOR:-76/AQUA BLUE REG. T.M. OF CHEMOURS CO.	
DRAWING NUMBER: <b>SS-27262</b>	
DRAWN BY BSH	DATE 5/19/00
CHK HVP	SCALE NONE
THIRD ANGLE PROJECTION	
REV	DATE
BY	CHK
APR	DESCRIPTION
ECN	SIZE A
SHT 1 OF 1	

REV	DATE	BY	CHK	APR	DESCRIPTION	ECN
5	10/11/18	RVU	ANRO	JHAC	REVISED FROM DUPONT CO. TO CHEMOURS CO. PN THATADDED "C" TO C76 FROM PN COLUMN. PN, TM3S10-C76 WITH ∅ "I" SHOULD BE .216 [5.5], NOT .193 [4.9]. TOLERANCE, .010 [ .25] WAS .020 [ .5].	GAECN04681
4	9/10/08	ERW			UPDATED DIMENSION 'H'. SEE ECN FOR DETAILS.	SS-27262

NXGLOBAL-ASIZE