



# CRAFT II plus FI (food industry)

Zumtobel Lighting GmbH  
Schweizerstrasse 30  
6850 Dornbirn AUSTRIA

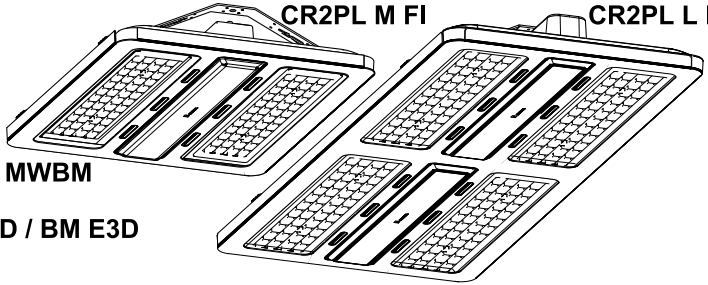


CR2PL M FI  
CR2PL L FI

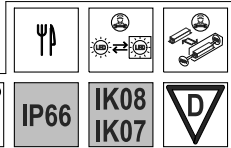
CR2PL M FI

CR2PL L FI

- EVG / LDO
- TEC-IP
- QC3 / QC5
- MWS / MWCF / BM / MWBM
- E3 / E3D / E3DUK
- MWS E3 / MWCF E3D / BM E3D



- PC / PM / CH
- WB / VWB / NB
- AB / WBCG / NBCG



CR2PL-NI



IP66

IK08  
IK07



## EN Mounting instructions

Important notices. Please, read first! Keep the instructions safe! Specifications are subject to change without notice! If you have questions, please contact the manufacturer.

## SV Installationsanvisning

Viktigt information. Läs först! Spara anvisningen! Med reservation för tekniska ändringar! Om du har frågor ber vi dig ta kontakt med tillverkaren.

## DE Montageanleitung

Wichtige Hinweise. Bitte zuerst lesen! Anleitung aufbewahren! Technische Änderungen vorbehalten! Bei Fragen wenden Sie sich an den Hersteller.

## FI Asennusohje

Tärkeä huomautus. Lue ensin! Säilytä käyttöopas! Oikeudet teknisiin muutoksiin pidätetään! Lähetä mahdolliset kysymykset valmistajalle.

## FR Notice de montage

Remarques importantes. À lire en premier lieu! Conservez cette notice! Modifications techniques sans préavis! Si vous avez des questions, veuillez contacter le fabricant.

## RU Инструкция по монтажу

Важная информация. Просьба ознакомиться перед началом работ! Сохраняйте инструкции! Компания сохраняет за собой право на внесение технических изменений. При возникновении вопросов обращайтесь к производителю.

## IT Istruzioni di montaggio

Nota importanti. Si prega di leggere prima! Conservare le istruzioni! Modifiche tecniche senza preavviso! Per chiarimenti rivolgersi al produttore.

## PL Instrukcja montażu

Ważne wskazówki/ uwagi. Proszę pierwsze przeczytać całość instrukcji. Proszę zachować instrukcję! Zastrzegam się prawo do wprowadzania zmian technicznych. W razie pytań skontaktuj się z producentem.

## ES Instrucciones de montaje

Notas importantes. Por favor, lea primero! ¡Guarde las instrucciones! ¡Reservado el derecho de realizar modificaciones técnicas sin preaviso! Si tiene alguna pregunta, póngase en contacto con el fabricante.

## ZH 安装说明

重要提示。请先阅读！保留本说明！请勿执行技术变动！如有问题，请咨询制造商。

## NL Montagehandleiding

Belangrijke informatie. Gelieve eerst te lezen! Houd deze gebruiksaanwijzingen zorgvuldig bij! Technische wijzigingen blijven voorbehouden! Als u vragen hebt, kan u contact opnemen met de fabrikant.

## AR

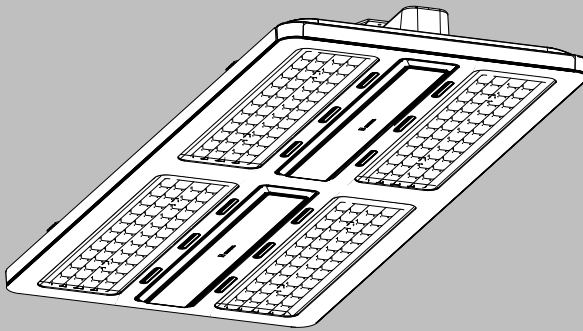
تعليمات التركيب

ملاحظات هامة. يرجى القراءة أولاً!

إبقاء التعليمات!

تخضع المواصفات للتغيير دون تقديم إشعار!

إذا كان لديك أسئلة، الرجاء الاتصال بالشركة المصنعة.



## i OPTIONS



[www.zumtobel.com/craft2](http://www.zumtobel.com/craft2)



### SENSOR OPTIONS

(pages 25-27)

MWS: presence detector

MWCF: pres. detector + Corridor Function

MWBM: presence detector + bmLINK

### EMERGENCY OPTIONS

(pages 28-30)

E3, E3D, E3DUK: self-contained

MWS E3: self-contained + sensor

MWCF E3D: self-contained + sensor

BM E3D: self-contained + bluetooth

all others: centrally supplied

### CONNECTION OPTIONS

QC3, QC5: Quick Connect (pages 18-19)

TEC-IP: TEC-IP-Adapter (pages 20-23)

## i OPTIONS bmLINK

CR2PL FI BM

CR2PL FI MWBM

CR2PL FI BM E3D



DALI via Bluetooth® Mesh



[www.zumtobel.com/bmLINK](http://www.zumtobel.com/bmLINK)

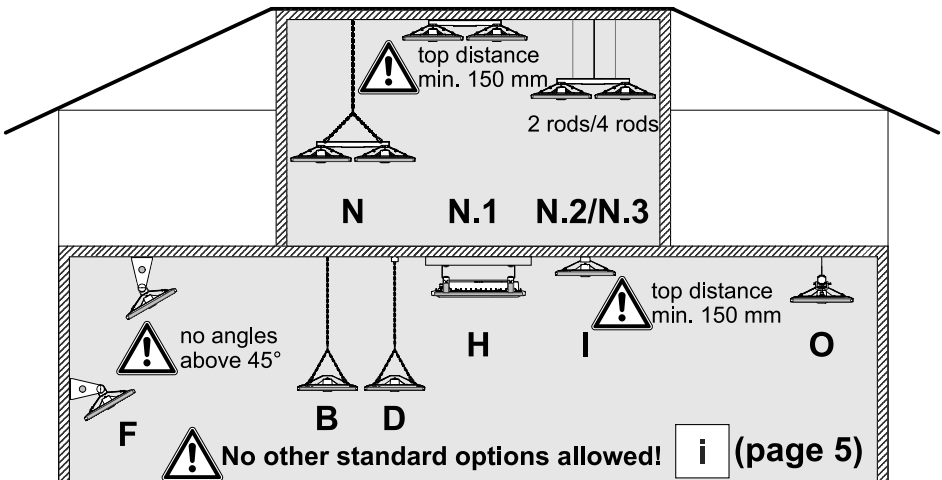


## i IP66

IK08  
IK07



## MOUNTING OPTIONS (overview)



i (page 5)

**i** MOUNTING OPTIONS (ACCESSORIES)

**B** CR2PL M/L FI + Chain page 8

min. 0,38 m max. 1,58 m

22171382  
www.zumtobel.com

OPTION: 20042906

**D** CR2PL M/L FI + OnePoint Chain page 9

min. 0,39 m max. 1,59 m

M 22171406  
L 22171407  
www.zumtobel.com

**F** CR2PL M/L FI + AD/AW pages 10-12

AD AD AD

AW

22171562  
www.zumtobel.com

365 mm

no angles above 45°

**H** CR2PL M/L FI + UK M20 page 13

22171564  
www.zumtobel.com

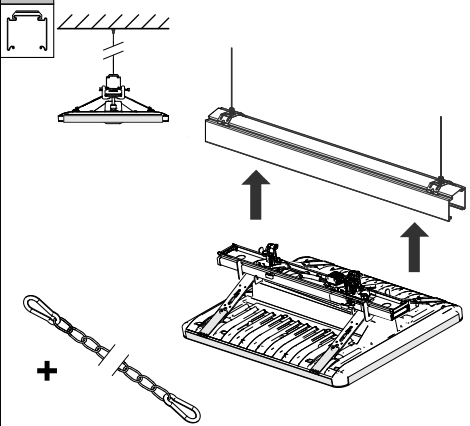
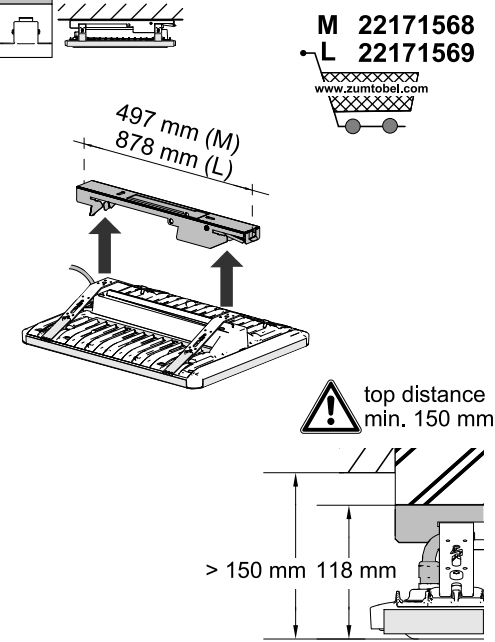
Ø 20,5 mm

165 mm

**i** MOUNTING OPTIONS (ACCESSORIES)

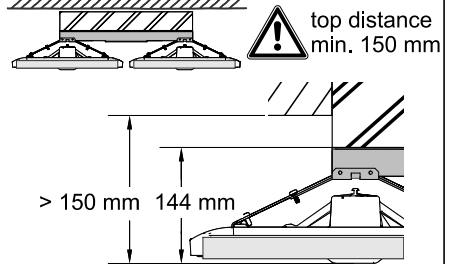
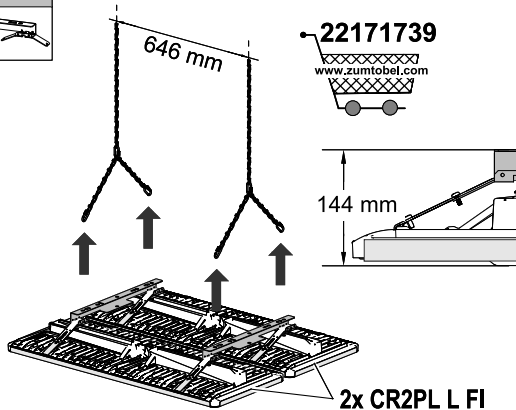
**I** CR2PL M/L FI + ceiling mounting page 14

**O** CR2PL M/L FI TEC-IP pages 20-23

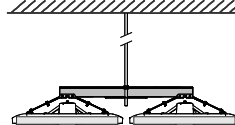


**N** CR2PL L FI + XL mounting set pages 15-16

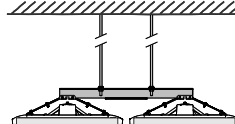
**OPTION N.1 ceiling direct mounting**





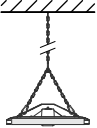
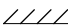

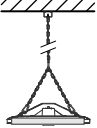

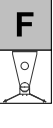
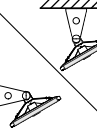



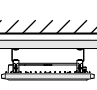

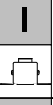
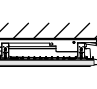


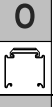
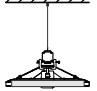
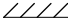



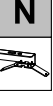
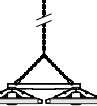





**OPTION N.2 rod mounting (2 rods)**




**OPTION N.3 rod mounting (4 rods)**



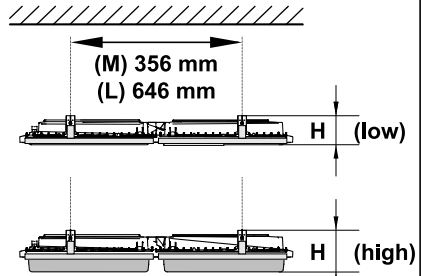
# i MOUNTING OPTIONS

	CR2PL M/L FI	ceiling/ wall	PC	PM	CH	BMxx	MWxx	E3, E3D E3D-UK	
<b>B</b> 			✓	✓	✓	✓	✓	✓	
<b>D</b> 			✓	✓	✓	✓	✓	✓	
<b>F</b> 			✓	✓	✓	✓	✓	✓	 no angles above 45°
<b>H</b> 			✓	✓	✓	✓	✓	✓	
<b>I</b> 			✓	✓	✓	✓	✓	✓	 top distance min. 150 mm
<b>O</b> 			✓	✓	✓				
<b>N</b> 			✓	✓	✓				 top distance min. 150 mm

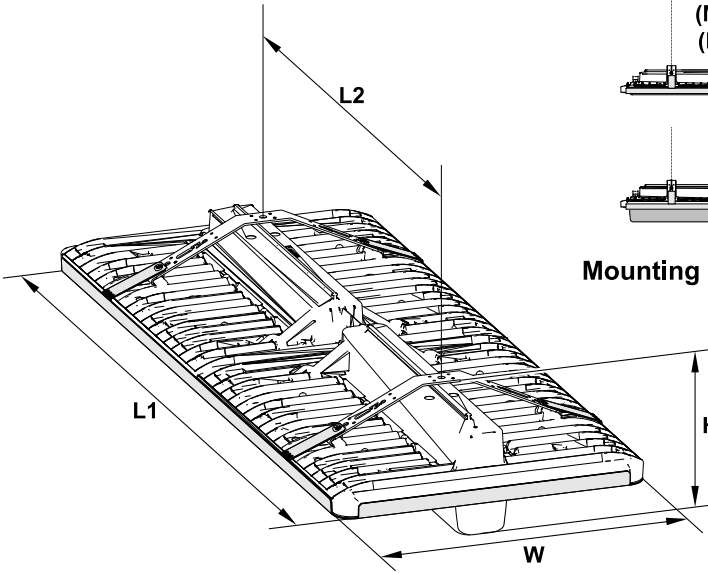
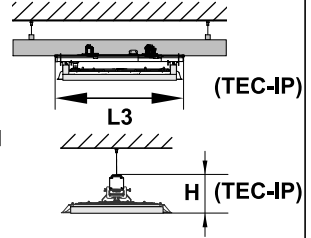
 **No other standard options allowed!**

# i DIMENSIONS

## Mounting Options: B D F H I N



## Mounting Options: O (TECTON)



(low)

Basic Versions:	Length L1	Length L2	Width W	Height H	Weight kg
CRAFT II plus M FI	521 mm	359 mm	417 mm	109 mm	7,5 kg
CRAFT II plus L FI	1028 mm	649 mm	417 mm	109 mm	15,2 kg



(high)

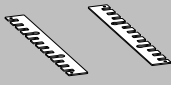
Special Versions: (sensors/bmLINK AND/OR emergency)	Length L1	Length L2	Width W	Height H	Weight kg
CRAFT II plus M FI MWS/MWCF/MWBM/E3/E3D/E3DUK	521 mm	359 mm	417 mm	156 mm	8,7 kg
CRAFT II plus L FI MWS/MWCF/MWBM/E3/E3D/E3DUK	1028 mm	649 mm	417 mm	156 mm	17,5 kg

## TEC-IP

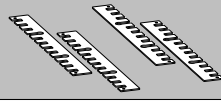
TECTON Versions (TEC-IP):	Length L1	Length L3	Width W	Height H	Weight kg
CRAFT II plus M FI TEC-IP	521 mm	676/558 mm	417 mm	169/185 mm	8,0/8,5 kg
CRAFT II plus L FI TEC-IP	1028 mm	966/1058 mm	417 mm	169/185 mm	15,9/17,2 kg



CR2PL M FI: 2x



CR2PL L FI: 4x



**!** CLOSE ALL TOP NOZZLES

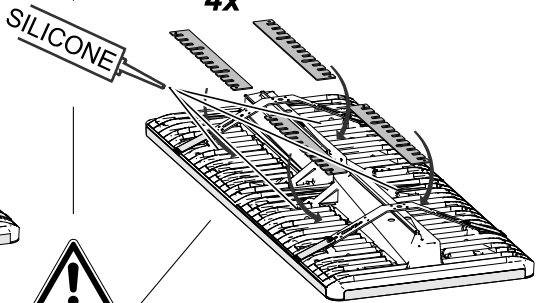
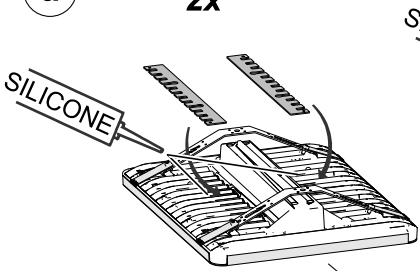
CR2PL M FI

CR2PL L FI

**a**

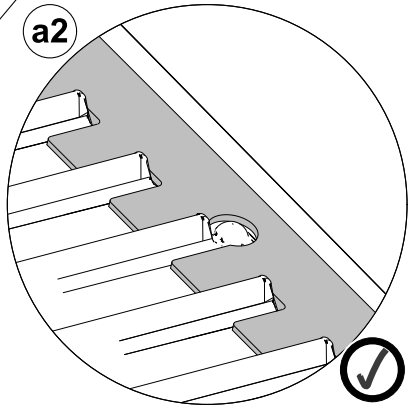
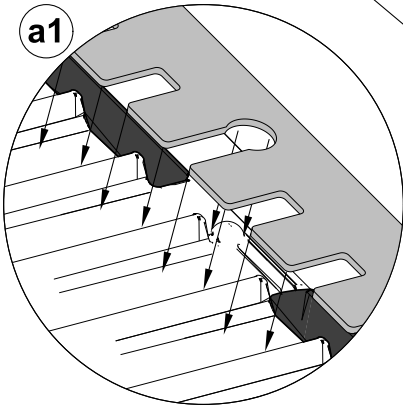
2x

4x

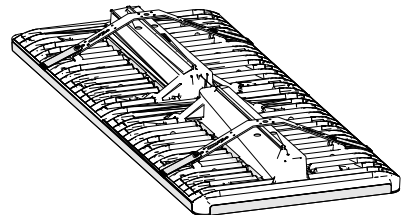
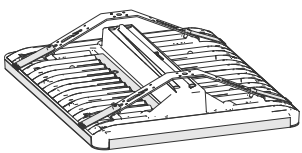


**a1**

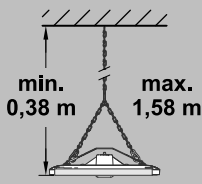
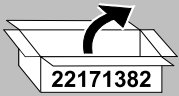
**a2**



**b**



**B**

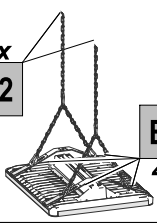


2x

**B2**

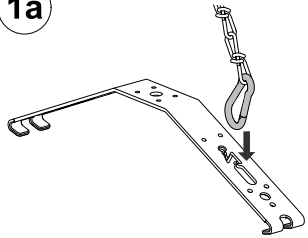
**B1**

4x

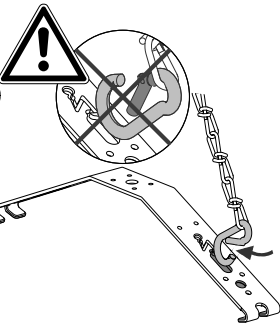


**B1 4x**

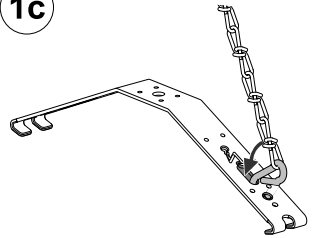
1a



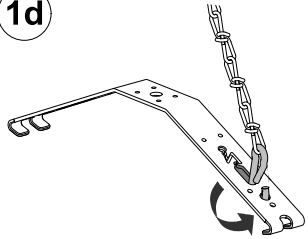
1b



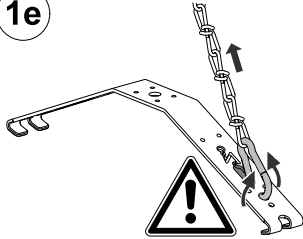
1c



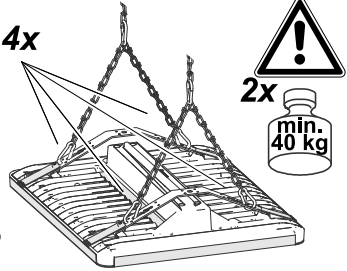
1d



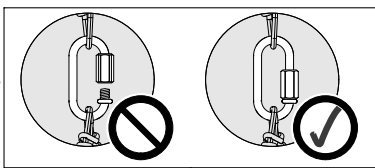
1e



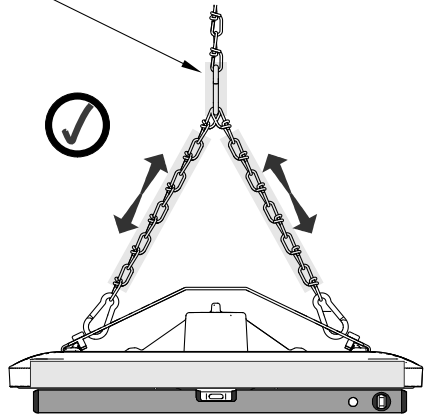
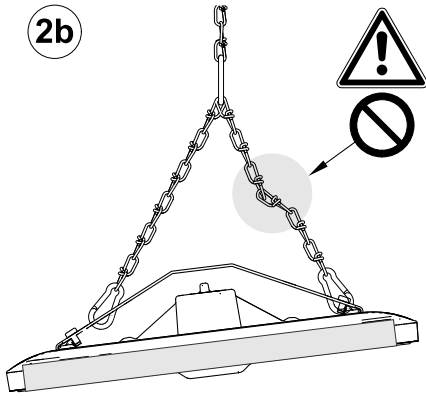
4x



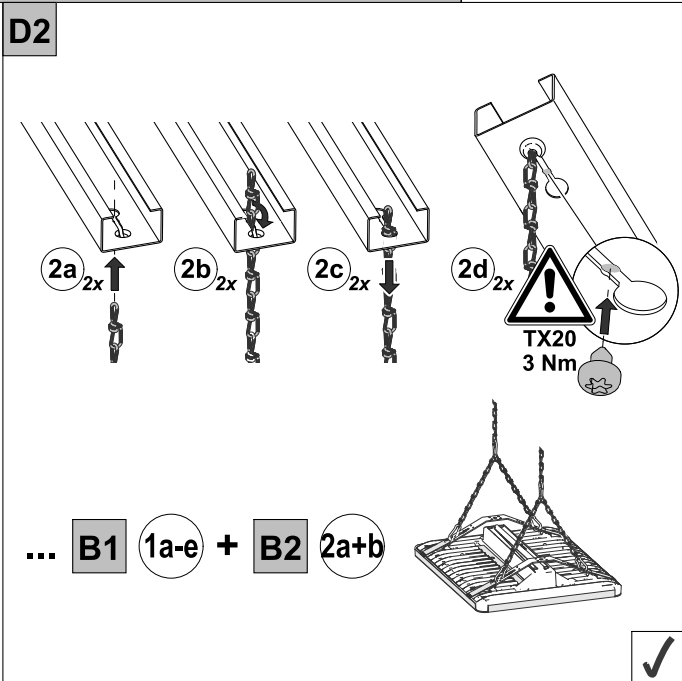
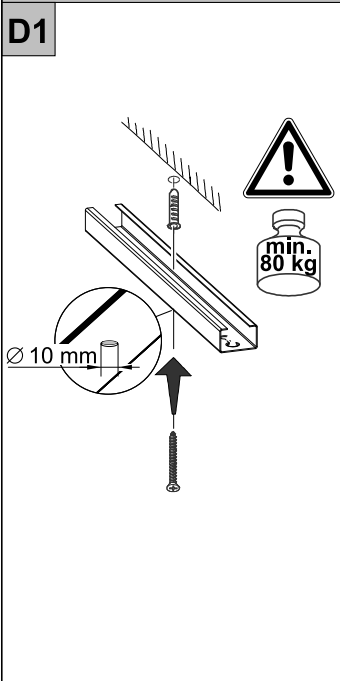
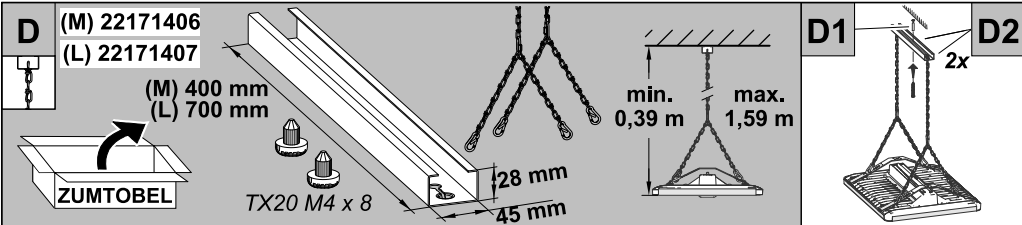
**B2 2a**

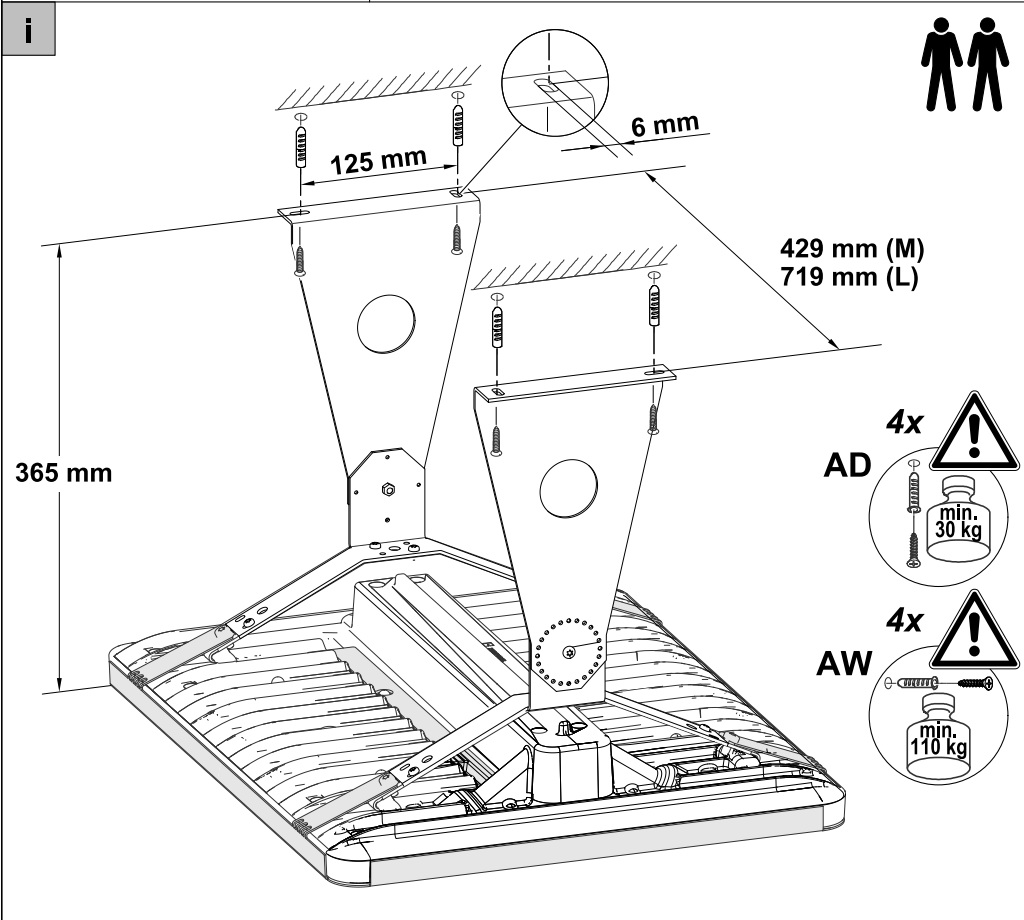
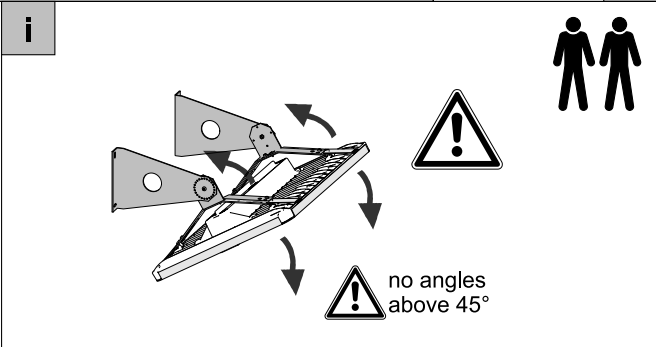
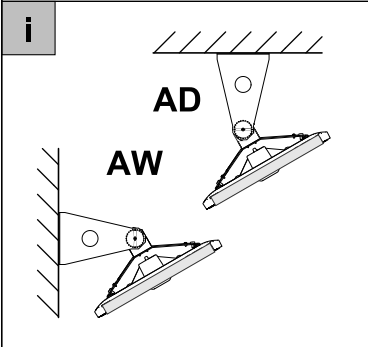
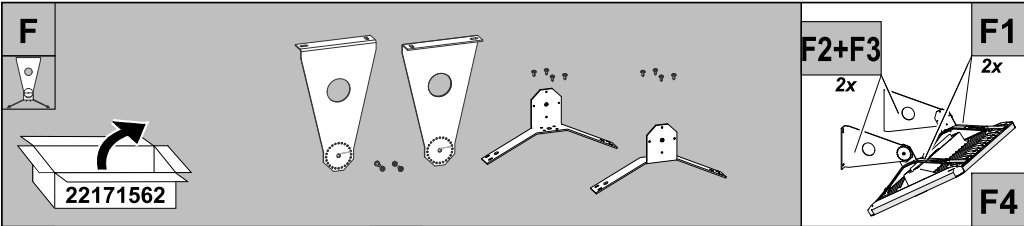


2b

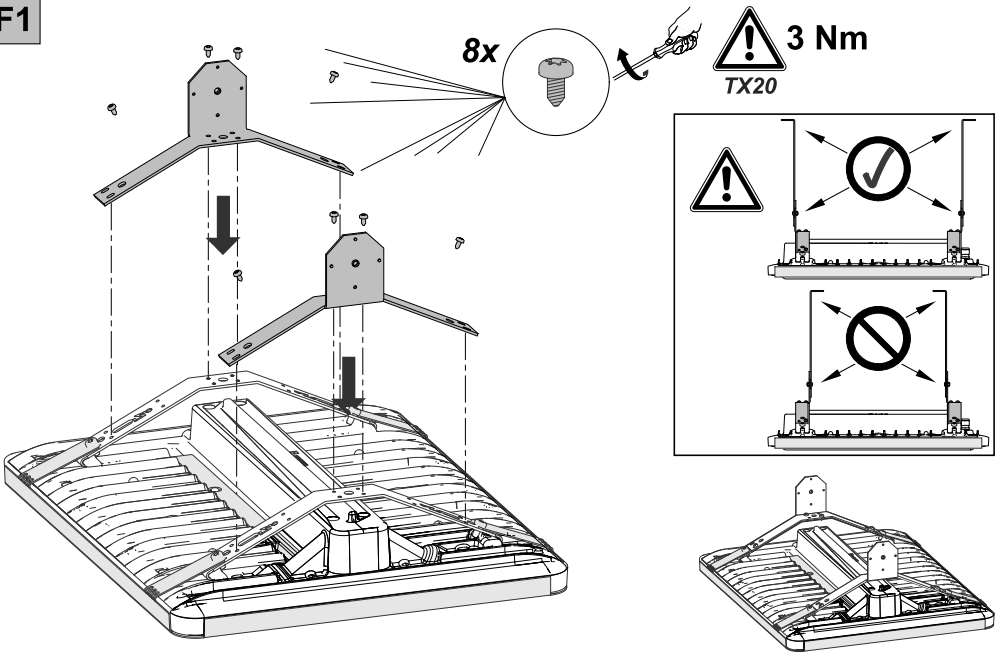




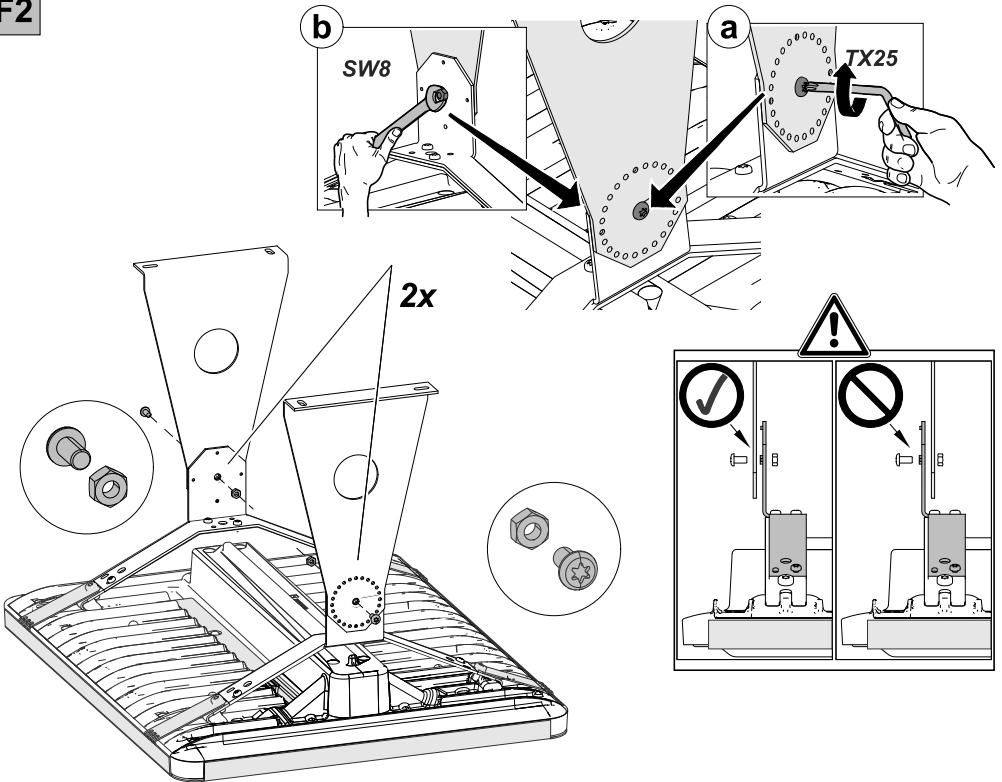




F1



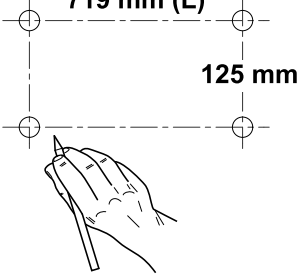
F2



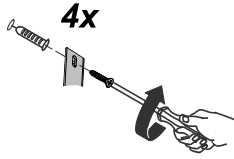
F3

a

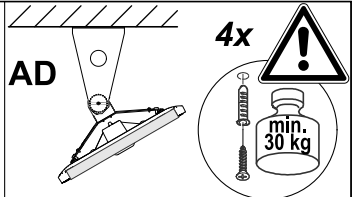
429 mm (M)  
719 mm (L)



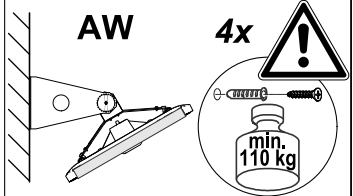
b



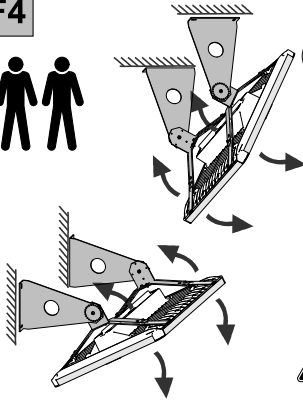
AD



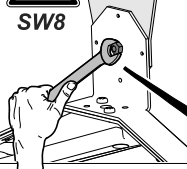
AW



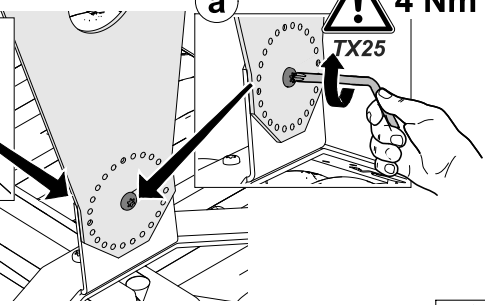
F4



b

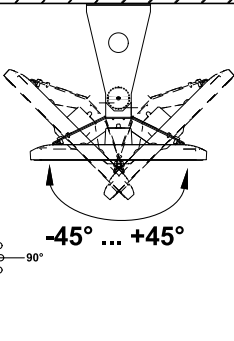


a

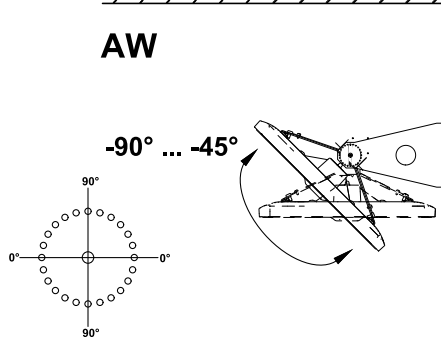


i

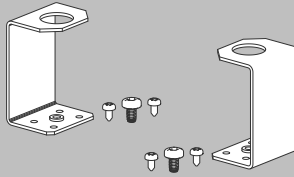
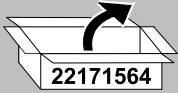
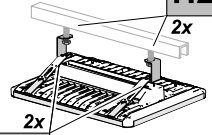
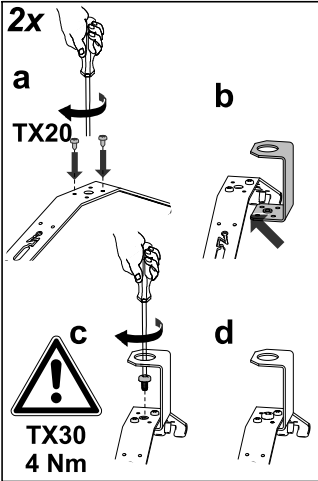
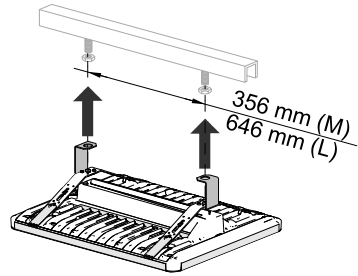
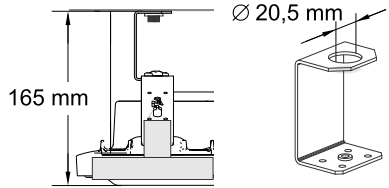
AD



AW



No angles above 45° allowed!

**H****H2****H1****H1****H2**

**I** (M) 22171568  
(L) 22171569

**ZUMTOBEL**

for CR2PL L

for CR2PL M

**11** 2x

**12** 2x

**i**

497 mm (M)  
878 mm (L)

! top distance  
min. 150 mm

> 150 mm 118 mm

**11** a 2x b 2x

260 mm (M)  
550 mm (L)

! min. 40 kg

**12**

a b c

a b c CLIX

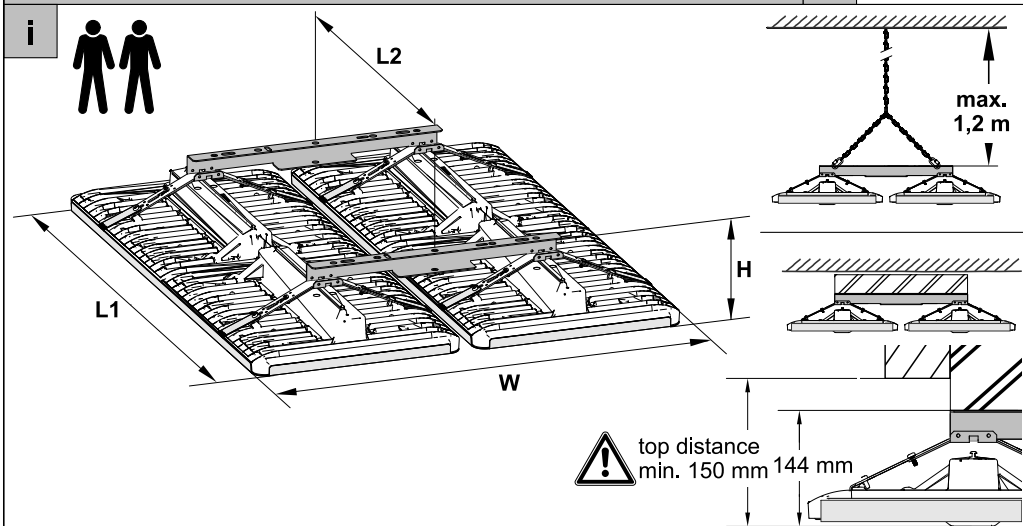
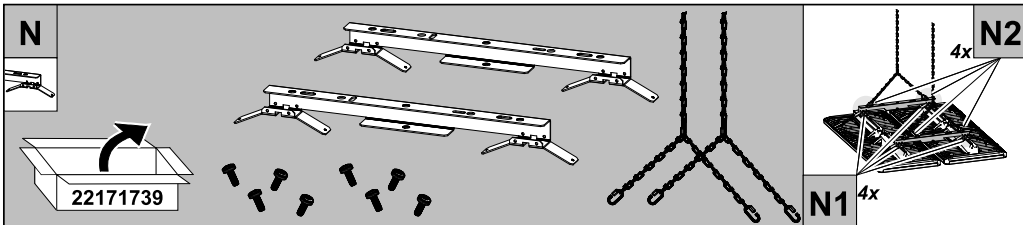
! ⚡

! ✓

✗ ✗ ✗ ✗

**i** **DISMOUNTING**

a b c



XL mounting set:	Length L1	Length L2	Width W	Height H	Weight kg
2x CR2PL L FI (low) + XL mounting set	1028 mm	649 mm	857 mm	144 mm	34,1 kg

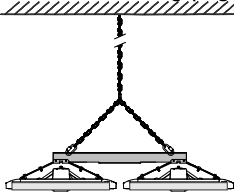
**! CR2PL L FI + XL mounting set: limited temperature Ta**



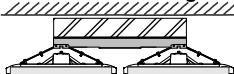
	PC / PM / CH	BMxx / MWxx / E3xx
2x CR2PL L20k FI	max. 55°C	- (not allowed)
2x CR2PL L27k FI	max. 50°C	- (not allowed)
2x CR2PL L35k FI	max. 45°C	- (not allowed)
2x CR2PL L50k FI	max. 40°C	- (not allowed)

**N chain mounting (regular)**

page 16

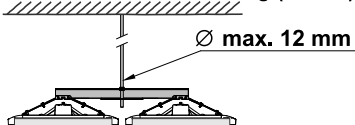


**OPTION N.1 ceiling direct mounting** page 16

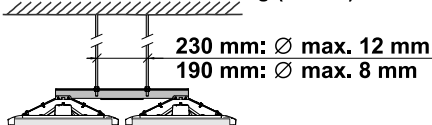


**!** top distance min. 150 mm

**OPTION N.2 rod mounting (2 rods)**

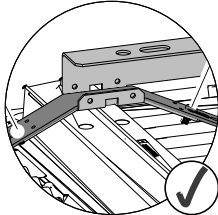
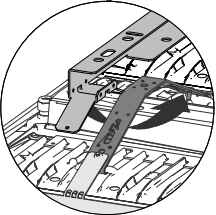
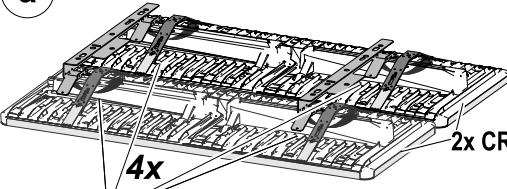


**OPTION N.3 rod mounting (4 rods)**

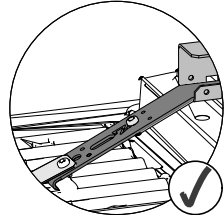
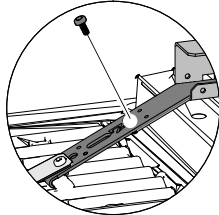
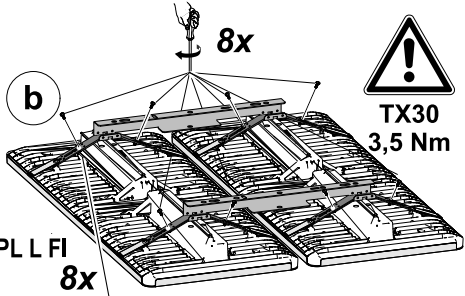


1

a

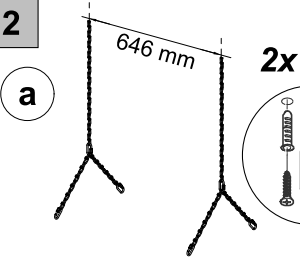


b

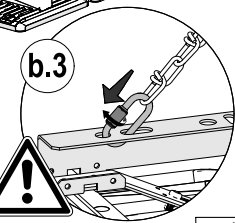
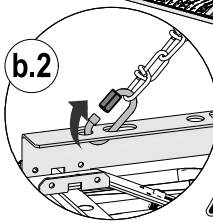
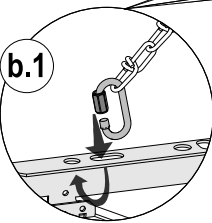
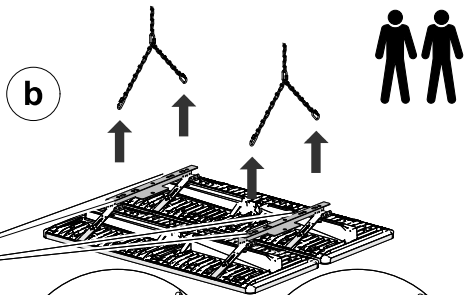


2

a



b

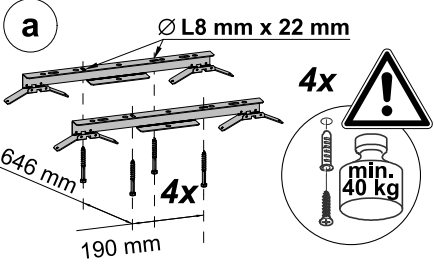


i

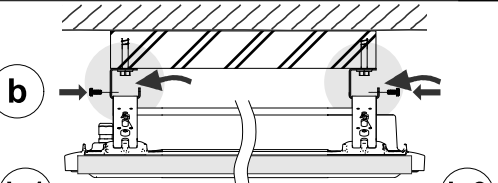
OPTION N.1 ceiling direct mounting



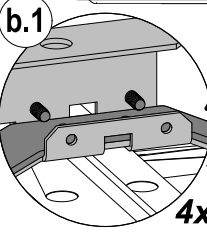
a



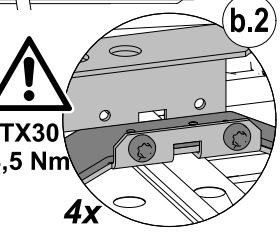
b



b.1

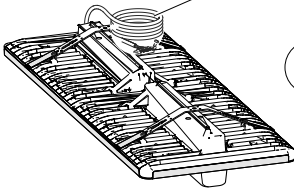
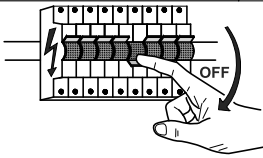


b.2

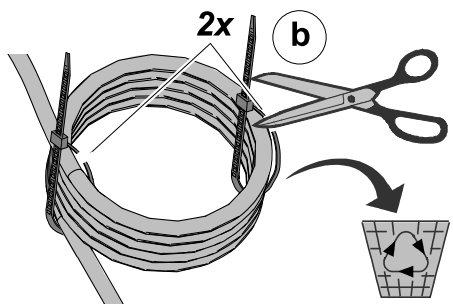
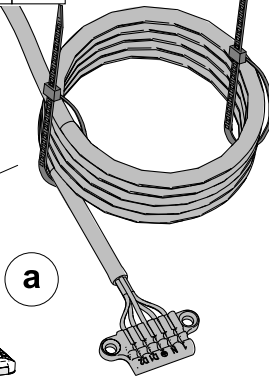




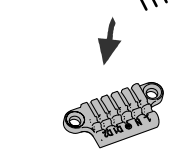
(BDFHIN Ø 3)



a

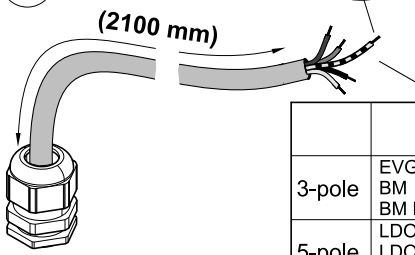


b



c

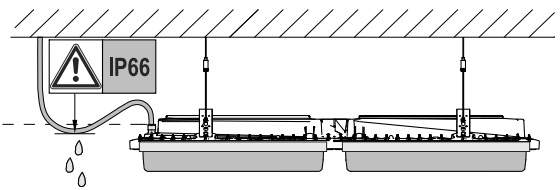
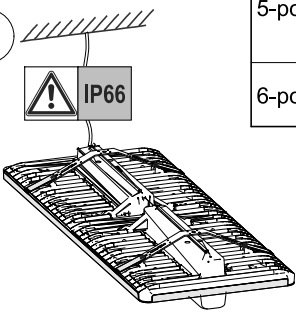
d



only with: 3-pole, 5-pole!

		Brown	Blue	Yellow-Green	Black	Grey	Red
3-pole	EVG BM BM E3D	L1/+ Phase 1	N Neutral	PE Earth			
5-pole	LDO LDO E3 LDO E3D	L1/+ Phase 1	N Neutral	PE Earth	D1 DALI	D2 DALI	
5-pole	MWS MWCF EVG E3 MWBM MWS E3	L1/+ Phase 1	N Neutral	PE Earth	L2/L'	 CUT AWAY GREY	
6-pole	EVG E3D EVG E3D-UK MWCF E3D	L1/+ Phase 1	N Neutral	PE Earth	D1 DALI	D2 DALI	L2/L'

e



**!**

**(DE)** Anschlussklemme nicht beinhaltet, die Installation muss von einer qualifizierten Person erfolgen.

**(EN)** Terminal Block not included, installation must be performed by a qualified person.

**(FR)** Bornier non inclus, l'installation doit être réalisée par une personne qualifiée.

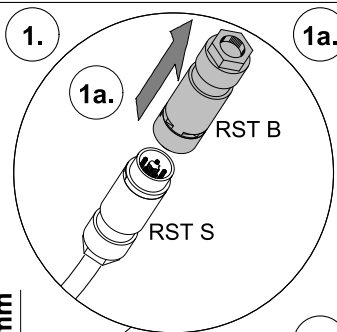
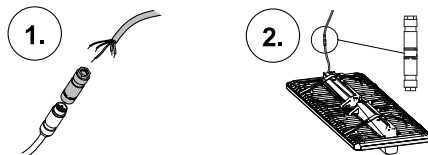
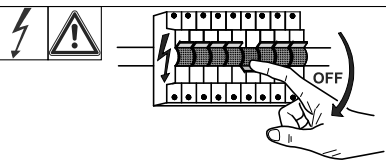
**(IT)** Morsetti non inclusi, installazione deve essere realizzata da personale qualificato.

**(NL)** De aansluitklem is niet inbegrepen, deze moet van een gekwalificeerd persoon worden geïnstalleerd.

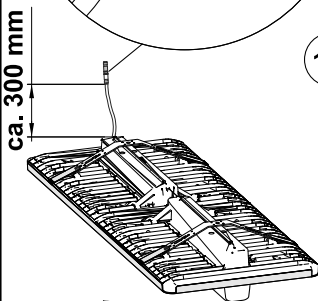
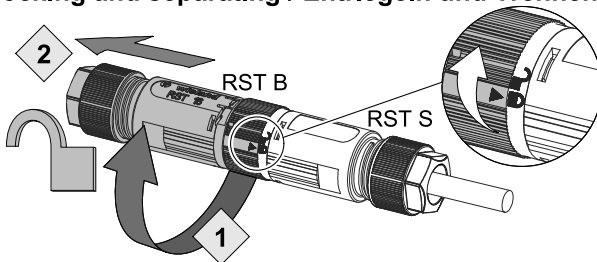
WIELAND RST16i3 connector  
3 pole, female 46.031.4553.1



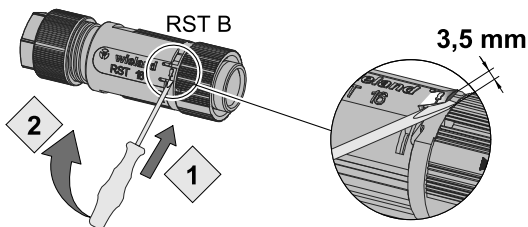
WIELAND RST16i5 connector  
5 pole, female 46.051.4553.6



**1a. Unlocking and separating / Entriegeln und Trennen**



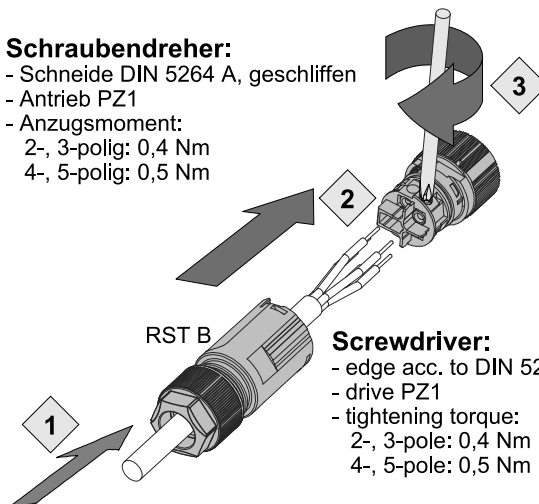
**1b. Opening the connector / Öffnen des Steckverbinders**



**1c. Wire connection / Leitermontage**

**Schraubendreher:**

- Schneide DIN 5264 A, geschliffen
- Antrieb PZ1
- Anzugsmoment:  
2-, 3-polig: 0,4 Nm  
4-, 5-polig: 0,5 Nm



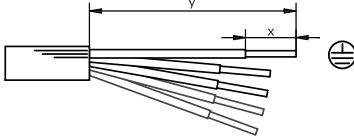
**Screwdriver:**

- edge acc. to DIN 5264 A, deburred
- drive PZ1
- tightening torque:  
2-, 3-pole: 0,4 Nm  
4-, 5-pole: 0,5 Nm

**i** Conductor information

**Dismantling and insulation strip lengths (mm) / Abmantellängen und Absolierlängen (mm)**

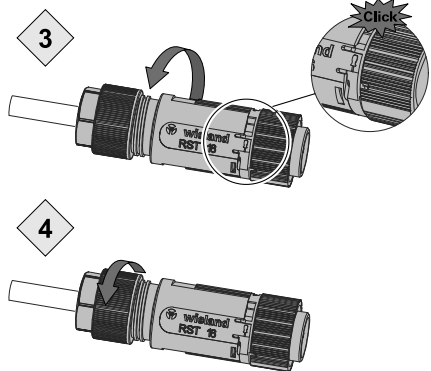
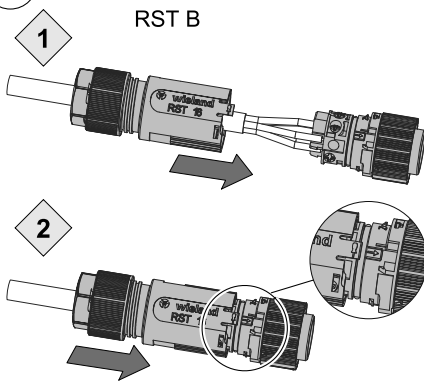
Leiter / Conductor	Einfach-Anschluss / Connector	
Abmantellänge y (mm) / Dismantling length y (mm)	PE	N, L, 1, 2, 3
Absolierlänge x (mm) / Insulation strip length x (mm)	30	25
	8	



**Connectable conductor types / Anschließbare Leiterquerschnitte**

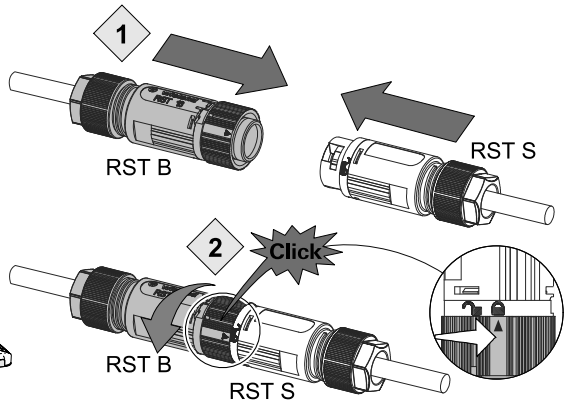
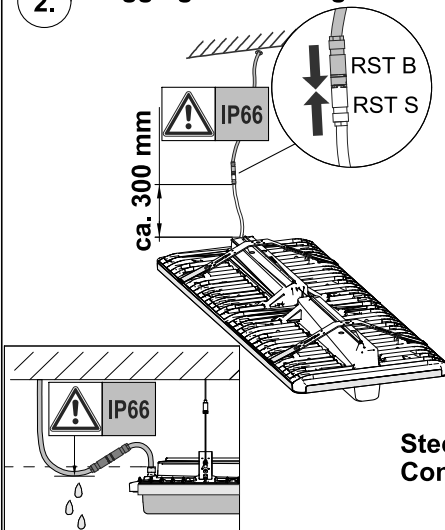
HINWEIS / NOTE		
* Die Schraubklemmenanschlüsse aller RST sind zum Anschluss von unvorherbereiteten Leitern nach EN 60999-1 geeignet.		
* RST terminals with screw clamping allow the connection of conductors without special preparation according to EN 60999-1.		
	feindrätig / fine stranded	eindrätig / solid
2-, 3-polig / 2-, 3-pole	0,25 - 1,5 mm <sup>2</sup> (bis 1,0 mm <sup>2</sup> mit Aderendhülsen verwendbar / up to 1,0 mm <sup>2</sup> usable with ferrules)	0,20 - 1,5 mm <sup>2</sup>
4-, 5-polig / 4-, 5-pole	0,25 - 2,5 mm <sup>2</sup> (bis 1,5 mm <sup>2</sup> mit Aderendhülsen verwendbar / up to 1,5 mm <sup>2</sup> usable with ferrules)	0,20 - 2,5 mm <sup>2</sup>

**1d. Closing the connector / Verschließen des Steckverbinders**



**Verschraubung:** Anzugsmoment typ. 1,5 - 2 Nm  
**Screw connection:** Tightening torque typ. 1,5 - 2 Nm

**2. Plugging and locking / Stecken und Verriegeln**



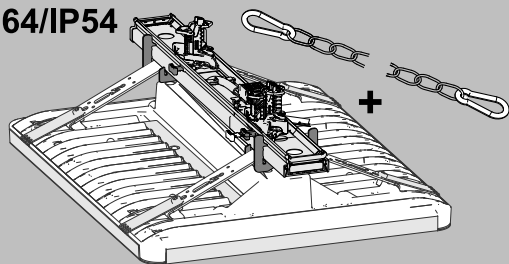
**Steckverbinder verriegelt automatisch. Connector locks automatically.**



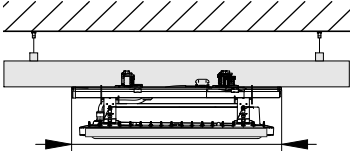
# O CRAFT II plus FI TECTON IP64/IP54



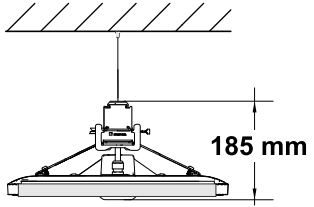
- CR2PL M FI TEC-IP
- CR2PL L FI TEC-IP



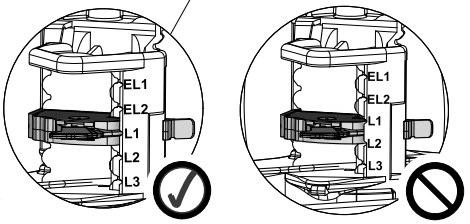
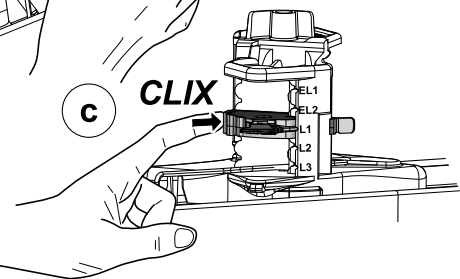
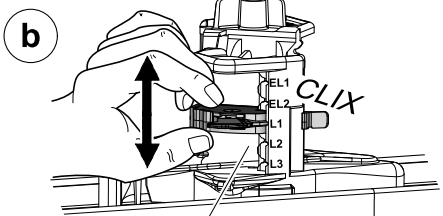
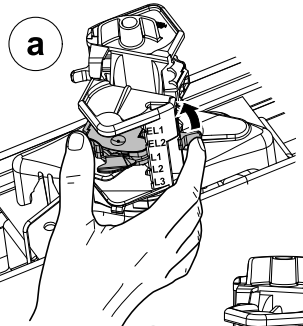
i



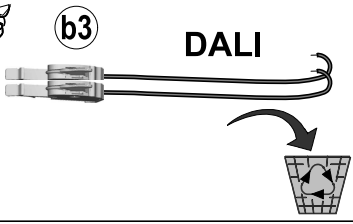
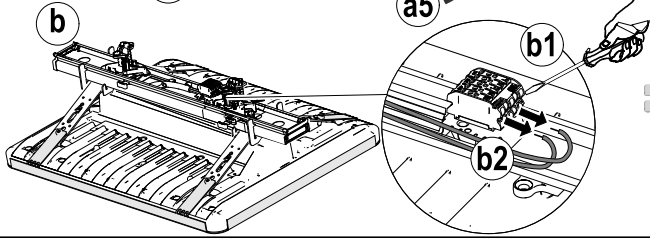
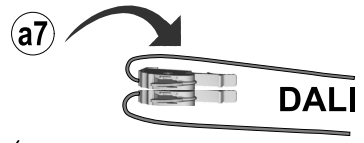
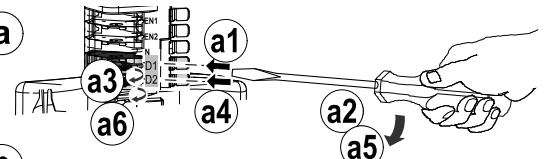
(CR2PL M FI TEC-IP) 555 mm  
(CR2PL L FI TEC-IP) 1055 mm



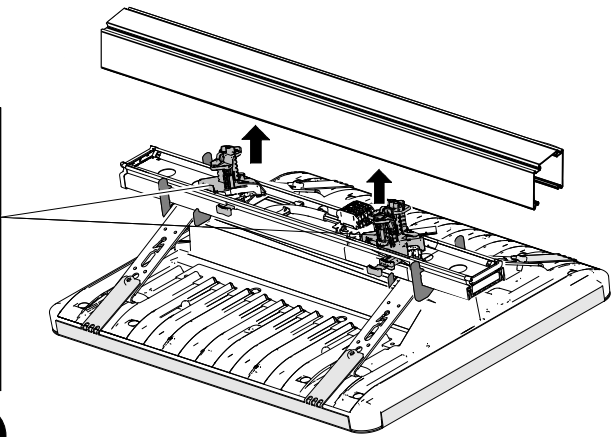
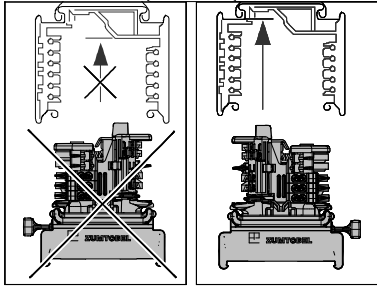
## 01 CR2PL M / L FI TEC-IP



## (02) OPTION: CR2PL M / L FI TEC-IP (non-DALI)

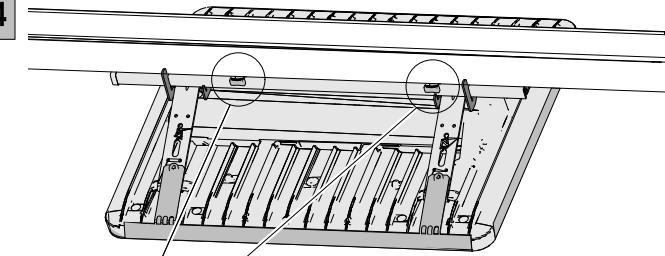


03

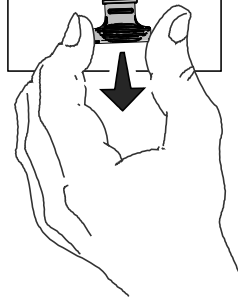
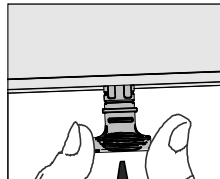
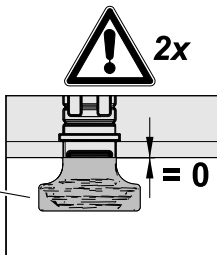
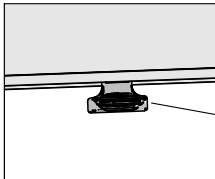
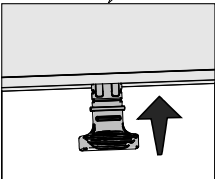


04

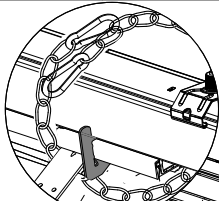
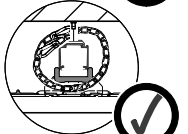
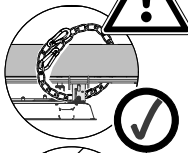
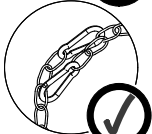
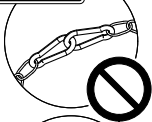
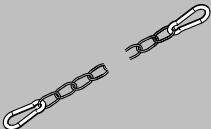
i



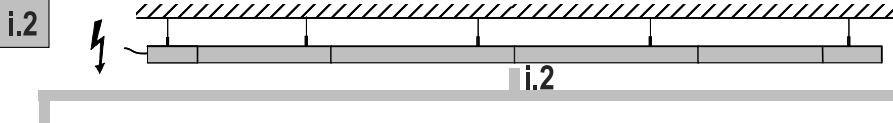
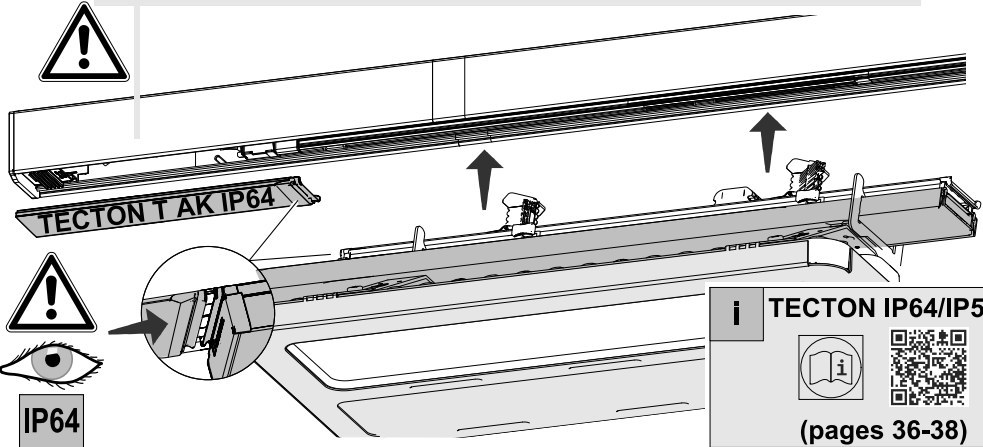
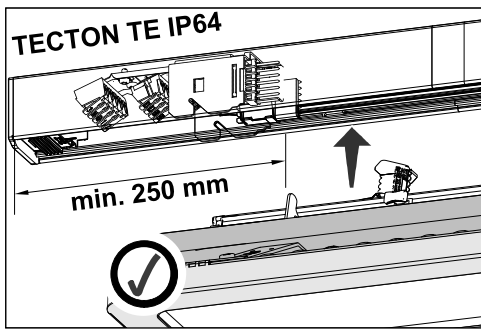
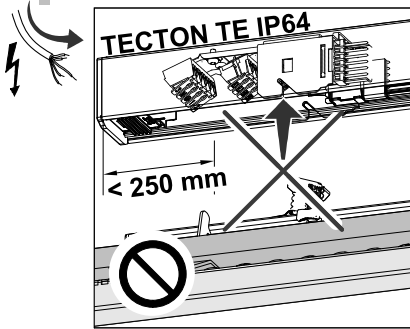
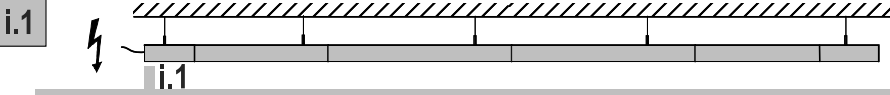
2x



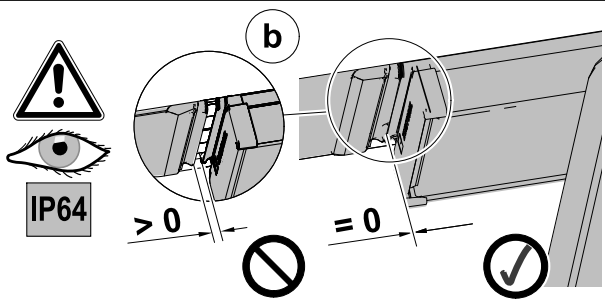
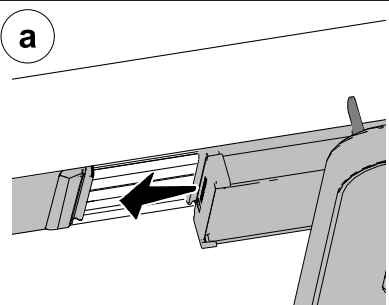
05



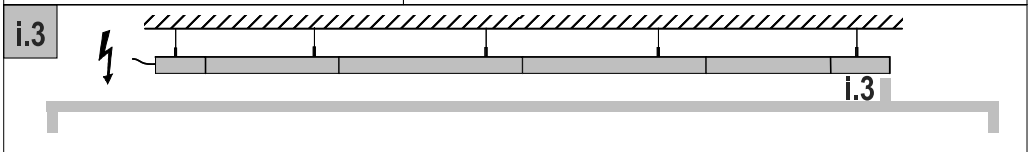
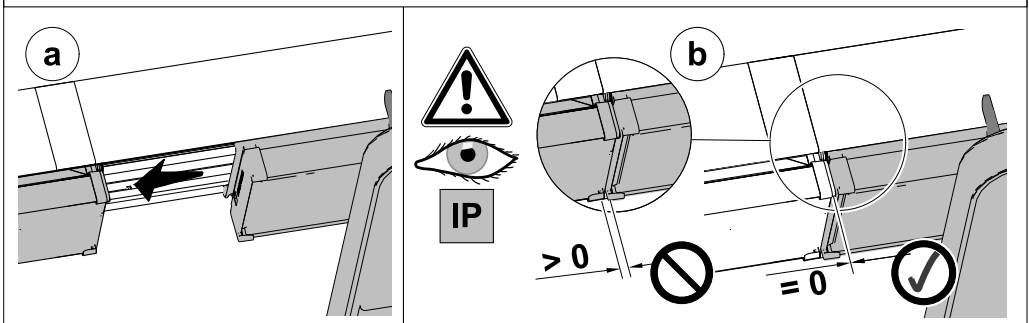
**i** POSITIONING OPTIONS: CR2PL M / L FI TEC-IP



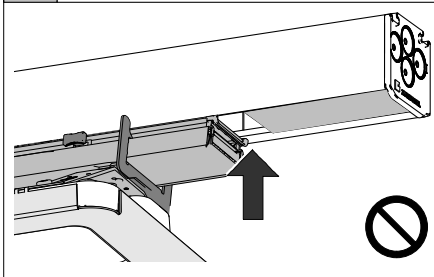
**OPTION 1: CR2PL M / L FI TEC-IP + TECTON T AK IP64**



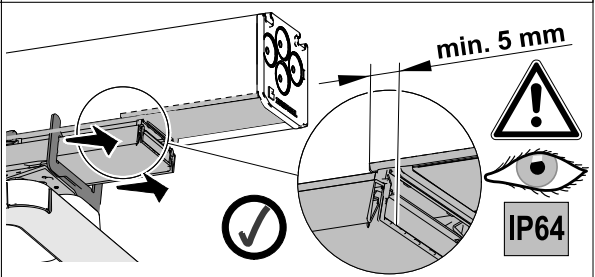
# OPTION 2: CR2PL M / L FI TEC-IP + TECTON GP profile



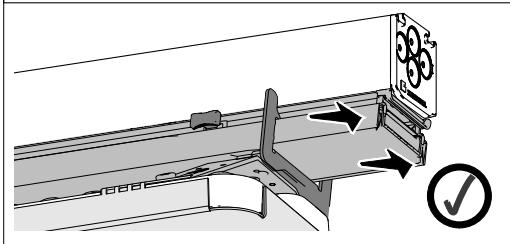
## ! CR2PL M / L FI TEC-IP



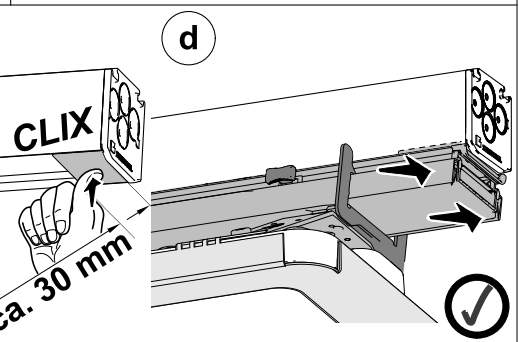
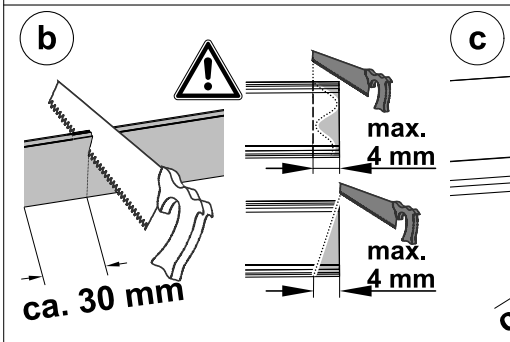
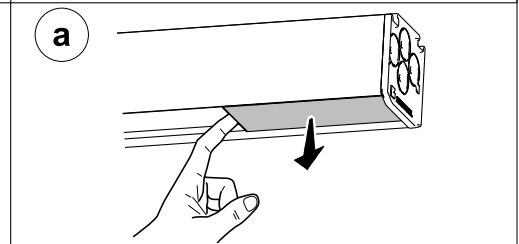
## OPTION 1: CR2PL M / L FI TEC-IP



## OPTION 2: CR2PL M FI TEC-IP ONLY

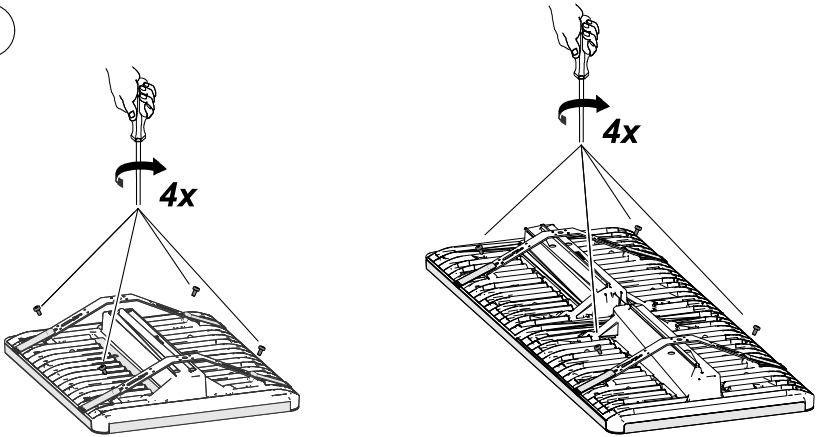


## OPTION 3: CR2PL L FI TEC-IP ONLY

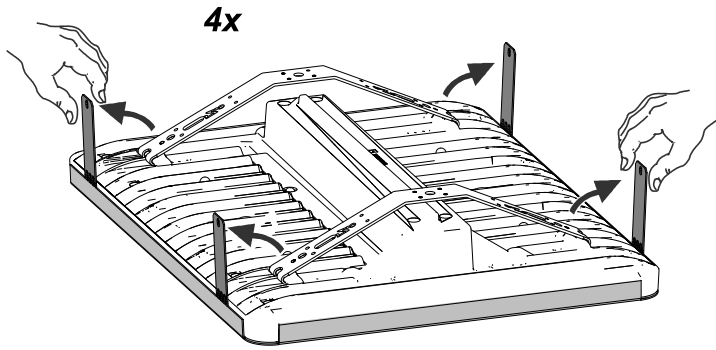


# i REMOVAL OF FOOD COVER

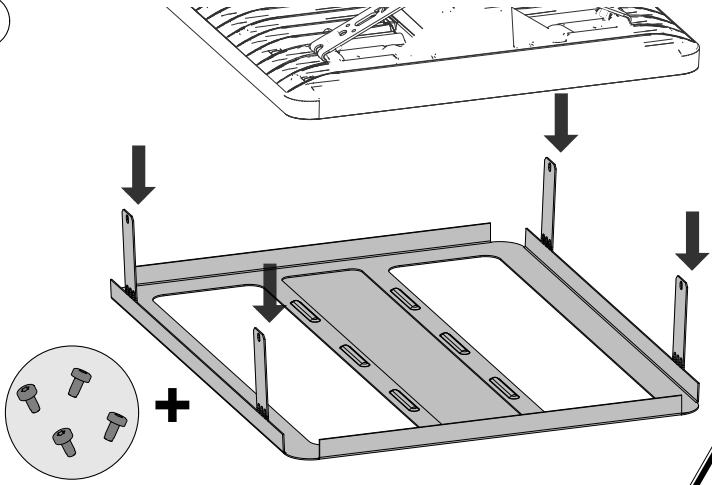
a



b



c

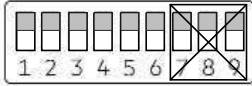
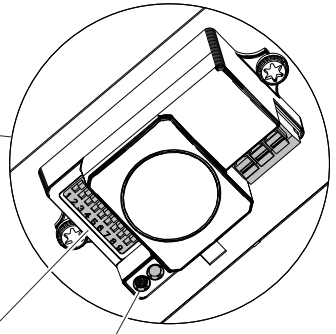
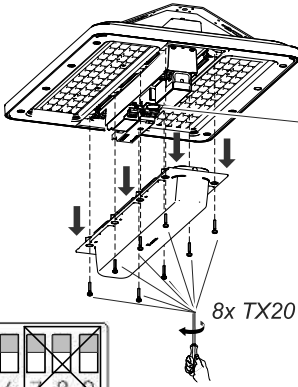




(B D F H I N ~~Ø~~ 4)

OPTION SENSORS: MWS + MWCF  
(TRIDONIC smartSWITCH 28003498)

i



Hold time

NOT IN USE

DIP-Switches

LED indication

Sensitivity



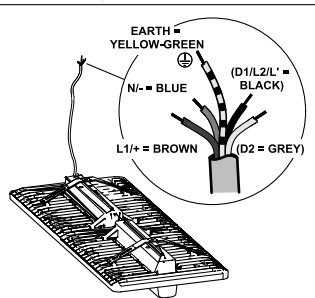
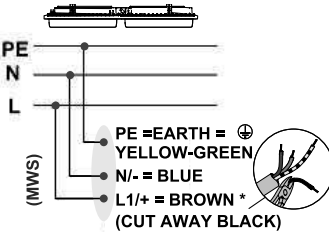
[www.tridonic.com/28003498](http://www.tridonic.com/28003498)



07/20-C0127-1 Subject to change without notice. Information provided without guarantee.  
Tridonic GmbH & Co KG, [www.tridonic.com](http://www.tridonic.com), [info@tridonic.com](mailto:info@tridonic.com), Tel. +43 5572 395-0

## i Wiring Diagrams (MWS, MWCF)

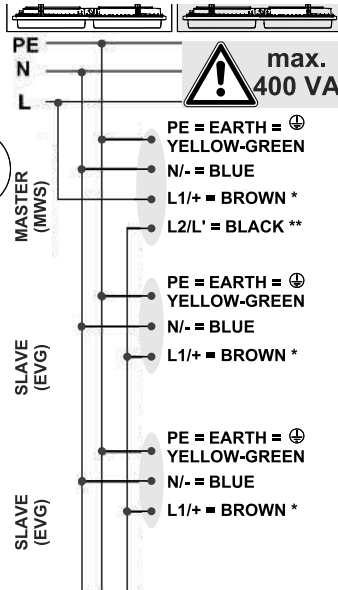
### ON/OFF (MWS) Stand-alone



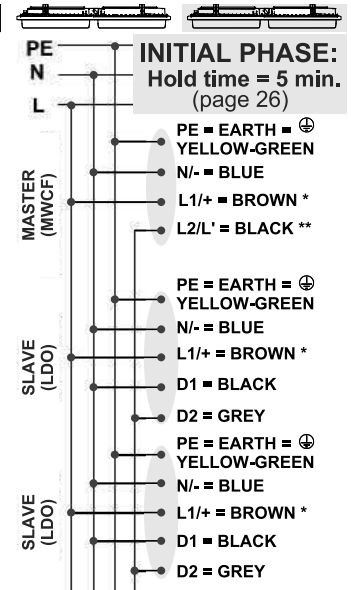
\*L1 = L .. permanent line

\*\*L2 = L' .. switched line

### ON/OFF (MWS) Master-Slave



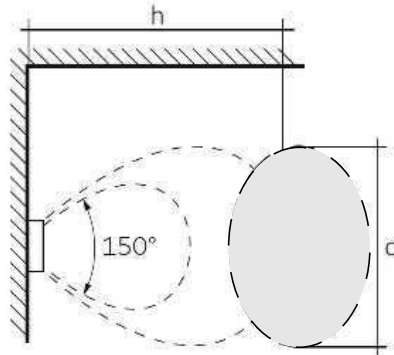
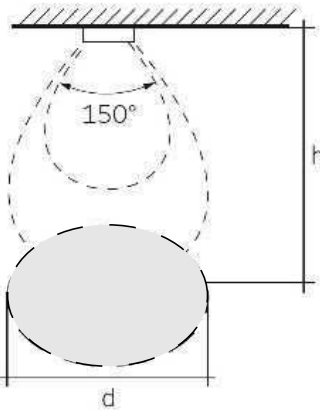
### Corridor Function (MWCF) Master-Slave



**i** Motion detection area

**Ceiling mounted**

**Wall mounted**



**Sensitivity**

h	Sensitivity	
	100 %	75 %
5 m	12 m	9 m
6 m	12 m	8 m
7 m	12 m	6 m
8 m	12 m	5 m
9 m	12 m	4 m
10 m	12 m	3 m
11 m	10 m	2 m
12 m	10 m	1 m



**Values may differ significantly!**

Reflected HF waves (e.g. of walls, floors, ceilings or furniture) from other transmitters affect motion detection.



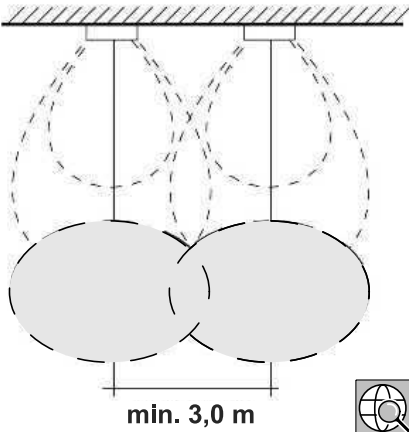
[www.tridonic.com/28003498](http://www.tridonic.com/28003498)



**i**

	1	2	3	Sensitivity		MWBM	MWCF
I	●	●	●	100 % (default)	●	✓	✓
II	○	●	●	75 %	■	✓	✓
III	○	●	○	50 %	□	✓	✓
IV	○	○	●	30 %	○	✓	✓
V	○	○	○	10 %	○	✓	✓
	4	5	6	Hold time			
I	●	●	●	5 s (default)	●	✓	✓
II	●	○	●	30 s	■	-	✓
III	●	○	○	1 min	□	-	✓
IV	○	●	●	5 min	○	-	✓
V	○	●	○	10 min	○	-	✓
VI	○	○	●	20 min	○	-	✓
VII	○	○	○	30 min	○	-	✓

**i** Distance between luminaires



**Trouble Shooting Guide**

(Problem => possible Reasons => Actions)

**Fitting does not switch off**

1. Continuous movements within detection area => Check area
2. Fitting is vibrating => Check surface and mounting

**Fitting switches on without clear movements**

1. Fitting is vibrating => Check surface and mounting
2. Non visible movements (behind a wall) => Check area

**Fitting does not switch on despite clear movements**

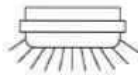
1. Detection area is too small => Check mounting instructions
2. Sensitivity is set too low => Extend sensitivity on sensor



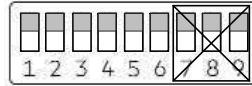
[www.tridonic.com/28003498](http://www.tridonic.com/28003498)



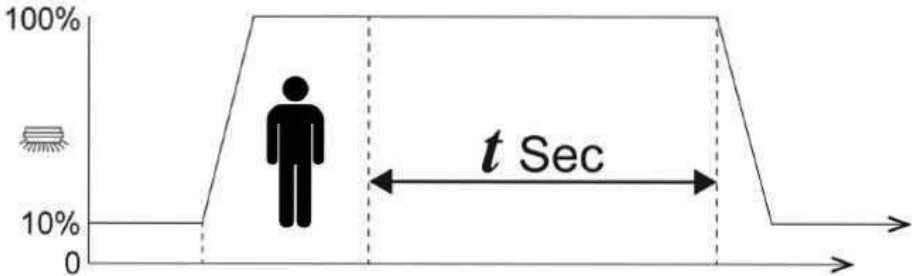
**i** Corridor Function (MWCF, MWRF)



100% → 10%



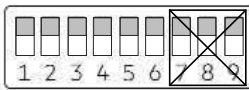
**Hold time**  
(page 26)



**i** BMS: bmLINK + MWCF Sensor  
DALI via Bluetooth® Mesh

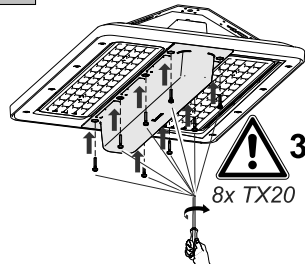


[www.zumtobel.com/bmLINK](http://www.zumtobel.com/bmLINK)



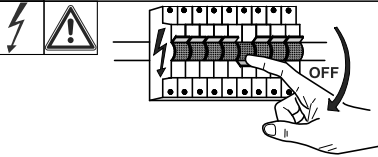
**Hold time must be set to  
minimum setting: I = 5 sec.**  
(page 26)

**i**

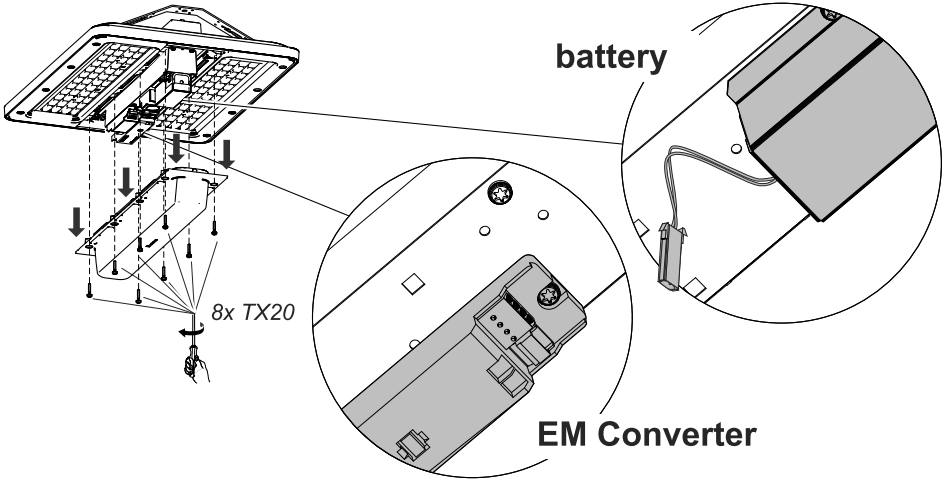


(B D F H I N Ø 5) OPTION EMERGENCY: self-contained (battery)

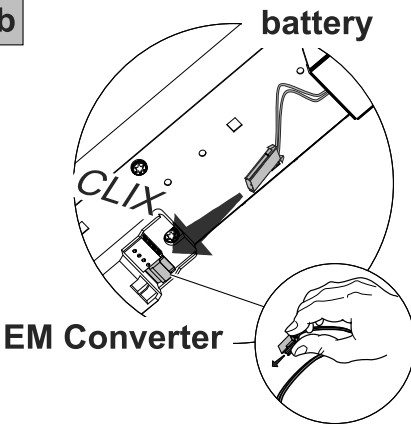
i E3, E3D, E3DUK, MWS E3, MWCF E3D, BM E3D



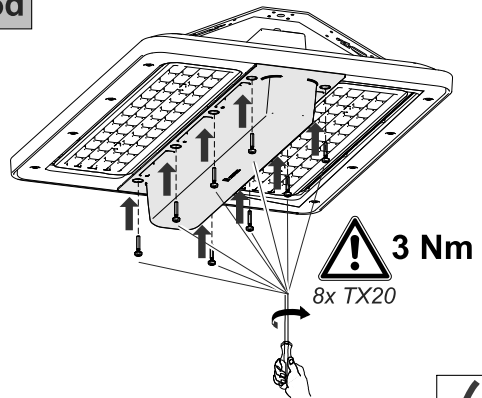
5a



5b

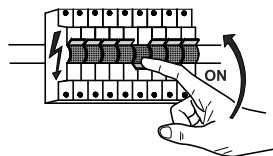
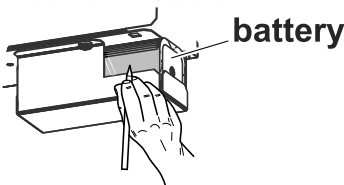


5d




5c

Commissioned Date:  
Inbetriebnahmedatum:

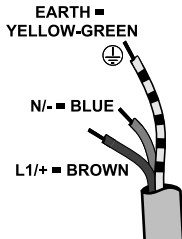


i

		Brown	Blue	Yellow-Green	Black	Grey	Red
3-pole	BM E3D	L1/+ Phase 1	N Neutral	PE Earth			
5-pole	LDO E3 LDO E3D	L1/+ Phase 1	N Neutral	PE Earth	D1 DALI	D2 DALI	
5-pole	EVG E3 MWS E3	L1/+ Phase 1	N Neutral	PE Earth	L2/L'		
6-pole	EVG E3D EVG E3D-UK MWCF E3D	L1/+ Phase 1	N Neutral	PE Earth	D1 DALI	D2 DALI	L2/L'

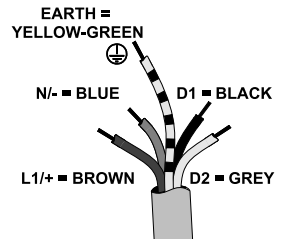
i

**BM E3D**



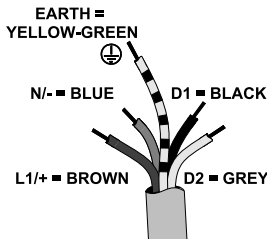
i

**LDO E3**



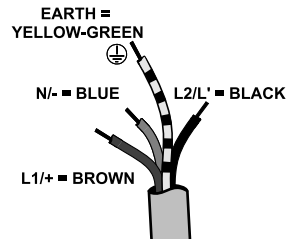
i

**LDO E3D**



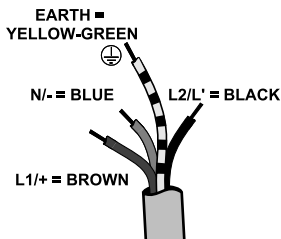
i

**EVG E3**



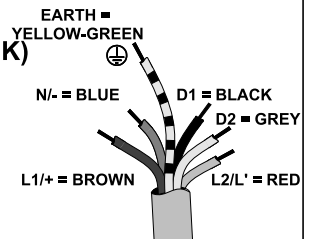
i

**MWS E3**



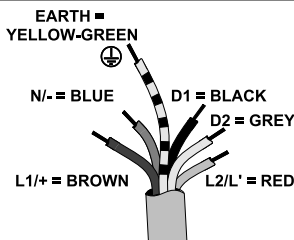
i

**EVG E3D (EVG E3D-UK)**



i

**MWCF E3D**

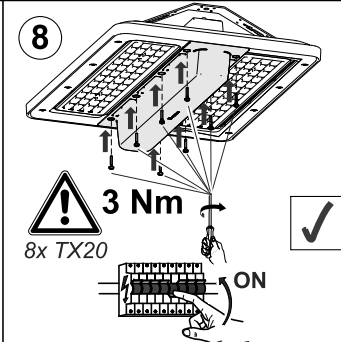
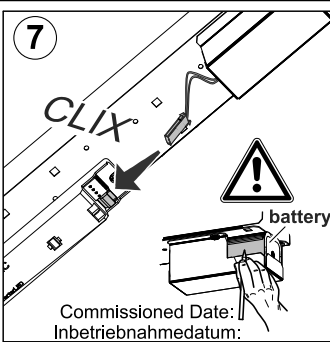
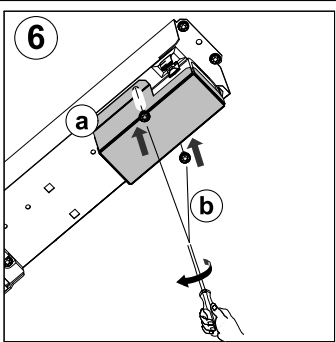
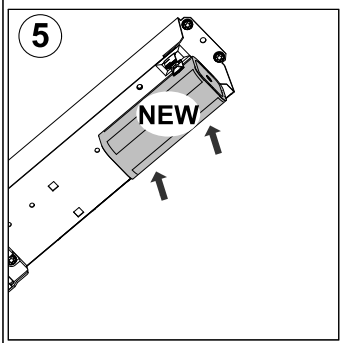
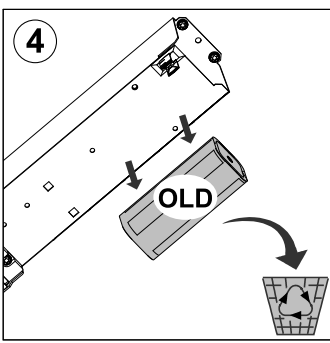
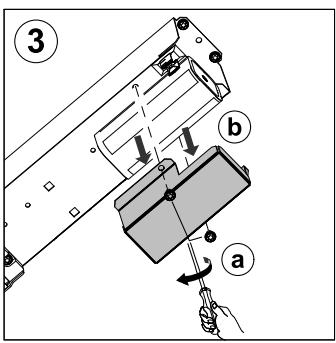
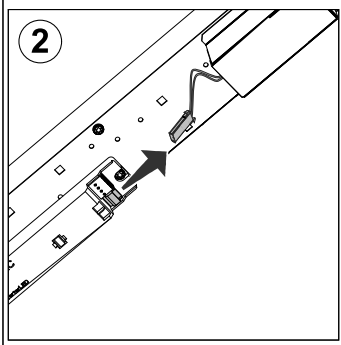
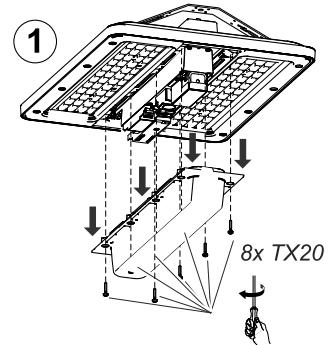
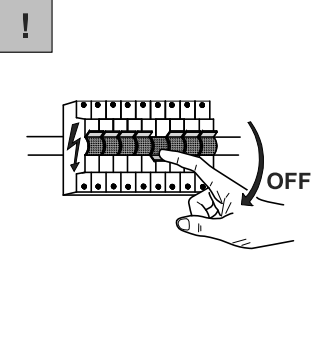


(B D F H I N ~~Ø~~)

i



# Change battery

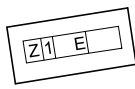


(B D F H I N ~~Ø~~)

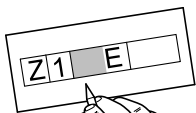
## OPTION EMERGENCY: centrally supplied

i

1



2 OPTION!



3

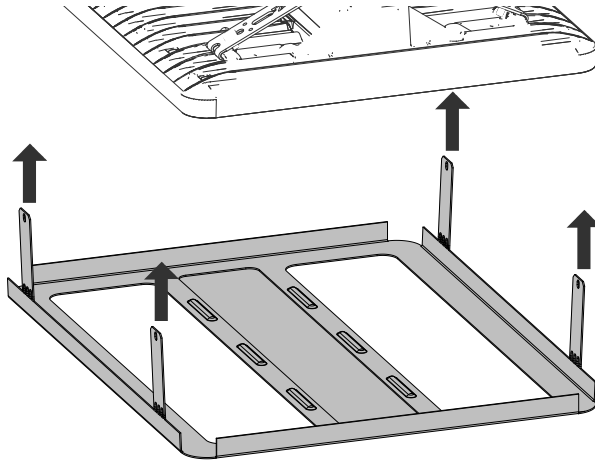


(acc. IEC/EN 60598-2-22)

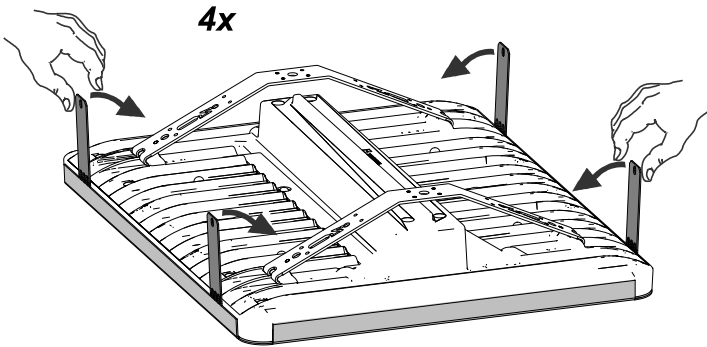


# i RE-MOUNTING OF FOOD COVER

a

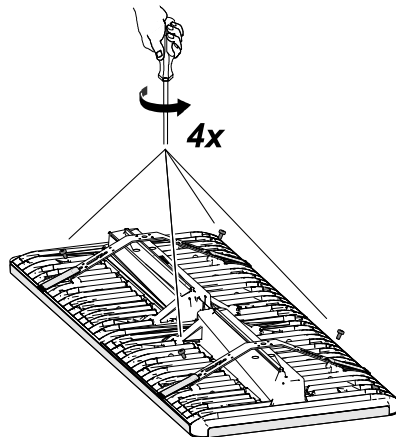
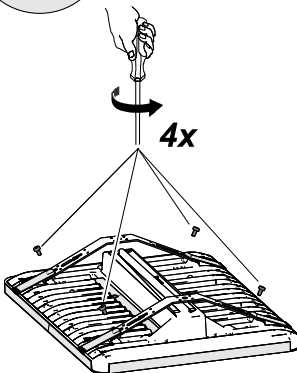
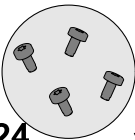


b



c

+  
page 24



## **(DE) Hinweise für die Montage und den Betrieb!**

Die Montage und Inbetriebnahme der Leuchte sowie jede Veränderung an der Leuchte darf nur von autorisierten Fachkräften (qualifizierter Elektriker) durchgeführt werden. Die nationalen Errichterbestimmungen sind zu beachten. Vor jeder Arbeit an der Leuchte ist diese vom Netz zu trennen. **Hot Plug-in ist nicht möglich und kann zu Schäden an der Leuchte führen!**



Der Hersteller haftet nicht für Schäden, die aus fehlerhafter Montage, unsachgemäßem Betrieb oder unautorisierten Veränderungen an der Leuchte resultieren.

**Vorsicht, Gefahr eines elektrischen Schlags.**

Technische Änderungen vorbehalten! Bei Fragen wenden Sie sich an den Hersteller.

## **(EN) Instructions for installation and operation!**

The installation and commissioning of the luminaire as well as any modification to the luminaire may only be performed by authorized personnel (qualified electrician). National installation regulations must be observed. Before any work on the appliance is done, it must be disconnected from mains.

**Hot plug-in is not an option and may cause damage to the lamp or luminaire!**



The manufacturer is not liable for damages resulting from improper or faulty installation or operation or from unauthorized modifications to the luminaire.

**Caution, risk of electric shock!** Specifications are subject to change without notice!

If you have questions, please contact the manufacturer.

## **(FR) Instructions pour l'installation et l'utilisation!**

L'installation et la mise en service du luminaire ainsi que toute modification au luminaire doivent être effectuées par un personnel autorisé (électricien qualifié). Les règles nationales d'installation doivent être respectées. Avant toute intervention sur l'appareil, il doit être débranché de son alimentation.

**Le branchement à chaud est interdit, et peut endommager à la lampe ou le luminaire!**



Le fabricant décline toute responsabilité pour les dommages résultant d'une mauvaise installation ou opération, ou d'une modification non autorisée du luminaire.

**Avertissement, risque de choc électrique.** Sous réserve de modifications des spécifications techniques! Pour toute question, contactez le fabricant.

## **(IT) Istruzioni per l'installazione e il funzionamento!**

L'installazione e la messa in servizio degli apparecchi, nonché qualsiasi modifica dell'apparecchio può essere eseguita solo da personale autorizzato (elettricista qualificato). Le norme nazionali di installazione devono essere rispettate. Prima di qualsiasi intervento sull'apparecchio, questo deve essere scollegato dalla rete.

**Non è possibile un Hot Plug In e può causare danni alla lampada o all'apparecchio!**



Il produttore non si assume alcuna responsabilità per i danni derivanti da un'installazione impropria o difettosa, o per modifiche non autorizzate apportate all'apparecchio.

**Attenzione, rischio di folgorazione!** Modifiche tecniche sono soggette a cambiamenti senza preavviso! Se avete domande, si prega di contattare il produttore.

## **(NL) Aanwijzingen voor installatie en bediening!**

De installatie en inbedrijfstelling van het armatuur, alsook elke wijziging in of aan het armatuur mogen alleen door bevoegd personeel (elektricien) worden uitgevoerd. De nationale installatie voorschriften moeten worden nageleefd. Voor alle werkzaamheden aan het apparaat, moet deze worden losgekoppeld van het net.

**Hot plug-in is niet mogelijk en kan schade aan de lichtbron of het verlichtingstoestel veroorzaken!**



De fabrikant is niet aansprakelijk voor schade als gevolg van onjuiste of foutieve installatie, bediening of schade welke het gevolg zijn van niet geautoriseerde wijzigingen aan het armatuur.

**WAARSCHUWING: Gevaar voor elektrische schokken.**

Technische wijzigingen voorbehouden! Als u vragen hebt, kunt u contact opnemen met de fabrikant.

## **i Info on (non-) replaceability:**

