

## Scheda dati | Codice articolo: 770-674

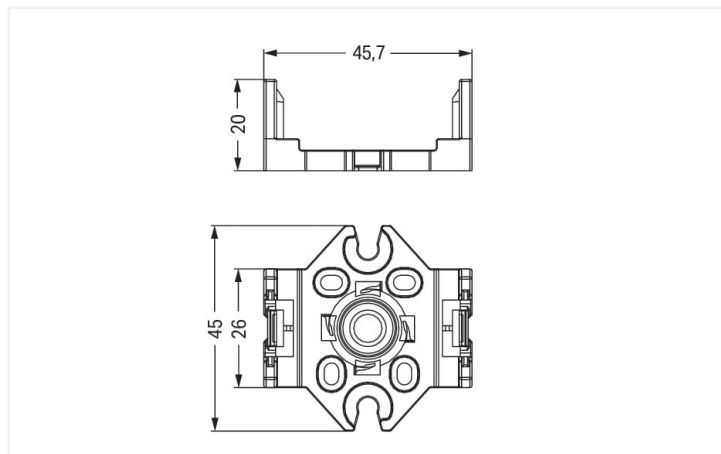
Piastra di montaggio; 4 poli; per connettori di distribuzione; plastica; bianco



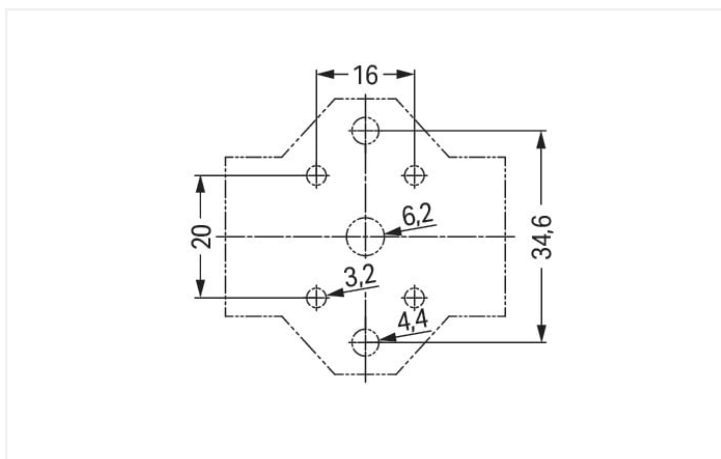
<https://www.wago.com/770-674>



Colore: ■ bianco



Misure in mm



Misure in mm

### Mounting accessories WINSTA® MIDI 4-pole

Realize your installation project effortlessly: The mounting accessories from the WINSTA® MIDI product line is the product of your choice for quick, straightforward installation. You can rely on the level of quality of WINSTA® components from WAGO for your electrical installation accessories too. WINSTA® MIDI with Push-in CAGE CLAMP® spring pressure connection technology is found in can be found in a variety of projects you can use for quick, easy, flexible, and secure installation.

Push-in CAGE CLAMP® spring pressure connection technology – pluggable installation instead of laborious screw connections!

The WINSTA® Pluggable Connection System is ideally tailored to the strict requirements of building installation. It makes electrical installation pluggable, and consequently more efficient, more reliable, and error-free. Use of this pre-assembled system decreases assembly times and errors during installation at the construction site. Choose durability and quality – the WINSTA® MIDI accessory from WAGO makes the installation of electrical components noticeably easier.

- for automation controllers
- rapid, structured electrical installation

### Dati di connessione

### Connessione 1

N. poli 4

### Dati meccanici

Tipo montaggio Fissaggio a vite  
 Adatto per connettori di distribuzione (eccetto distributore tipo T); 4 poli

### Dati dei materiali

Nota sui dati dei materiali [Information on material specifications can be found here](_blank)

Colore bianco  
 Materiale isolante Poliammide (PA66)  
 Classe di infiammabilità secondo UL 94 V0  
 Carico d'incendio 0.184 MJ  
 Peso 6,1 g

### Requisiti ambientali

Temperatura di lavorazione -5 ... +40 °C  
 Temperatura operativa continua -35 ... +85 °C  
 Nota sulla temperatura operativa continua Parti isolanti per temperature ≤ 105 °C

### Dati commerciali

eCl@ss 10.0 27-44-06-92  
 eCl@ss 9.0 27-44-06-92  
 ETIM 8.0 EC002863  
 ETIM 7.0 EC002863  
 PU (SPU) 25 pz.  
 Tipo imballaggio Box  
 Paese d'origine DE  
 GTIN 4044918451437  
 Numero tariffa doganale 39269097900

### Environmental Product Compliance

RoHS Compliance Status Compliant, No Exemption

### Download

#### Environmental Product Compliance

##### Compliance Search

Environmental Product Compliance 770-674



### Documentation

Bid Text			
770-674	19.02.2019	xml 2.55 KB	<a href="#">↓</a>
770-674	13.01.2015	doc 22.50 KB	<a href="#">↓</a>

## CAD/CAE-Data

CAD data	CAE data
2D/3D Models 770-674 <a href="#">↓</a>	WSCAD Universe 770-674 <a href="#">↓</a>
	ZUKEN Portal 770-674 <a href="#">↓</a>

## 1 Prodotti compatibili

### 1.1 Accessori opzionali

#### 1.1.1 Montaggio

##### 1.1.1.1 Accessori di montaggio



**N. art.: 890-601**

Fixing pin; 5 mm Ø, for 1.5 ... 2.5 mm mounting plates; Plastic; black

**N. art.: 770-601**

Fixing pin; 6 mm Ø, for 2.5 ... 4.0 mm mounting plates; Plastic; black