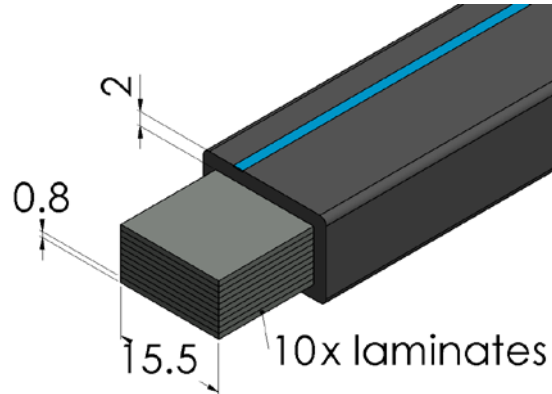


## Product Datasheet

### CFX5050



#### Main

Family	Insulated copper flexible bars	
Version	Coflex Plus	
Standard length (m)	2	
Width (mm)	15.5	
Code	CFX5050	
Reference	CFP 10X15.5X0.8	
Number per package	4	
Weight (kg)	2.41	
Cross section (mm <sup>2</sup> )	124	
In (A) vs ΔT	Rated Intensity (A)	Temperature rise ΔT
	394	35 °C
	<b>504</b>	<b>55 °C</b>
	573	70 °C
	709	105 °C

Disclaimer: This documentation is not intended as a substitute for and is not to be used for determining suitability or reliability of these products for specific user applications

## Technical Features

### Conductor

Tinned electrolytic copper: Cu-ETP – EN 13599

Laminate thickness: 0.8 mm

### Insulation

TPE compound

Black color with a light blue line

Low smoke emission

Self-extinguishing UL 94-V0

Halogen free

Thickness: 1,9 mm ± 0,2 mm

Dielectric rigidity: 20 kV/mm

Class II according to Par. 8.4.4 IEC 61439-1

Recyclable

### Finished Product

Rated voltage: 1000 V AC/1500 V DC

Working temperature: -40 °C to 140 °C

### In vs. $\Delta T$

$I_n$  = Rated current A

$\Delta T$  = Temperature rise °C

$\Delta T = T_f - T_a$

$T_f$  = Working temperature °C

$T_a$  = Room temperature °C

Table of ampacities (A) are based on temperature rise  $\Delta T$  as per **IEC 61439-1** with reference to the room temperature of 35°C.

For derating coefficient for the use of bars in parallel please refer to the catalogue.

Please contact Teknomega for non-specified tolerances.