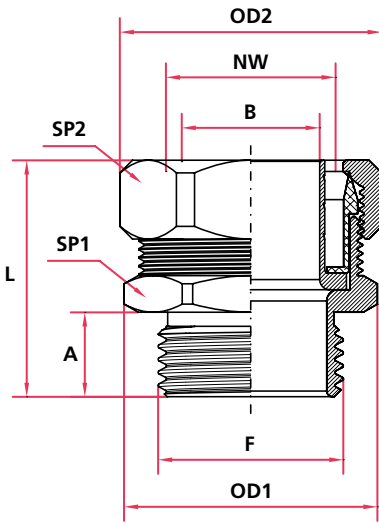


GFMF



Raccordi autobloccanti in ottone Brass self-locking fittings



Applicazione Application



I raccordi GFMF consentono di effettuare i collegamenti sulle guaine tipo GF e GFT in modo pratico, economico e sicuro. Il collegamento raccordo-guaina viene effettuato mediante una virola in metallo ed un anello in nylon. La particolare costruzione della virola consente l'inserimento all'interno della guaina, permettendo di ottenere un abbinamento dotato di un'ottima resistenza alla trazione ed alla vibrazione. L'anello in nylon, invece, bloccando esternamente la guaina, completa l'accoppiamento raccordo-guaina, garantendo un grado di protezione IP 67.

GFMF fittings provide quick, economical and secure connections with GF and GFT conduits. Connection of fitting and conduit is assured by a metal ferrule and a nylon ring. The special construction of the metal ferrule allows internal screw connection with the conduit and offers excellent resistance to traction and vibration. The connection is complemented by the nylon ring which blocks the conduit in place and guarantees IP 67 rating.

Materiale Material

Ottone Nichelato.

Brass nickel plated.

Certificazioni Approvals

IMQ EN 61386-21: CA02.03963

IMQ EN 61386-21: CA02.03963

Compatibilità Suitable for

Compatibili con le guaine GF e GFT.

Suitable with GF and GFT conduits.



GFMF - Raccordo in ottone maschio fisso filetto GAS, PG e ISO Metrico

Code GAS	F Filetto GAS	A mm	L mm	Code PG	F Filetto PG	A mm	L mm	Code ISO	F Filetto ISO	Certificazioni	A mm	L mm	Adatto per guaina	Code guaina NW	Ø guaina GF mm int. est.	Ø guaina GFT mm int. est.	B mm	OD1 mm	OD2 mm	SP1 mm	SP2 mm	Confezione standard	
GFMF10G01	1/4"			GFMF10P07	7			GFMF10M12	M12x1,5														
GFMF10G02	3/8"	10	32	GFMF10P09	9	10	32	GFMF10M16	M16x1,5		10	33	GF - GFT	10	10,0 - 14,0	10,0 - 15,0	8,5	25	26	22	24	20	
GFMF10G03	1/2"			GFMF10P11	11			GFMF10M20	M20x1,5														
				GFMF10P13	13,5																		
GFMF12G02	3/8"			GFMF12P11	11			GFMF12M16	M16x1,5														
GFMF12G03	1/2"	10	33	GFMF12P13	13,5	10	33	GFMF12M20	M20x1,5		10	33,5	GF - GFT	12	12,0 - 16,0	12,0 - 17,0	10,5	27,5	29	24	26	20	
GFMF15G03	1/2"	11	34,5	GFMF15P13	13,5	10	33,5	GFMF15M20	M20x1,5		10	34,5	GF - GFT	15	15,0 - 20,5	15,0 - 21,0	13,5	32	33	28	30	20	
				GFMF15P16	16																		
GFMF20G04	3/4"	13	38	GFMF20P21	21	12	36,5	GFMF20M25	M25x1,5		12	37	GF - GFT	20	20,0 - 26,0	20,0 - 27,0	18,5	39	42,5	35	38	10	
GFMF27G05	1"	15	42	GFMF27P29	29	12	40	GFMF27M32	M32x1,5		12	39,5	GF - GFT	27	27,0 - 34,0	27,0 - 35,0	25	47,5	49,5	42	45	10	
GFMF36G06	1" 1/4	15	46	GFMF36P36	36	12	42,5	GFMF36M40	M40x1,5		12	43	GF - GFT	36	36,0 - 43,0	36,0 - 45,0	34	55	58	50	53	5	
GFMF40G07	1" 1/2	18	50	GFMF40P36	36	17	49,5																
				GFMF40P42	42	13	46,5	GFMF40M50	M50x1,5		13	36,5	GF - GFT	40	40,0 - 48,0	40,0 - 50,0	37,5	63	66,5	58	61	5	
GFMF47G08	2"	15	50	GFMF47P48	48	13	48	GFMF47M63	M63x1,5		13	48	GF	47	47,0 - 55,0	-	44	70,5	76	64	70	2	
REF. Part N. GAS	F GAS Thread	A mm	L mm	REF. Part N. PG	F PG Thread	A mm	L mm	REF. Part N. ISO	F ISO Thread		A mm	L mm	Fits to conduit type	Conduit code NW	Ø GF conduit int. ext. mm	Ø GFT conduit int. ext. mm	B mm	OD1 mm	OD2 mm	SP1 mm	SP2 mm	Packing unit	

GFMF - Brass fittings fixed male thread GAS, PG and ISO Metric