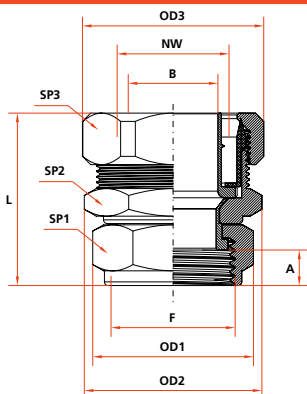




# EXCMFG

## Raccordi in ottone filetto femmina girevole serie CM continuità metallica Brass fittings revolving female thread with metallic continuity



QR CODE: istruzioni di montaggio  
QR CODE: assembly instructions



Per guaine tipo: EXL-EXDAR-SVT-  
T-TP-SVPEVAT  
For conduits type: EXL-EXDAR-SVT-  
T-TP-SVPEVAT



I raccordi sono completi della guarnizione GAM  
The fittings are equipped with GAM gasket

### Applicazione Application



La compatibilità con una gamma molto vasta di guaine rende i raccordi CM i più comuni ed utilizzati in svariati campi di applicazione. In particolare ne segnaliamo il filetto girevole.

CM series fittings are compatible with a wide range of conduits and are useful in several applications. Particularly we recommend the revolving thread.

### EXCMFG - Filetto femmina girevole GAS - Raccordo in ottone con continuità metallica

Codice	Certificazioni	F Filetto GAS	Codice Guaina NW	Ø guaina mm int. est.	A mm	B Passaggio utile	L mm	OD1 mm	OD2 mm	OD3 mm	SP1 mm	SP2 mm	SP3 mm	Confezione standard
EXCMFG09	Ex	1/4"	9	8,5 - 13,0	6	7	34,5	17	23	24,5	15	20	22	20
EXCMFG10	Ex	1/4"	10	10,0 - 15,0	6	8,5	35	17	25	26	15	22	24	20
EXCMFG10A	Ex	3/8"	10	10,0 - 15,0	6,5	8,5	35	21,5	25	26	19	22	24	20
EXCMFG10B	Ex	1/2"	10	10,0 - 15,0	7	8,5	35	27,5	25	26	24	22	24	20
EXCMFG12	Ex	3/8"	12	12,0 - 17,0	6,5	10,5	36	21,5	27,5	29	19	24	26	20
EXCMFG13	Ex	3/8"	13	13,0 - 19,0	6,5	11	36	21,5	30	30,5	19	26	28	20
EXCMFG13A	Ex	1/2"	13	13,0 - 19,0	7	11	36	27,5	30	30,5	24	26	28	20
EXCMFG15	Ex	1/2"	15	15,5 - 21,0	7,5	13,8	37	27,5	32	33	24	28	30	20
EXCMFG15A	Ex	3/4"	15	15,5 - 21,0	7	13,8	38,5	34,5	32	33	30	28	30	20
EXCMFG18	Ex	1/2"	18	18,0 - 25,0	7	15	39	27,5	37	37	24	32	34	10
EXCMFG18A	Ex	3/4"	18	18,0 - 25,0	8	16,5	39	34,5	37	37	30	32	34	10
EXCMFG20	Ex	3/4"	20	20,5 - 27,0	8	18,1	41	34,5	39	42,5	30	35	38	10
EXCMFG25	Ex	1"	25	25,0 - 32,0	10	23	45,5	43,5	45	46,5	38	40	42	10
EXCMFG27	Ex	1"	27	26,5 - 34,0	10	24	47	43,5	45	49,5	38	42	45	10
EXCMFG33	Ex	1" 1/4	33	33,0 - 41,0	11	31	51	49	55	58	45	50	53	5
EXCMFG35	Ex	1" 1/4	35	35,0 - 43,0	11	32	49	49	55	58	45	50	53	5
EXCMFG40	Ex	1" 1/2	40	40,0 - 48,0	11	37,5	55	57	64	66,5	52	58	61	5
EXCMFG50	Ex	2"	50	50,5 - 58,5	12	48	60,5	72	76	80,5	66	70	74	2
EXCMFG65	Ex	2" 1/2	65	65,0 - 74,0	19	61	93	91	99	99	82	95	95	1
EXCMFG75	Ex	3"	75	75,0 - 84,0	19	71	99	105	110	110	95	104	104	1
EXCMFG100	Ex	4"	100	100,0 - 109,0	27	95	113	136	136,5	136,5	129	129	129	1

REF. Part N. GAS

Approvals	F GAS Thread	Conduit code NW	int. ext. Ø conduit mm	A mm	B useful passage	L mm	OD1 mm	OD2 mm	OD3 mm	SP1 mm	SP2 mm	SP3 mm	Packing unit
-----------	--------------	-----------------	------------------------	------	------------------	------	--------	--------	--------	--------	--------	--------	--------------

### EXCMFG - Revolving female GAS thread - Brass fittings with metallic continuity

