



maniglia aggiuntiva per comando rinviato rotativo bloccoporta ARRESTO DI EMERGENZA accessori per: 3VA57/58/59; 3VA67/68/69

Versione	
marca del prodotto	SETRON
denominazione del prodotto	Maniglia aggiuntiva
Progettazione meccanica	
Peso netto per UQ	1 kg
Certificati	
General Product Approval	



[Miscellaneous](#)



[Confirmation](#)



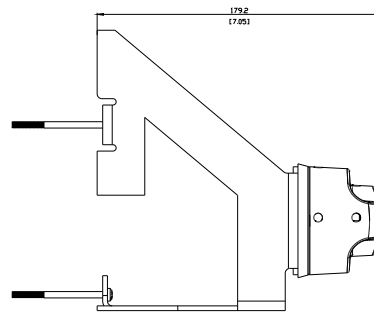
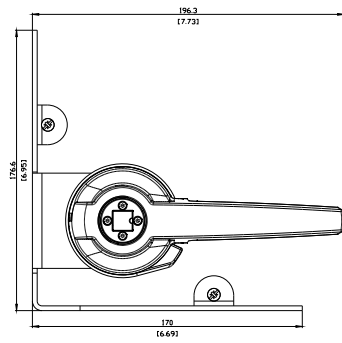
EMV	Test Certificates	Maritime application	other	Environment
	<a href="#">Type Test Certificates/Test Report</a>		<a href="#">Miscellaneous</a>	<a href="#">Confirmation</a>
			<a href="#">Confirmation</a>	<a href="#">Environmental Confirmations</a>

Environment
<a href="#">Environmental Confirmations</a>

Ulteriori informazioni
<p>Informazioni sull'imballaggio  <a href="https://support.industry.siemens.com/cs/ww/it/view/109813875">https://support.industry.siemens.com/cs/ww/it/view/109813875</a></p> <p>Information for data generation and storage  <a href="https://support.industry.siemens.com/cs/ww/en/view/109995012">https://support.industry.siemens.com/cs/ww/en/view/109995012</a></p> <p>Information- and Downloadcenter (Cataloghi, Opuscoli,...)  <a href="https://www.siemens.com/lowvoltage/catalog">https://www.siemens.com/lowvoltage/catalog</a></p> <p>Industry Mall (sistema di ordinazione Online)  <a href="https://mall.industry.siemens.com/mall/it/it/Catalog/product?mlfb=3VA9877-0GC05">https://mall.industry.siemens.com/mall/it/it/Catalog/product?mlfb=3VA9877-0GC05</a></p> <p>Service&amp;Support (Manuali, Certificati, Caratteristiche, FAQ, ...)  <a href="https://support.industry.siemens.com/cs/ww/it/ps/3VA9877-0GC05">https://support.industry.siemens.com/cs/ww/it/ps/3VA9877-0GC05</a></p> <p>Banca dati immagini (foto prodotto, disegni dimensionali 2D, modelli 3D, schemi delle connessioni, ...)  <a href="https://www.automation.siemens.com/bilddb/cax_en.aspx?mlfb=3VA9877-0GC05">https://www.automation.siemens.com/bilddb/cax_en.aspx?mlfb=3VA9877-0GC05</a></p> <p>CAX-Online-Generator  <a href="https://www.siemens.com/cax">https://www.siemens.com/cax</a></p>

Tender specifications

<https://www.siemens.com/specifications>



Ultima modifica:

03/04/2025 

