

interblocco posteriore con asta accessori per: 3VA51...54; 3VA61...64



Versione	
marca del prodotto	SENTRON
denominazione del prodotto	interblocco posteriore
accessori	interblocco posteriore
Dati tecnici generali	
Peso netto per UQ	390 g
Certificati	
General Product Approval	



[Miscellaneous](#)



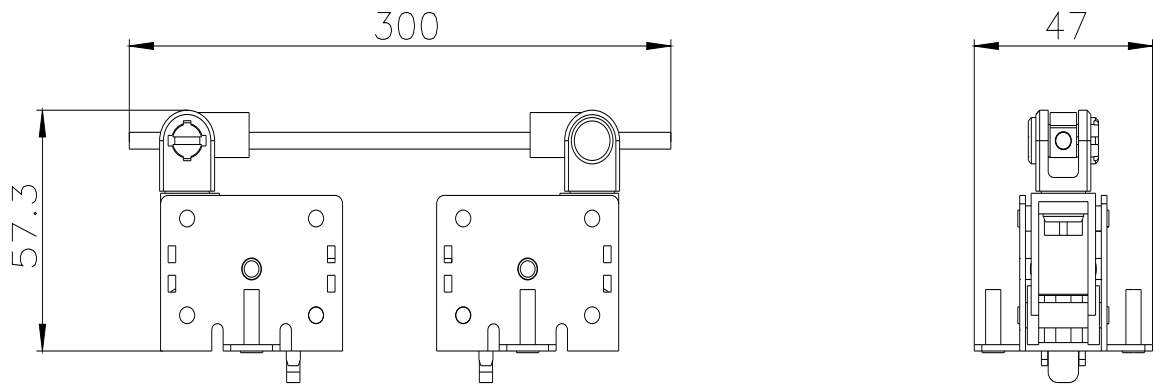
[Confirmation](#)



EMV	Test Certificates	Maritime application	other	Environment
	<a href="#">Type Test Certificates/Test Report</a>		<a href="#">Miscellaneous</a>	<a href="#">Confirmation</a>
				<a href="#">Environmental Confirmations</a>

Environment
<a href="#">Environmental Confirmations</a>

Ulteriori informazioni
<p>Informazioni sull'imballaggio  <a href="https://support.industry.siemens.com/cs/ww/it/view/109813875">https://support.industry.siemens.com/cs/ww/it/view/109813875</a></p> <p>Information for data generation and storage  <a href="https://support.industry.siemens.com/cs/ww/en/view/109995012">https://support.industry.siemens.com/cs/ww/en/view/109995012</a></p> <p>Information- and Downloadcenter (Cataloghi, Opuscoli,...)  <a href="https://www.siemens.com/lowvoltage/catalogs">https://www.siemens.com/lowvoltage/catalogs</a></p> <p>Industry Mall (sistema di ordinazione Online)  <a href="https://mall.industry.siemens.com/mall/it/it/Catalog/product?mlfb=3VA9078-0VM10">https://mall.industry.siemens.com/mall/it/it/Catalog/product?mlfb=3VA9078-0VM10</a></p> <p>Service&amp;Support (Manuali, Certificati, Caratteristiche, FAQ, ...)  <a href="https://support.industry.siemens.com/cs/ww/it/ps/3VA9078-0VM10">https://support.industry.siemens.com/cs/ww/it/ps/3VA9078-0VM10</a></p> <p>Banca dati immagini (foto prodotto, disegni dimensionali 2D, modelli 3D, schemi delle connessioni, ...)  <a href="https://www.automation.siemens.com/bilddb/cax_en.aspx?mlfb=3VA9078-0VM10">https://www.automation.siemens.com/bilddb/cax_en.aspx?mlfb=3VA9078-0VM10</a></p> <p>CAX-Online-Generator</p>



---

Ultima modifica:

03/04/2025 

