

Lamp Voltage



Luminous flux



Max.module lenght



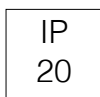
Colour



Degree of protection

### DESCRIZIONE

SICOMtape 15W/m RGBW 4000K IP20 24V Digital-WS2814B  
IP20 protection.



MECHANICAL DATA	
Width (mm)	12
Height (mm)	2
Lenght (mm)	5000
Degree of protection (IP)	IP20
Lenght of particular segments (mm)	100

ELECTRICAL DATA	
Efficiency (lm/W)	50
Lamp power per meter (W)	15
Lamp voltage (V)	24

LIGHT TECHNICAL DATA	
Luminous flux (lm/m)	750
Beam angle (°)	120
Binning tolerance	-
CRI (Ra)	- - -
Colour temperature	RGB+4000K
IC TYPE	WS2814B

CONNECTION	
Connection number	1 (supply from ends every 5meter)
Max, module lenght (mm)	5000

TEMPERATURE DATA	
Lifetime (h)	45000
Ambient temperature ( °C)	-25...+45



# SICOMtape 15W/m RGBW 4000K IP20 24V Digital - WS2814B 560DIG15RGBW4020



## GESTIONE

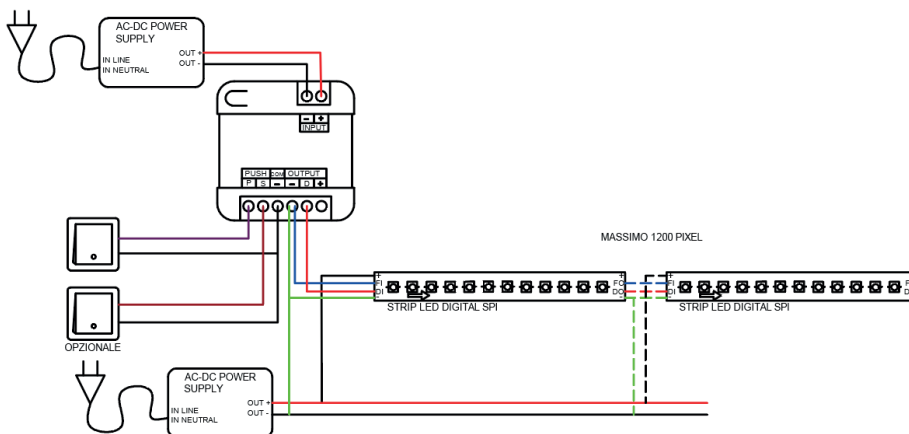
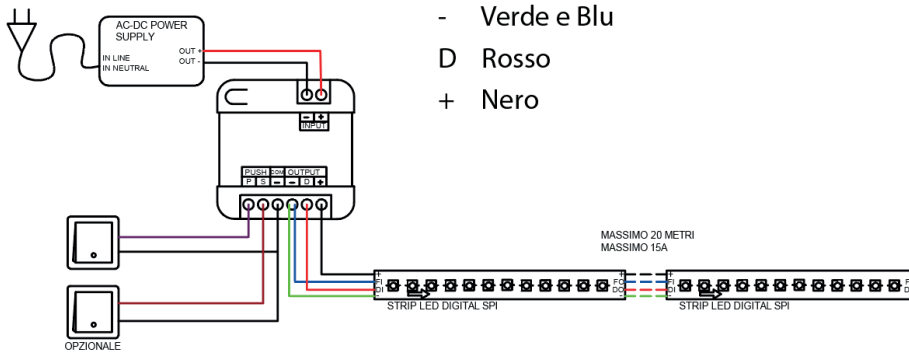
Codice	Descrizione	Range di tensione	Comando	Tipo di carico
5606338	SICOMdim PIXEL	5÷24 VDC	PUSH	strisce led Pixel to Pixel



IP20 SPI

## PER STRIP LED RGBW E WHITE

OUTPUT  
 - Verde e Blu  
 D Rosso  
 + Nero



PER GLI SCHEMI DI COLLEGAMENTO SCARICARE APP DI FUNZIONAMENTO E SCHEDA TECNICA



GET IT ON Google Play



Download on the App Store



SCAN ME

SCAN ME

DOWNLOAD APP FUNZIONAMENTO

DOWNLOAD SCHEDA TECNICA

### SAFETY INFORMATION:

Read the safety and installation instructions carefully and completely before commissioning. For more information please contact [sicom@sicom-pd.it](mailto:sicom@sicom-pd.it).

### DISCALIMER OF WARRANTY:

The technical information corresponds to the status at the time of printing and have been worked out to the best of our knowledge. However, errors and printing errors are reserved. Make sure that you always use the latest version of data sheets.



SICOM S.R.L.

Via Austria 15/A - 35127 - PADOVA - ITALY - Tel: +39 049 8701470 - Fax: +39 049 8700738  
[sicom@sicom-pd.it](mailto:sicom@sicom-pd.it) - [www.sicom-pd.it](http://www.sicom-pd.it)