

# Product End of Life Instructions

## Exiway Smart System

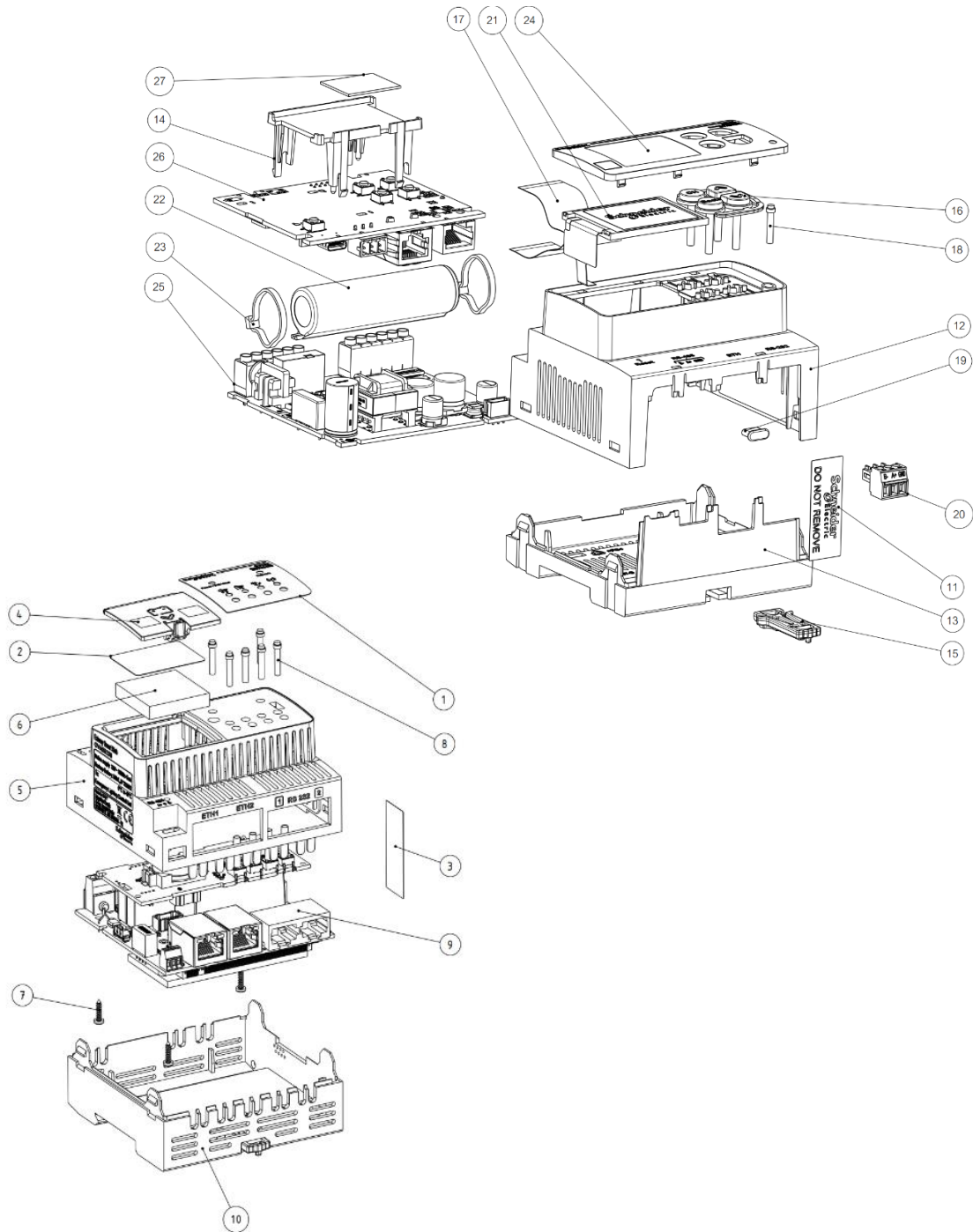




## Potential disassembly risks



## End of Life Instructions



ENVEOLI2508005\_V1 - End of Life Instructions - Exiway Smart System

Recommendation	Number on drawing	Component / Material	Weight (in g)	Comment
To be dismantled	1	PC (Coverage Front)	5	
To be dismantled	2	PC (Coverage )	3	
To be dismantled	3	PC (Coverage )	3	
To be dismantled	4	PC (Coverage battery)	2	
To be depolluted	5	PC (Body)	45	
To be dismantled	6	Battery (BATT/NR LI1CR2477 3V1AH C/IM)	3	
To be dismantled	7	Steel (screw)	2.5x2	
To be dismantled	8	PC (Hook)	6x2	
To be dismantled	9	Support for Electronic component (Electronic cart)	11	
To be dismantled	10	PC (Base Smart HUB)	36	
To be dismantled	11	PE (Brand label)	1	
To be dismantled	12	PC (body)	30	
To be dismantled	13	PC (smart Console base)	20	
To be depolluted	14	PE (display support)	5	
To be dismantled	15	PE (hook)	3	
To be dismantled	16	PA (buttpns)	5	
To be dismantled	17	PA (Flat)	3	
To be dismantled	18	Steel (LED guidance)	2	
To be dismantled	19	PC (tape usb protection)	1	
To be dismantled	20	PA (Connector)	4	
To be dismantled	21	PE (display)	4	
To be depolluted	22	BATT.LFP1IFR18650BST3,2V1,5AH+ NP LCF3	47	
To be dismantled	23	PE (cable tie)	2	
To be dismantled	24	PC (trasparent screen)	4	
To be depolluted	25	Electronic component (Electronic card)	60	
To be depolluted	26	Electronic component (Electronic card)	64	
To be dismantled	27	PE (sponge)	2	

## Product description

Manufacturer identification	Schneider Electric Industries SAS
Brand name	Schneider Electric
Product function	All-in-one handset, combining the Smart Hub and the Smart Console, and acting as a management center for controlling the Exiway Dicube addressable blocks. The Exiway Smart System handset is installed in the outgoing distribution cabinet of the lines supplying the Exiway Dicube addressable blocks.
Product reference	OVA53235
Additional similar product references	OVA53235
Total representative product mass	530 g
Representative product dimensions	180mm x 85mm x 70mm
Accessories	0
Date of information release	10-2025

## Additional information

Legal information	This product family is in the scope of European Union directive 2012/19/EU on Waste Electrical and Electronic Equipment (WEEE). The product family must be disposed according to the legislation of the country. This document is intended for use by end of life recyclers or treatment facilities. It provides the basic information to assure an appropriate end of life treatment for the components and materials of the product.
Recyclability potential	<b>35%</b> The recyclability rate was calculated from the recycling rates of each material making up the product based on REEECYLAB tool developed by Ecosystem, for components/materials not covered by the tool, data from the EIME database and the related PSR was taken. If no data was found a conservative assumption was used (0% recyclability).

Schneider Electric Industries SAS

Country Customer Care Center  
<http://www.se.com/contact>

35, rue Joseph Monier

CS 30323

F- 92500 Rueil Malmaison Cedex

RCS Nanterre 954 503 439  
 Capital social 928 298 512 €

[www.se.com](http://www.se.com)

ENVEOLI2508005\_V1

Published by Schneider Electric

© 2023 - Schneider Electric – All rights reserved

10-2025