

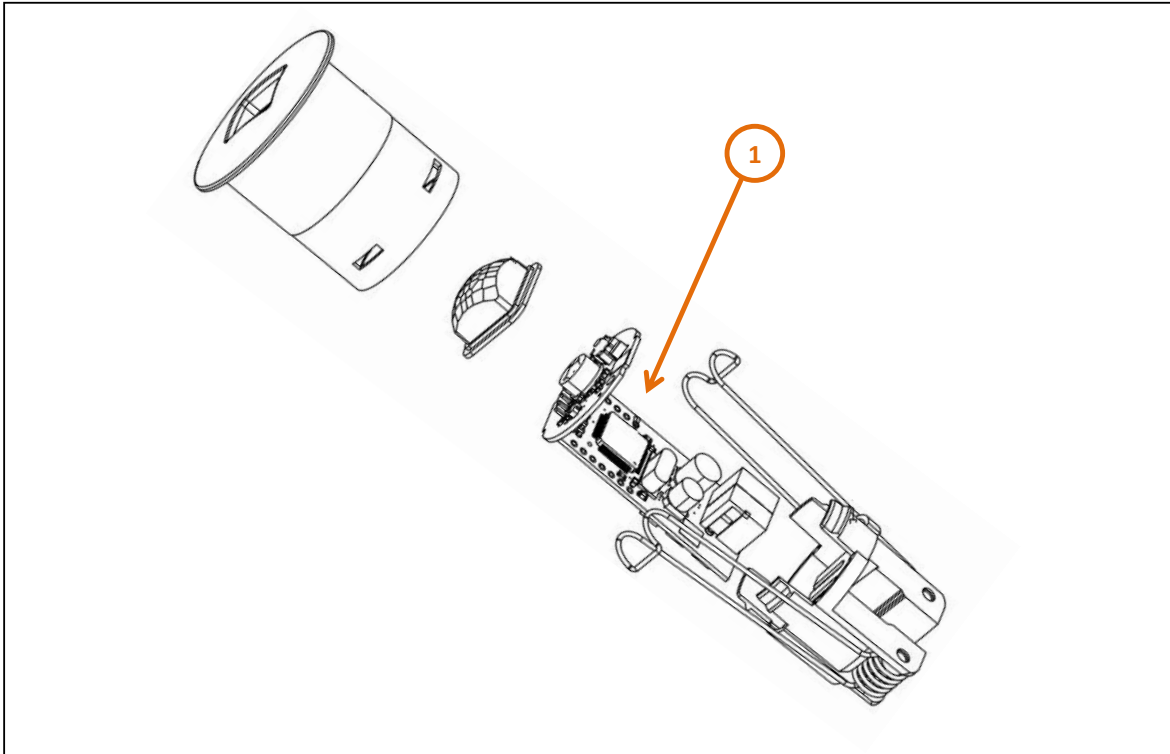
Product End of Life Instructions

KNX MINI PRESENCE DETECTOR





End of Life Instructions



Recommendation	Number on drawing	Component / Material	Weight (in g)	Comment
To be depolluted	1	PCBA	7.358	

Product description

Manufacturer identification	Schneider Electric Industries SAS
Brand name	Schneider Electric
Product function	This product detects the presence of persons even in the case of small movements and controls the lighting and HVAC as well which is carried out dependent on movement (4 channels) or additionally dependent on brightness (1 channel) via KNX telegrams. If there is sufficient daylight, the lighting is switched off or adapted to a detection brightness (constant light regulation) for the reference life time of 10years.
Product reference	MTN6303-0019
Additional similar product references	MTN6303-0019
Total representative product mass	51 g
Representative product dimensions	90mm x 75mm x 120mm
Accessories	No
Date of information release	11/2025



Additional information

Legal information	This product family is in the scope of European Union directive 2012/19/EU on Waste Electrical and Electronic Equipment (WEEE). The product family must be disposed according to the legislation of the country. This document is intended for use by end of life recyclers or treatment facilities. It provides the basic information to assure an appropriate end of life treatment for the components and materials of the product.
In case of special transportation: transportation method	NA
Recyclability potential	<p>11% The recyclability rate was calculated from the recycling rates of each material making up the product based on REEECY'LAB tool developed by Ecosystem, for components/materials not covered by the tool, data from the EIME database and the related PSR was taken. If no data was found a conservative assumption was used (0% recyclability).</p>

Schneider Electric Industries SAS

Country Customer Care Center

<http://www.se.com/contact>

35, rue Joseph Monier

CS 30323

F- 92500 Rueil Malmaison Cedex

RCS Nanterre 954 503 439

Capital social 928 298 512 €

www.se.com

ENVEOLI2509041_V1

Published by Schneider Electric

© 2023 - Schneider Electric – All rights reserved

11-2025