

# Product End of Life Instructions

**Network switch, Modicon Networking, standard unmanaged, 8 ports for copper**

**ConneXium - Ethernet**





## Potential disassembly risks

### ⚠ WARNING

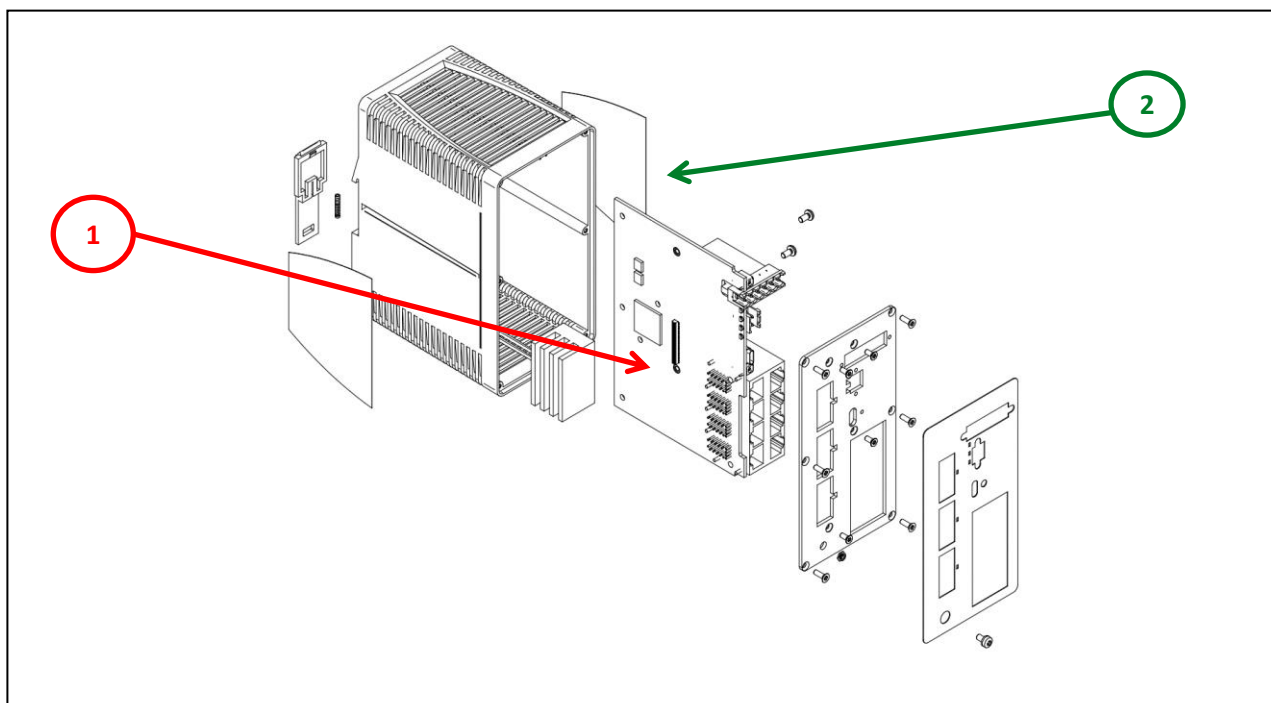
#### HAZARD OF ARC FLASH OR FIRE

- Disconnect battery terminals before disassembly
- Avoid any electrical connection between the terminals

**Failure to follow these instructions can result in death or serious injury.**



## End of Life Instructions



Recommendation	Number on drawing	Component / Material	Weight (in g)	Comment
Potential hazards	1	PCB	61,6	PCBA, Electrolytic capacitors
Other	2		88,4	

## Product description

Manufacturer identification	Schneider Electric Industries SAS
Brand name	Schneider Electric
Product function	This unmanaged switch comes with Ethernet TCP/IP protocol and with 8 transmission ports for copper cable. It provides simple connectivity for multiple Ethernet devices and gives customers more options with industrial grade application.
Product reference	MCSESU083FN0
Additional similar product references	MCSESU083FN0 MCSESM043F23F0 MCSESM053F1CS0 MCSESM053F1CU0 MCSESM063F2CS0 MCSESM063F2CU0 MCSESM083F23F0 MCSESM083F23F0H MCSESM083F23F1 MCSESM083F23F1H MCSESM093F1CS0 MCSESM093F1CU0 MCSESM103F2CS0 MCSESM103F2CS0H MCSESM103F2CS1 MCSESM103F2CS1H MCSESM103F2CU0 MCSESM103F2CU0H MCSESM103F2CU1 MCSESM103F2CU1H MCSESP083F23G0 MCSESP083F23G0T MCSESR043F23F0 MCSESR043F23F0C MCSESR043F2LM0 MCSESR043F2LM0C MCSESU053F1CU0 MCSESU053FN0 MCSESU083F2CS0 MCSESU083F2CU0
Total representative product mass	150 g
Representative product dimensions	38 x 102 x 79 mm
Accessories	No
Date of information release	10/28/2025

## Additional information

Legal information	This product family is in the scope of European Union directive 2012/19/EU on Waste Electrical and Electronic Equipment (WEEE). The product family must be disposed according to the legislation of the country. This document is intended for use by end of life recyclers or treatment facilities. It provides the basic information to assure an appropriate end of life treatment for the components and materials of the product.
Recyclability potential	<b>0%</b> The recyclability rate was calculated from the recycling rates of each material making up the product based on REEECY'LAB tool developed by Ecosystem, for components/materials not covered by the tool, data from the EIME database and the related PSR was taken. If no data was found a conservative assumption was used (0% recyclability).

Schneider Electric Industries SAS

Country Customer Care Center  
<http://www.se.com/contact>

35, rue Joseph Monier

CS 30323

F- 92500 Rueil Malmaison Cedex

RCS Nanterre 954 503 439

Capital social 928 298 512 €

[www.se.com](http://www.se.com)

ENVEOLI2003018\_V2

Published by Schneider Electric

© 2023 - Schneider Electric – All rights reserved

28/10/2025