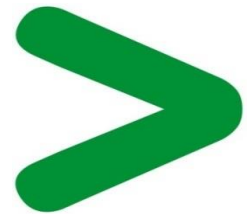


# Product End of Life Instructions

## ENERGY SENSOR POWERTAG NSX 3P 250A





## Potential disassembly risks

### **⚠ WARNING**

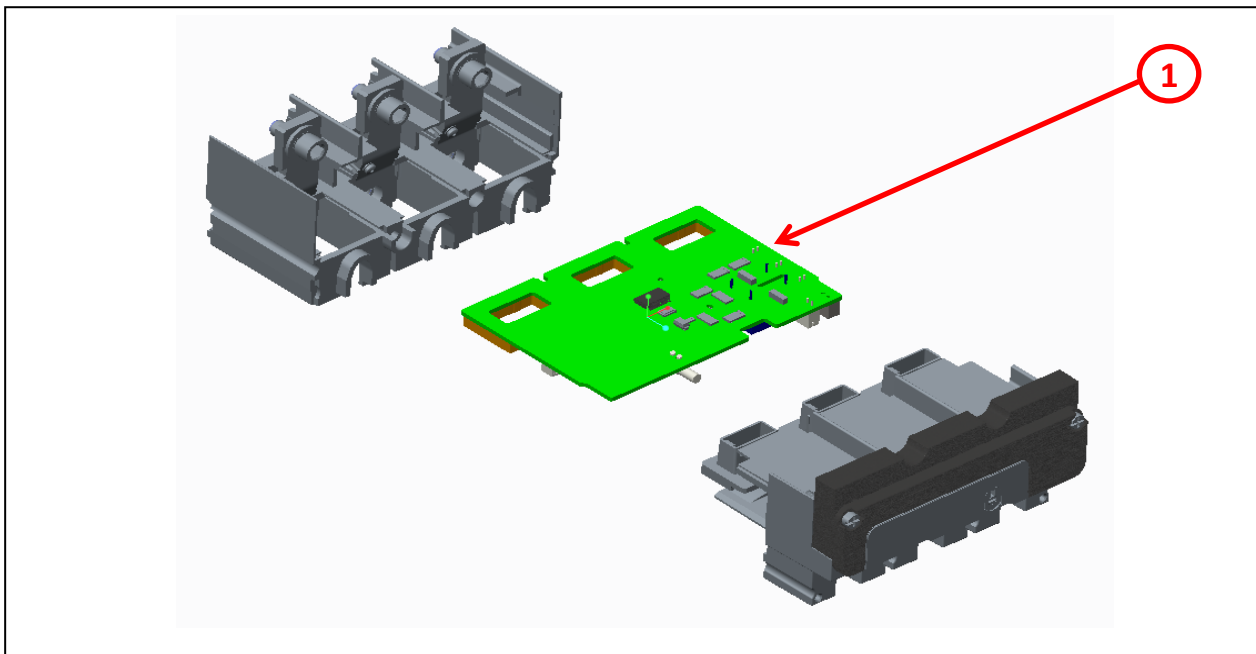
#### **HAZARD OF ARC FLASH OR FIRE**

- Disconnect battery terminals before disassembly
- Avoid any electrical connection between the terminals

**Failure to follow these instructions can result in death or serious injury.**



## End of Life Instructions



Recommendation	Number on drawing	Component / Material	Weight (in g)	Comment
To be depolluted	1	PCB	49.59	Including all soldering parts

## Product description

Manufacturer identification	Schneider Electric Industries SAS
Brand name	Schneider Electric
Product function	PowerTag NSX energy sensor is the wireless device that is directly mounted on a circuit breaker and connected to Smartlink through a wireless communication. This PowerTag is mounted downstream of Compact NSX circuit breakers. All the measurements from this product can be viewed in real-time on the webpages of Smartlink.
Product reference	LV434020
Total representative product mass	250 g
Representative product dimensions	86mm x 105mm x 57mm
Date of information release	2025-09

## Additional information

Legal information	This product family is in the scope of European Union directive 2012/19/EU on Waste Electrical and Electronic Equipment (WEEE). The product family must be disposed according to the legislation of the country. This document is intended for use by end of life recyclers or treatment facilities. It provides the basic information to assure an appropriate end of life treatment for the components and materials of the product.
Recyclability potential	<b>42%</b> The recyclability rate was calculated from the recycling rates of each material making up the product based on REEECYLAB tool developed by Ecosystem, for components/materials not covered by the tool, data from the EIME database and the related PSR was taken. If no data was found a conservative assumption was used (0% recyclability).

Schneider Electric Industries SAS

Country Customer Care Center  
<http://www.se.com/contact>

35, rue Joseph Monier  
 CS 30323  
 F- 92500 Rueil Malmaison Cedex  
 RCS Nanterre 954 503 439  
 Capital social 928 298 512 €

[www.se.com](http://www.se.com)

ENVEOLI1802004\_V2

Published by Schneider Electric

© 2023 - Schneider Electric – All rights reserved

2025-09