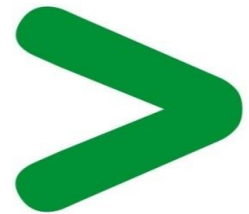


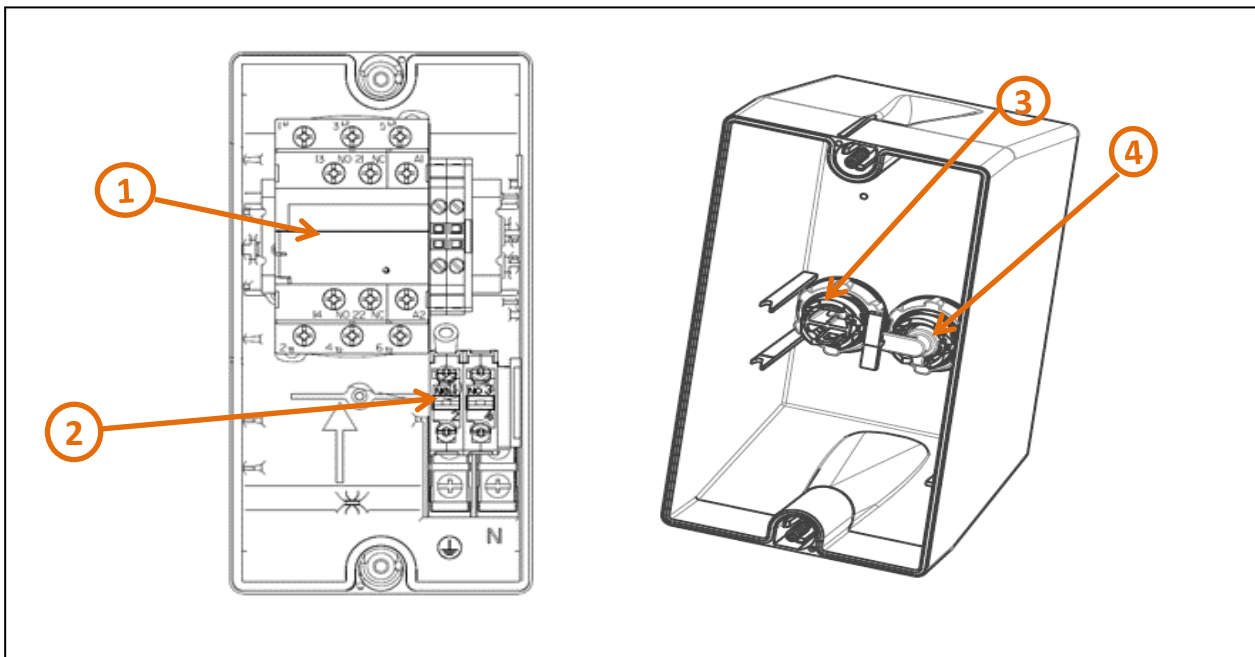
Product End of Life Instructions

TeSys LE - enclosed DOL starter





End of Life Instructions



Recommendation	Number on drawing	Component / Material	Weight (in g)	Comment
To be depolluted	1,3,4	Other plastic parts with brominated flame retardants	20.81	plastic parts with brominated FR
To be depolluted	2	PC, ABS-PC, PA, PA6, HDPE, SAN with brominated flame retardants	0.51	plastic parts with brominated FR

Product description

Manufacturer identification	Schneider Electric Industries SAS
Brand name	Schneider Electric
Product function	The main purpose of the product is to isolate a circuit, to protect and/or to control a motor.
Product reference	LE1D09P7
Total representative product mass	920 g
Representative product dimensions	88mm x 166mm x 128.5mm
Accessories	No
Date of information release	08-2024

Additional information

Legal information	This product family is in the scope of European Union directive 2012/19/EU on Waste Electrical and Electronic Equipment (WEEE). The product family must be disposed according to the legislation of the country. This document is intended for use by end of life recyclers or treatment facilities. It provides the basic information to assure an appropriate end of life treatment for the components and materials of the product.	
In case of special transportation: transportation method	No	
Recyclability potential	37%	Recyclability rate has been calculated based on REEECY'LAB tool developed by Ecosystem, for components/materials not covered by the tool, data from the "ECO' DEEE recyclability and recoverability calculation method" was taken. If no data was found a conservative assumption was used (0% recyclability).

Schneider Electric Industries SAS
Country Customer Care Center
<http://www.se.com/contact>

35, rue Joseph Monier

CS 30323

F- 92500 Rueil Malmaison Cedex

RCS Nanterre 954 503 439

Capital social 928 298 512 €

www.se.com

ENVEOLI2107010_V2

Published by Schneider Electric

© 2023 - Schneider Electric – All rights reserved

08-2024