

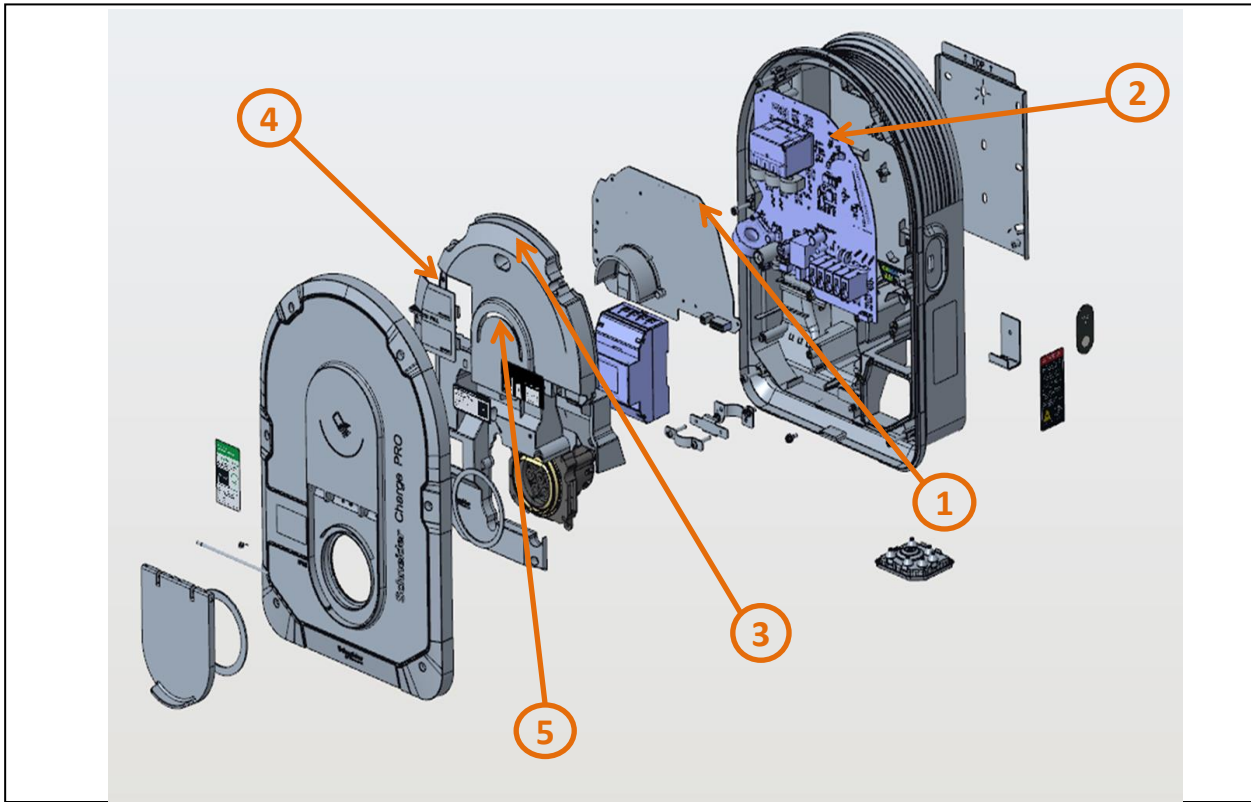
Product End of Life Instructions

Charging station, Charge Pro, 22kW, 32A, 3P+N, T2S socket-outlet, MID, TIC, 4G

Charge Pro



End of Life Instructions



Recommendation	Number on drawing	Component / Material	Weight (in g)	Comment
To be depolluted	1	Electronic Board (Communication) > 10cm ²	177.76	Electronic board 1
To be depolluted	2	Electronic Board (Power) > 10cm ²	575	Electronic board 2
To be depolluted	3	Electronic Board (Communication) > 10cm ²	9	Electronic board 3
To be depolluted	4	Electronic Board (Communication) > 10cm ²	10.4	Electronic board 4
To be depolluted	5	Electronic Board (Communication) > 10cm ²	9.9	Electronic board 5

Product description

Manufacturer identification	Schneider Electric Industries SAS
Brand name	Schneider Electric
Product function	The chargePro charging station is designed to allow private persons or public to have a charging point dedicated to their electric vehicle. Its function unit is to allow the charging of an electrical vehicle 16 hours a day for 10 years.
Product reference	EVB4S22N40MG
Additional similar product references	EVB4S22N40M, EVB4S22N40, EVB4S22NC0M, EVB4S22NC0, EVB4S22N40G, EVB4S22NC0MG, EVB4S22NC0G, EVA2M8, VA2MM, EVA2PBS1, EVA2PBS2, EVA2PCS2
Total representative product mass	4772 g
Representative product dimensions	292mm x 418mm x 316mm
Accessories	Wall mount, Incoming assembly, Gasket, anti-theft screw, cable tie
Date of information release	11-2024

Additional information

Legal information

This product family is in the scope of European Union directive 2012/19/EU on Waste Electrical and Electronic Equipment (WEEE). The product family must be disposed according to the legislation of the country. This document is intended for use by end of life recyclers or treatment facilities. It provides the basic information to assure an appropriate end of life treatment for the components and materials of the product.

Recyclability potential

22%

Recyclability rate has been calculated based on REEECY'LAB tool developed by Ecosystem, for components/materials not covered by the tool, data from the "ECO' DEEE recyclability and recoverability calculation method" was taken. If no data was found a conservative assumption was used (0% recyclability).

Schneider Electric Industries SAS
Country Customer Care Center
<http://www.se.com/contact>
35, rue Joseph Monier
CS 30323
F- 92500 Rueil Malmaison Cedex
RCS Nanterre 954 503 439
Capital social 928 298 512 €

www.se.com

Published by Schneider Electric

ENVEOLI2410035_V1

© 2023 - Schneider Electric – All rights reserved

11-2024