

# Product End of Life Instructions

## Exiway Smartbeam 230V DALI 550 lumen

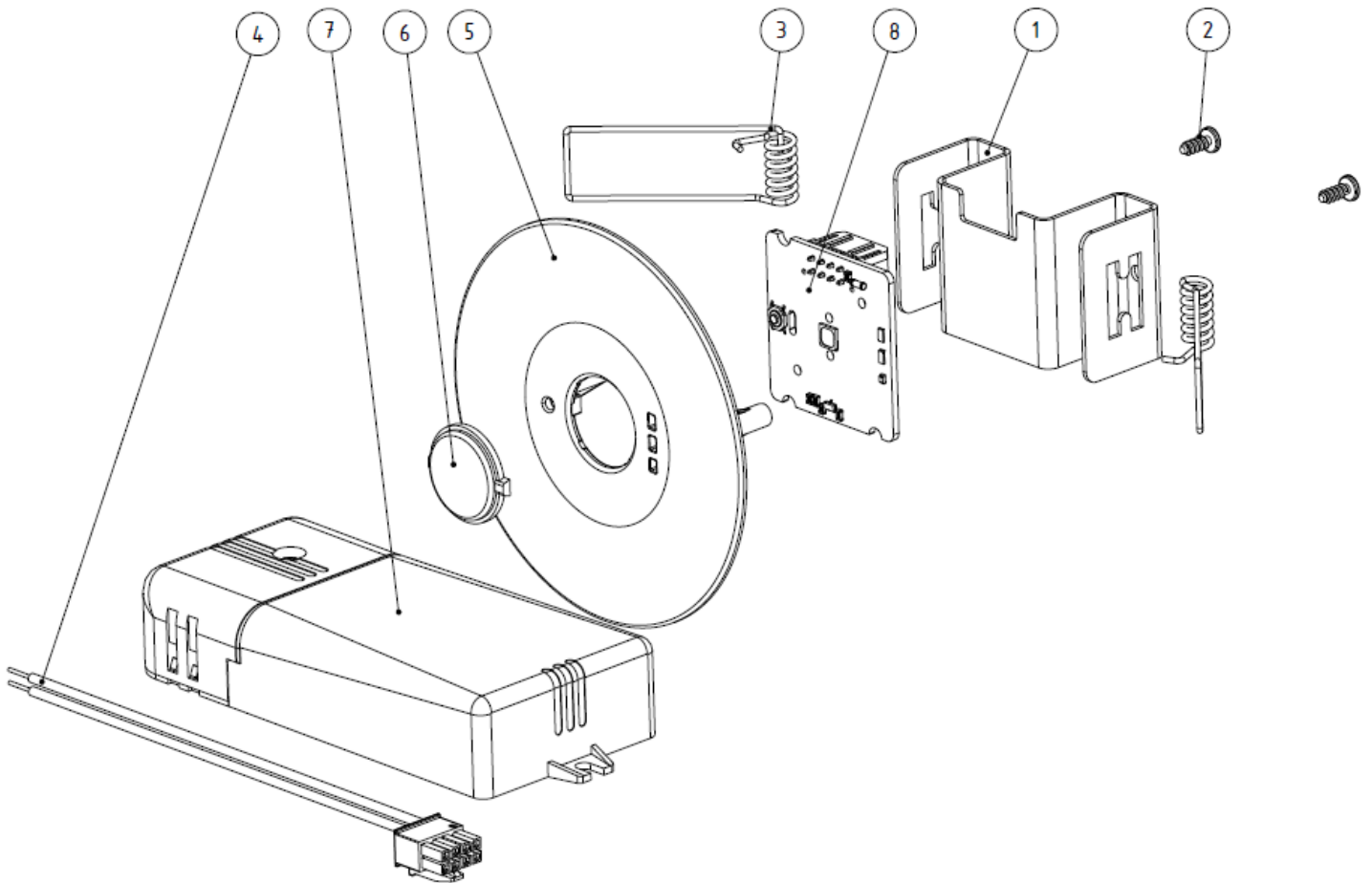




## Potential disassembly risks



## End of Life Instructions



Recommendation	Number on drawing	Component / Material	Weight (in g)	Comment
To be depolluted	1	Steel (Support Dissipator LED)	30	
To be depolluted	2	Steel (screw)	05x2	
To be depolluted	3	Steel (metal Spring)	3x2	
To be depolluted	4	Electronic component (Lens supply cable)	10	
To be dismantled	5	PC(Disk)	15	
To be dismantled	6	PC (LED support)	3	
To be depolluted	7	Electronic component (Driver LED)	100	
To be depolluted	8	Electronic component (LED + support)	7	

## Product description

Manufacturer identification	Schneider Electric Industries SAS
Brand name	Schneider Electric Industries SAS
Product function	DALI Emergency Luminaires for CPS system ( Centralized Power supply) compliant to EN 60598-2-22. The luminaire is powered by the CPS system and energized in case of black-out
Product reference	OVA48968
Additional similar product references	OVA48969
Total representative product mass	190 g
Representative product dimensions	90mm x 32mm x 111mm
Accessories	0
Date of information release	10/2024

## Additional information

### Legal information

This product family is in the scope of European Union directive 2012/19/EU on Waste Electrical and Electronic Equipment (WEEE). The product family must be disposed according to the legislation of the country. This document is intended for use by end of life recyclers or treatment facilities. It provides the basic information to assure an appropriate end of life treatment for the components and materials of the product.

### Recyclability potential

**65%** The recyclability rate was calculated from the recycling rates of each material making up the product based on REEECYLAB tool developed by Ecosystem, for components/materials not covered by the tool, data from the EIME database and the related PSR was taken. If no data was found a conservative assumption was used (0% recyclability).

Schneider Electric Industries SAS

Country Customer Care Center  
<http://www.se.com/contact>

35, rue Joseph Monier

CS 30323

F- 92500 Rueil Malmaison Cedex

RCS Nanterre 954 503 439

Capital social 928 298 512 €

[www.se.com](http://www.se.com)

Published by Schneider Electric

ENVEOLI2409022\_V1

© 2023 - Schneider Electric – All rights reserved

10/2024