

Product End of Life Instructions

PowerPact J-frame Molded Case Circuit Breaker with Thermal-magnetic Trip Unit

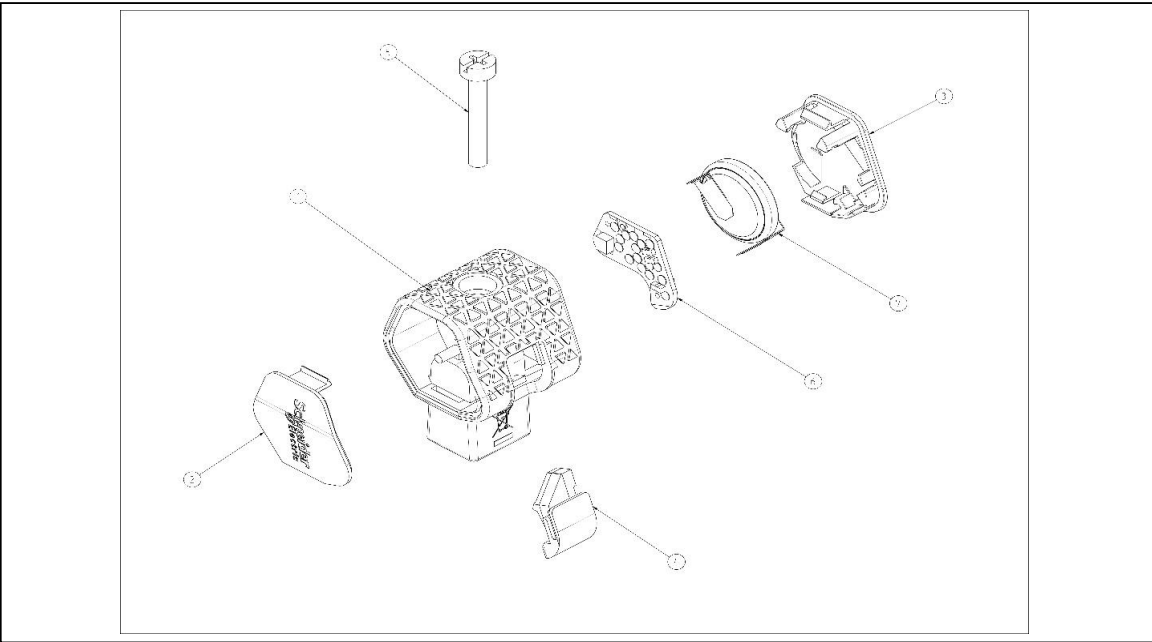




⚠ Potential disassembly risks

⚠ DANGER / PELIGRO / DANGER / 危險			
<p>HAZARD OF ELECTRIC SHOCK, EXPLOSION OR ARC FLASH Install circuit breaker so minimum clearance distance to grounded metal is maintained.</p> <p>Failure to follow these instructions will result in death or serious injury.</p>	<p>PELIGRO DE DESCARGA ELÉCTRICA, EXPLOSIÓN O DESTELLO POR ARQUEO Instale el interruptor automático de manera que se conserve la distancia mínima de espacio libre a las partes metálicas conectadas a tierra.</p> <p>El incumplimiento de estas instrucciones podrá causar la muerte o lesiones serias.</p>	<p>RISQUE D'ÉLECTROCUTION, D'EXPLOSION OU D'ÉCLAIR D'ARC Installez le disjoncteur de sorte qu'une distance d'isolement minimale avec le métal mis à la terre soit maintenue.</p> <p>Si ces directives ne sont pas respectées, cela entraînera la mort ou des blessures graves.</p>	<p>可能有触电、爆炸或电弧灼伤的危險</p> <p>安装断路器的最小间隙应保留接地金属的空间。</p> <p>不遵循上述说明将导致人员伤亡。</p>

🔧 End of Life Instructions



Recommendation	Number on drawing	Component / Material	Weight (in g)	Comment
To be dismantled	6	Electronic Board (Communication) > 10cm ²	2.46	Electronic Card
To be dismantled	7	Battery	2	Battery



Product description

Manufacturer identification	Schneider Electric United States
Brand name	SQUARE D
Product function	This product with thermal-magnetic Trip Unit is designed to protect electrical systems from damage caused by overloads and short circuits.
Product reference	JGL36250
Total representative product mass	1858 g
Representative product dimensions	7.5in x 4.1in x 5.0in (191mm x 104mm x 127mm)
Accessories	No
Date of information release	07/2022



Additional information

Legal information	This product family is in the scope of European Union directive 2012/19/EU on Waste Electrical and Electronic Equipment (WEEE). The product family must be disposed according to the legislation of the country. This document is intended for use by end of life recyclers or treatment facilities. It provides the basic information to assure an appropriate end of life treatment for the components and materials of the product.	
In case of special transportation: transportation method	No	
Recyclability potential	58%	Based on "ECO'DEEE recyclability and recoverability calculation method" (version V1, 20 Sep. 2008 presented to the French Agency for Environment and Energy Management: ADEME).

Schneider Electric United States
Country Customer Care Center
<https://www.se.com/us/en/work/support/contacts.jsp>
North American Division, Boston One Campus
800 Federal Street
MA 01810, Andover, USA

www.se.com

ENVEOLI2206031_V1

Published by Schneider Electric

© 2019 - Schneider Electric – All rights reserved

07/2022