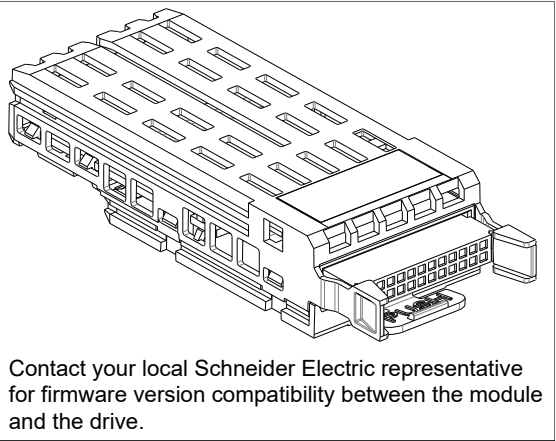
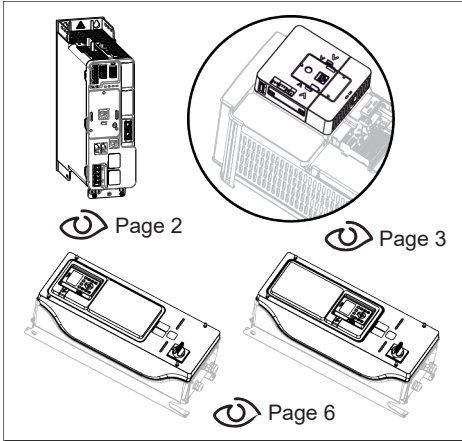




JYT8914502

**Altivar**  
**ATV340, ATV900**

**CIP Safety Module**  
**VW3A3809**



Contact your local Schneider Electric representative for firmware version compatibility between the module and the drive.

**⚠ ⚠ DANGER**

**HAZARD OF ELECTRIC SHOCK, EXPLOSION, OR ARC FLASH**

- Only appropriately trained persons who are familiar with and fully understand the contents of the present manual and all other pertinent product documentation and who have received all necessary training to recognize and avoid hazards involved are authorized to work on and with this equipment.
- Installation, adjustment, repair, and maintenance must be performed by qualified personnel.
- Verify compliance with all local and national electrical code requirements as well as all other applicable regulations with respect to grounding of all equipment.
- Before performing work and/or applying voltage on the equipment, follow the instructions given in the appropriate installation manual.

**Failure to follow these instructions will result in death or serious injury.**

Electrical equipment should be installed, operated, serviced, and maintained only by qualified personnel. No responsibility is assumed by Schneider Electric for any consequences arising out of the use of this product. © 2024 Schneider Electric. All Rights Reserved.



**MANUFACTURER**  
**Schneider Electric Industries SAS**  
35 rue Joseph Monier  
Rueil Malmaison 92500 France

**UK REPRESENTATIVE**  
**Schneider Electric Limited**  
Stafford Park 5  
Telford, TF3 3BL United Kingdom



Опция для продуктов Altivar и Altistart.  
Пожалуйста, обратитесь к сообщению о преобразователе частоты EAC / программном сартере в приложении к началу работы, размещенном на веб-сайте производителя.  
Авторизованный поставщик в Республике Казахстан:  
ТОО «Шнейдер Электрик»  
Адрес: 050010, РК, г. Алматы, пр. Достык, 38, бизнес-центр «Кен Дала», 5 этаж, левое крыло.  
Тел.: +7 (727) 339 23 57  
Номер службы поддержки клиентов:  
Тел.: +7 (727) 339 24 52

Altivar және Altistart өніміне арналған опция.  
Өндірушінің веб-сайтында орналастырылған «Жұмысқа кірісу» қосымшасындағы EAC жiлiлiк инвертер / бiрқалыпты iске қосу құрылғысы хабарламасына сілтеме жасауыңызды сұраймыз.  
Қазақстан Республикасындағы уәкiлеттi жеткізуші:  
ЖШС «Шнейдер Электрик»  
Мекен-жайы: 050010, ҚР, Алматы қаласы, Достық даңғылы, 38, «Кен дала» бизнес орталығы, 5-қабат, сол қанат.  
тел.: +7 (727) 339 23 57  
Клиенттерге қызмет көрсету нөмірі:  
тел.: +7 (727) 339 24 52



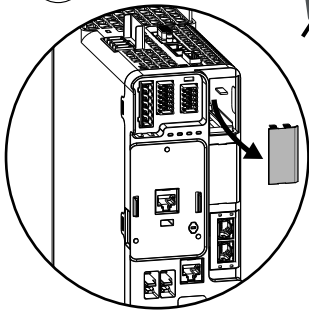
ATV900 CIP Safety manual - VW3A3809

[JYT89146](#) (English)

ATV340 CIP Safety manual - VW3A3809

[JYT89148](#) (English)

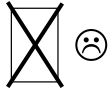
1



GP-SF



GP-ENC (E)



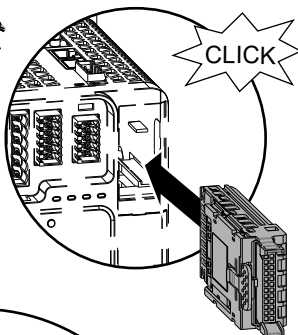
2



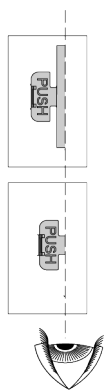
# ATV340

Up to ATV340D22N4E

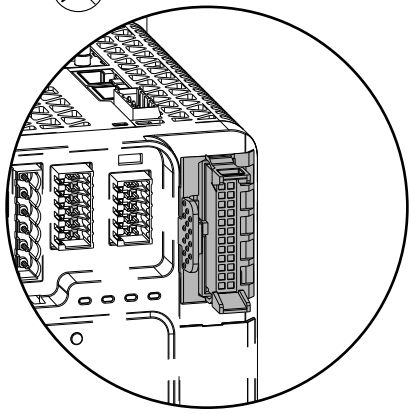
## Mounting



3



4

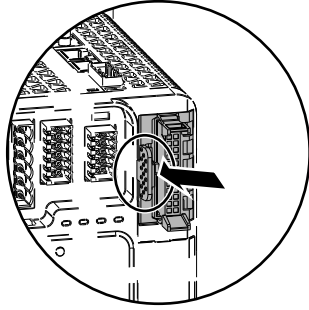


# ATV340

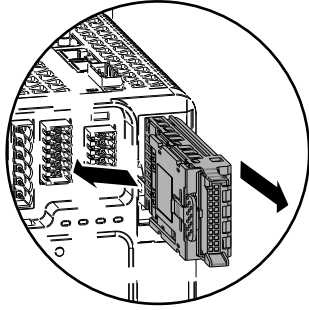
Up to ATV340D22N4E

## Removing

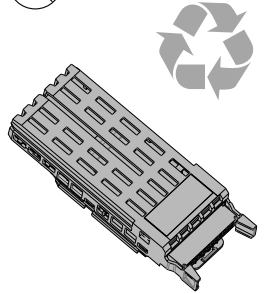
1



2



3





VW3A3800

NHA80733

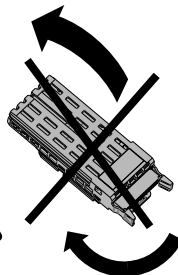
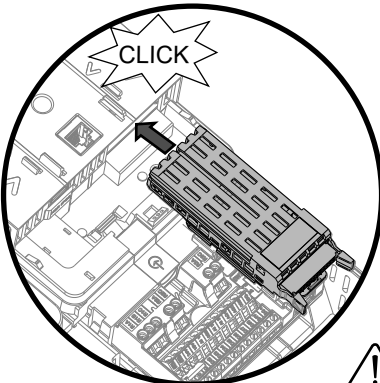
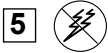
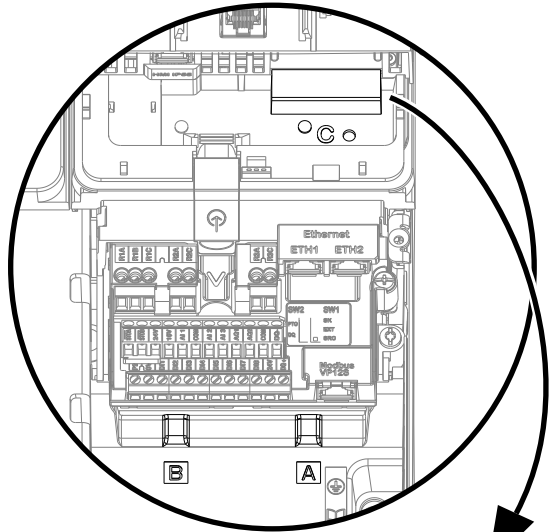
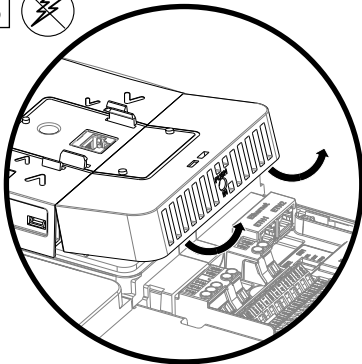
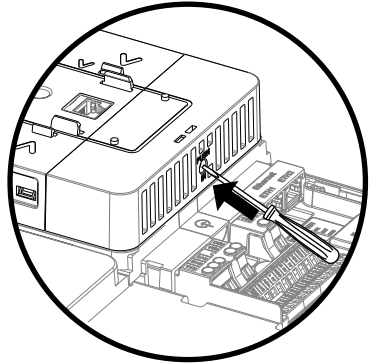
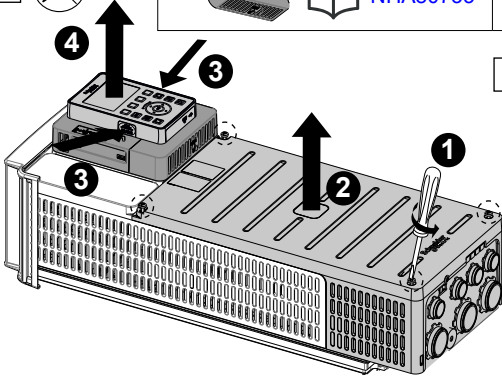
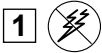
# ATV340

From ATV340D30N4E

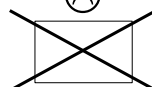
# ATV9●●●

IP21

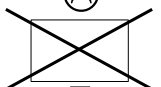
## Mounting



C

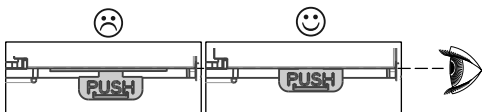


B

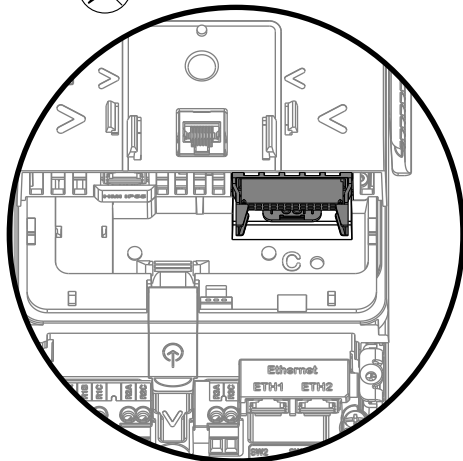


A

6 



7 



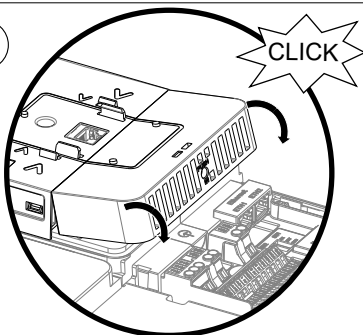
ATV340 ATV9●●

From ATV340D30N4E

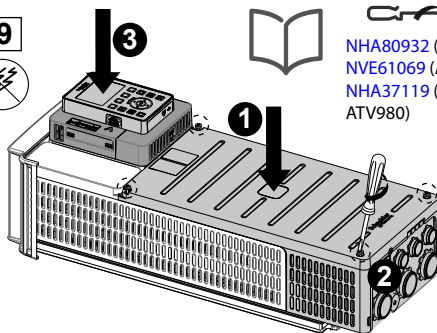
IP21

### Mounting

8 



9 



  
NHA80932 (ATV900)  
NVE61069 (ATV340)  
NHA37119 (ATV960,  
ATV980)

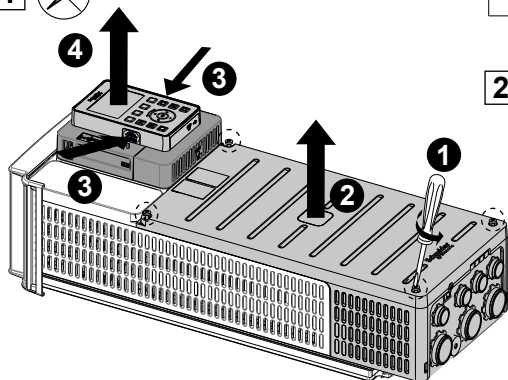
ATV340 ATV9●●

From ATV340D30N4E

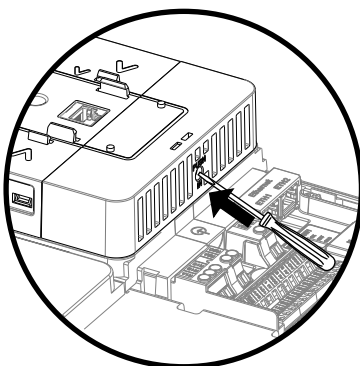
IP21

### Removing

1 



2 

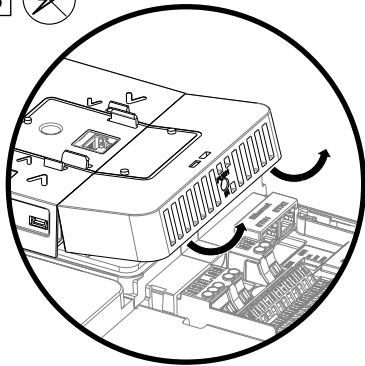



# ATV340    ATV900

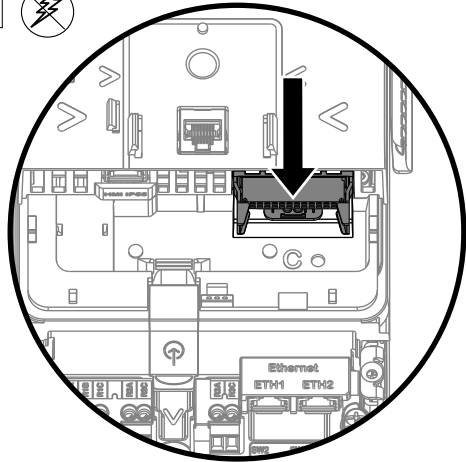
From ATV340D30N4E    IP21

## Removing

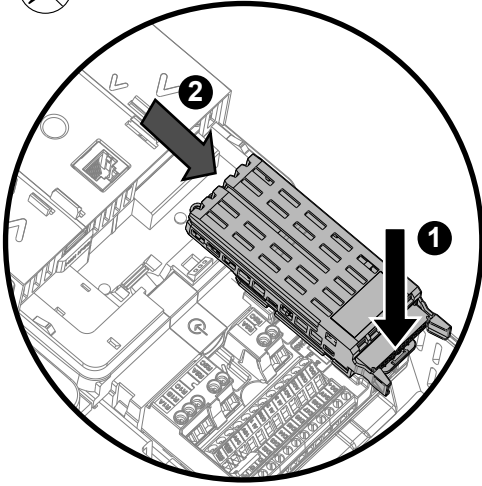
3 



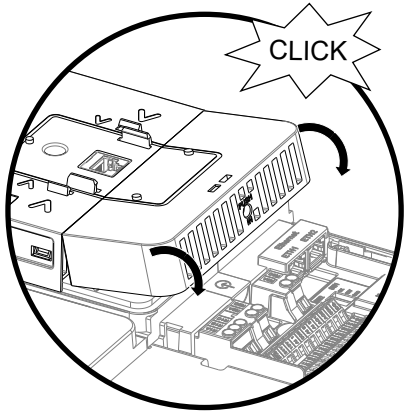
4 



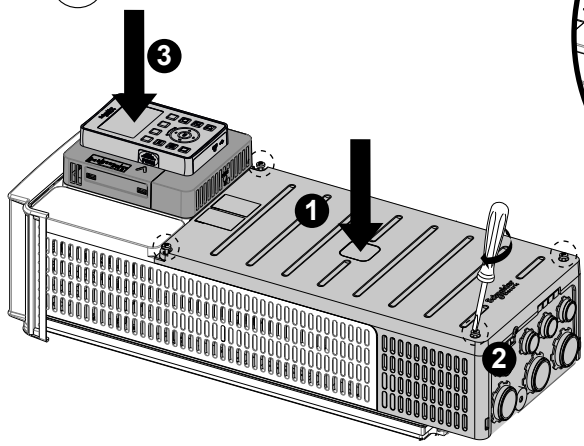
5 




6 



7 



NHA80932 (ATV900)  
 NVE61069 (ATV340)  
 NHA37119 (ATV960,  
 ATV980)

1 



VW3A3800

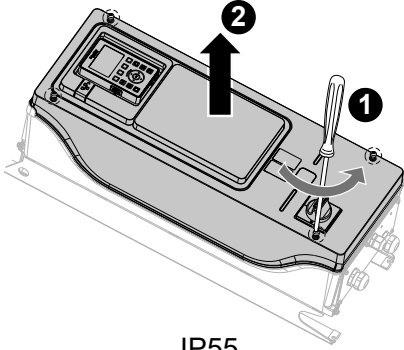


NHA80733

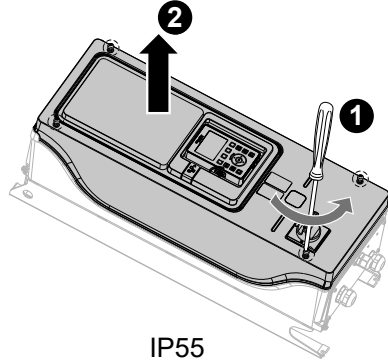
# ATV9●●●

IP55

## Mounting

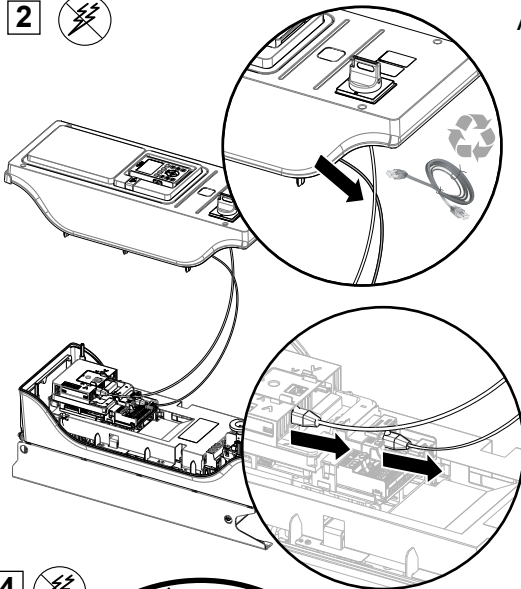


IP55  
Up to ATV950D11N4

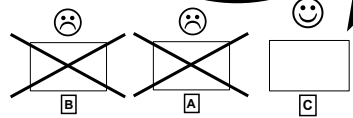
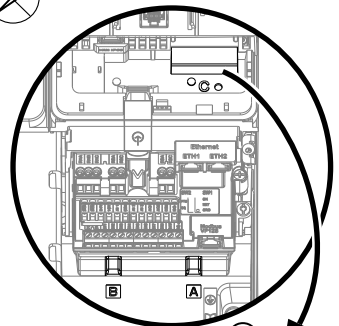


IP55  
ATV950D15N4 to D22N4

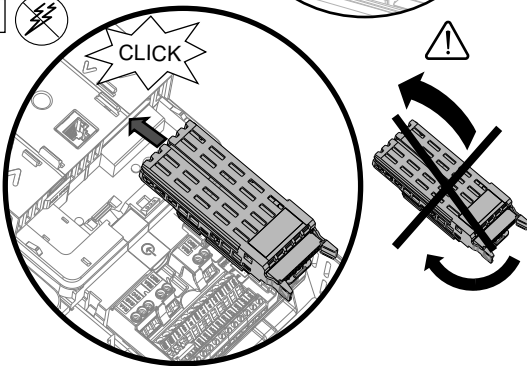
2 



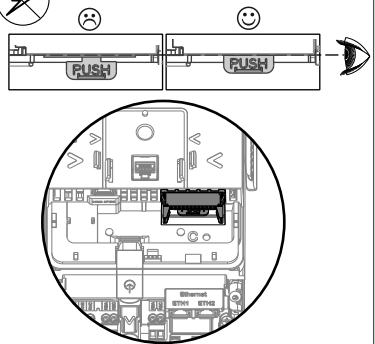
3 



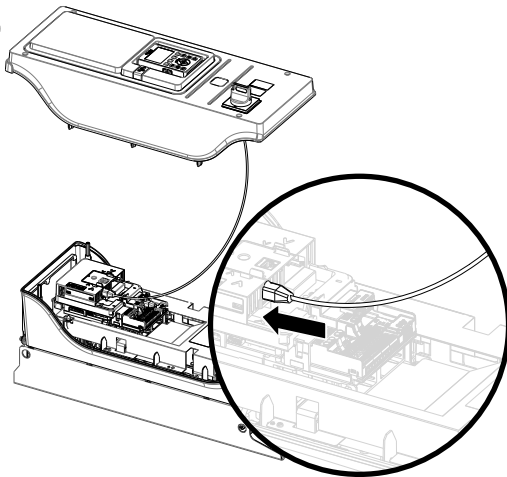
4 



5 



6



# ATV9●●●

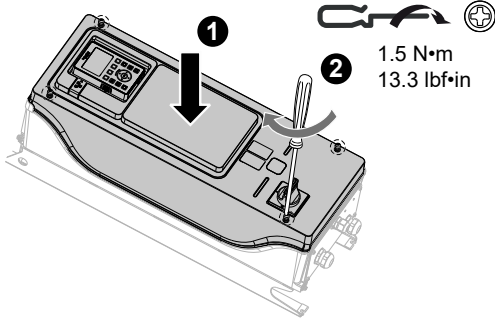
IP55

## Mounting

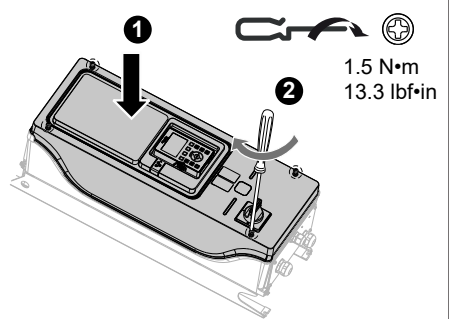
7



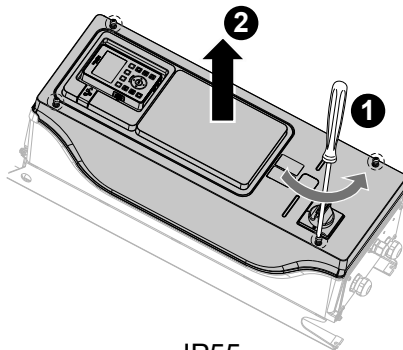
IP55  
Up to ATV950D11N4



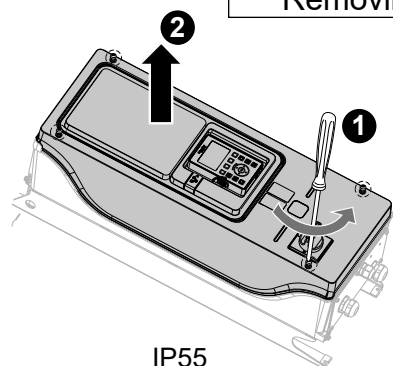
IP55  
ATV950D15N4 to D22N4



1



IP55  
Up to ATV950D11N4



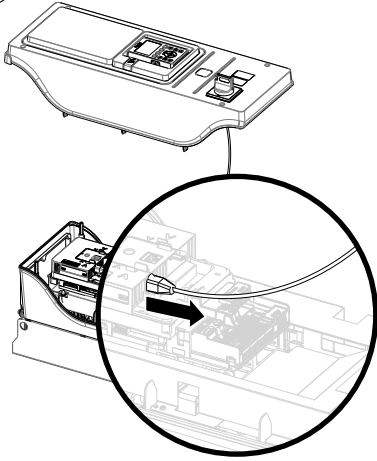
IP55  
ATV950D15N4 to D22N4

# ATV9●●●

IP55

## Removing

2 

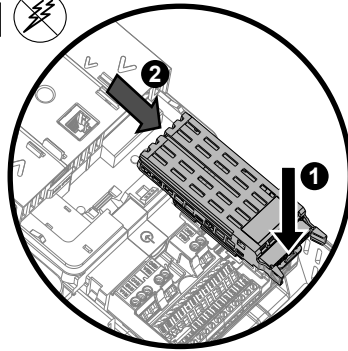


ATV9●●●

IP55

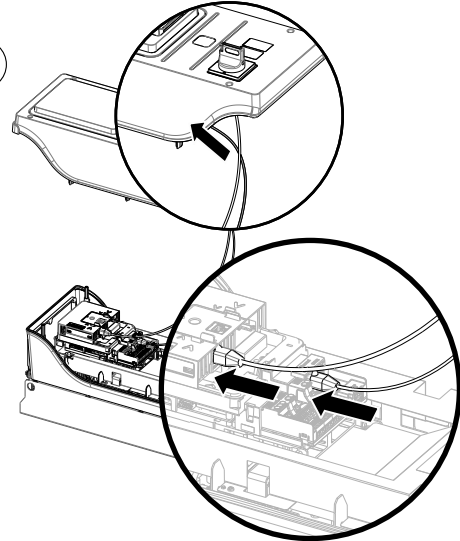
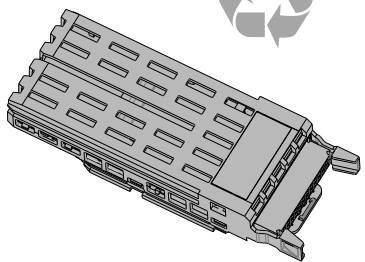
Removing

3 



4 

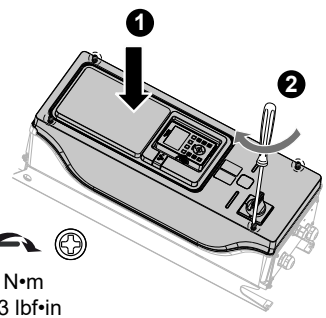
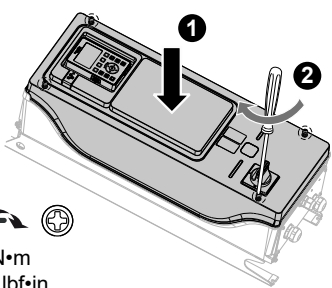
5 



6

IP55  
Up to ATV950D11N4

IP55  
ATV950D15N4 to D22N4



1.5 N•m  
13.3 lbf•in



1.5 N•m  
13.3 lbf•in