



00162468913046

Altivar 212, 21,312, 31, 61, 71

VW3A31811...817, VW3A9206...208

VW3A31811	ATV31●H018M3X, H037M3X, H05M3X, H075M3X
VW3A31812	ATV31●H018M2, H037M2, H055M2, H075M2
VW3A31813	ATV31●HU11M3X, HU15M3X
VW3A31814	ATV31●HU11M2, HU15M2, HU22M3X, H037N4 ATV31●H055N4, H075N4, HU11N4, HU15N4 ATV31●H075S6X, HU15S6X ATV21●H075M3X, HU15M3X, HU22M3X ATV21●H075N4, HU15N4, HU22N4
VW3A31815	ATV31●HU22M2, HU30M3X, HU40M3X, HU22N4 ATV31●HU30N4, HU40N4, HU22S6X, HU40S6X ATV21●HU30M3X, HU40M3X ATV21●HU30N4, HU40N4, HU55N4
VW3A31816	ATV31●HU55M3X, HU75M3X, HU55N4, HU75N4 ATV31●HU55S6X, HU75S6X ATV21●HU55M3X, HU75M3X ATV21●HU75N4, HD11N4
VW3A31817	ATV31●HD11M3X, HD15M3X, HD11N4, HD15N4 ATV31●HD11S6X, HD15S6X ATV21●HD11M3X, D15M3X, HD18M3X ATV21●HD15N4, HD18N4
VW3A9206	ATV21●HD22M3X,HD22N4, HD30N4 ATV●1HD18M3X, HD22M3X, HD22N4, HD18M3X, HD22M3X, HD22N4
VW3A9207	ATV21●HD37N4, ATV 21●HD45N4 ATV●1HD30N4, HD37N4
VW3A9208	ATV21●HD30M3X, HD55N4, HD75N4 ATV●1HD45N4, HD75N4

DANGER

HAZARD OF ELECTRIC SHOCK, EXPLOSION, OR ARC FLASH

- Only appropriately trained persons who are familiar with and fully understand the contents of the present manual and all other pertinent product documentation and who have received all necessary training to recognize and avoid hazards involved are authorized to work on and with this equipment.
- Installation, adjustment, repair, and maintenance must be performed by qualified personnel.
- Verify compliance with all local and national electrical code requirements as well as all other applicable regulations with respect to grounding of all equipment.
- Before performing work and/or applying voltage on the equipment, follow the instructions given in the appropriate installation manual.

Failure to follow these instructions will result in death or serious injury.

Electrical equipment should be installed, operated, serviced, and maintained only by qualified personnel. No responsibility is assumed by Schneider Electric for any consequences arising out of the use of this product. © 2025 Schneider Electric. All Rights Reserved.

CAUTION

SHARP EDGES



Use all necessary personal protective equipment (PPE) such as gloves when performing any type of work whatsoever on or with this product.

Failure to follow these instructions can result in injury or equipment damage.

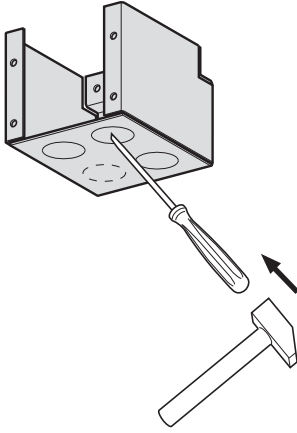
UK MANUFACTURER
Schneider Electric Industries SAS
35 rue Joseph Monier
CA Rueil Malmaison 92500 France

UK REPRESENTATIVE
Schneider Electric Limited
Stafford Park 5
Telford, TF3 3BL United Kingdom

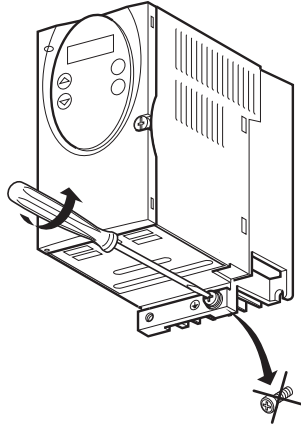
EAC Опция для продуктов Altivar и Altistart.
Пожалуйста, обратитесь к сообщению о преобразователе частоты EAC / программном сартере в приложении к началу работы, размещенном на веб-сайте производителя.
Авторизованный поставщик в Республике Казахстан: ТОО «Шнейдер Электрик»
Адрес: 050010, РК, г. Алматы, пр. Достык, 38, бизнес-центр «Кен Дала», 5 этаж, левое крыло.
Тел.: +7 (727) 339 23 57
Номер службы поддержки клиентов:
Тел.: +7 (727) 339 24 52

Altivar және Altistart өніміне арналған опция. Өндірушінің веб-сайтында орналастырылған «Жұмысқа кірісу» қосымшасындағы EAC жиілік инвертер / бірқалыпты іске қосу құрылғысы хабарламасына сілтеме жасауыңызды сұраймыз.
Қазақстан Республикасындағы уәкілетті жеткізуші: ЖШС «Шнейдер Электрик»
Мекен-жайы: 050010, ҚР, Алматы қаласы, Достық даңғылы, 38, «Кең дала» бизнес орталығы, 5-қабат, сол қанат.
тел.: +7 (727) 339 23 57
Клиенттерге қызмет көрсету нөмірі:
тел.: +7 (727) 339 24 52

1)

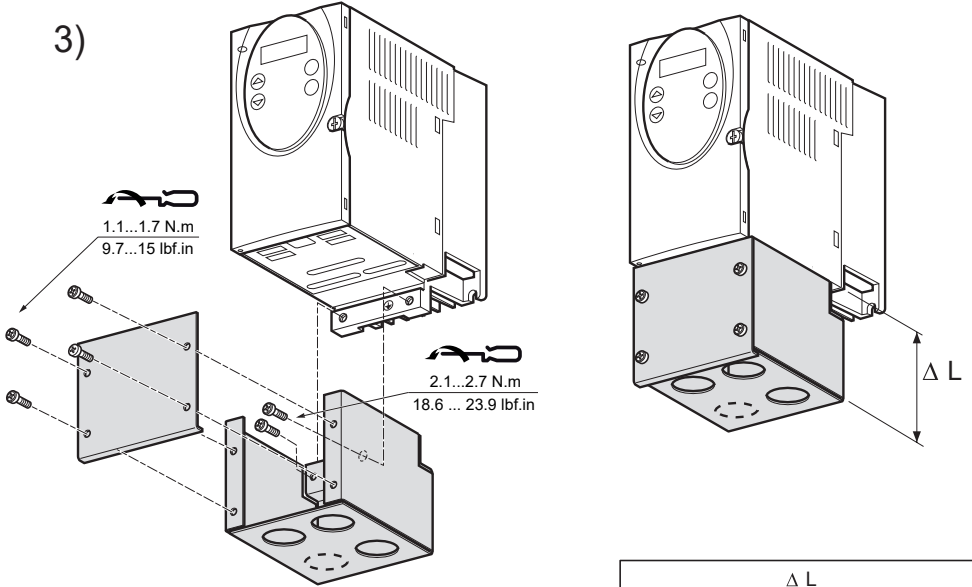


2)



4)

3)



	ΔL
VW3A31811	68 mm (2.66 inch)
VW3A31812	68 mm (2.66 inch)
VW3A31813	68 mm (2.66 inch)
VW3A31814	68 mm (2.66 inch)
VW3A31815	68 mm (2.66 inch)
VW3A31816	96 mm (3.76 inch)
VW3A31817	99 mm (3.88 inch)
VW3A9206	59.9 mm (2.4 inch)
VW3A9207	51.5 mm (2 inch)
VW3A9208	136 mm (5.4 inch)