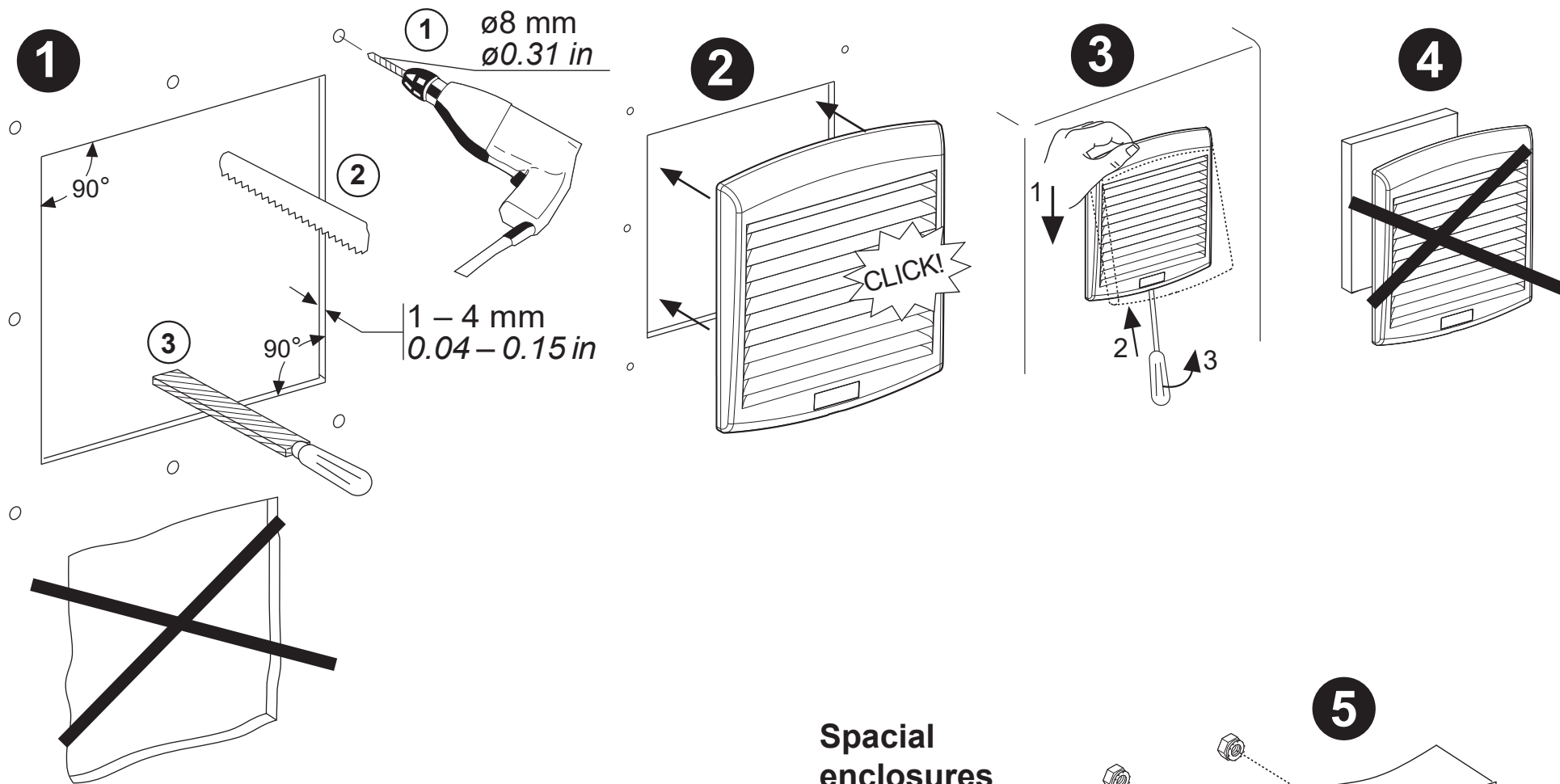


∅8 mm
∅0.31 in

291 mm⁺²₋₀ (11.45 in^{+0.07}₋₀)



Thalassa enclosures

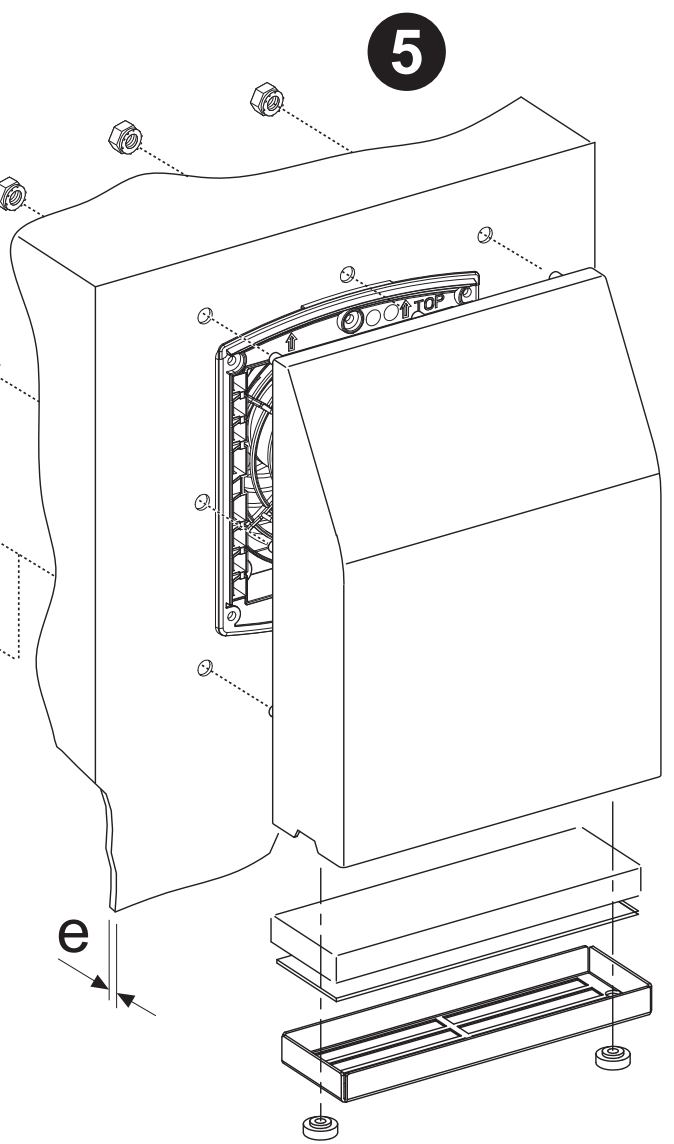
1,5 N.m
13.2 lb-in

$e \geq 3 \text{ mm}$
 $e \geq 0.12 \text{ in}$

$e < 3 \text{ mm}$
 $e < 0.12 \text{ in}$

Special enclosures

4,5 N.m
39.8 lb-in



291 mm⁺²₋₀ (11.45 in^{+0.07}₋₀)