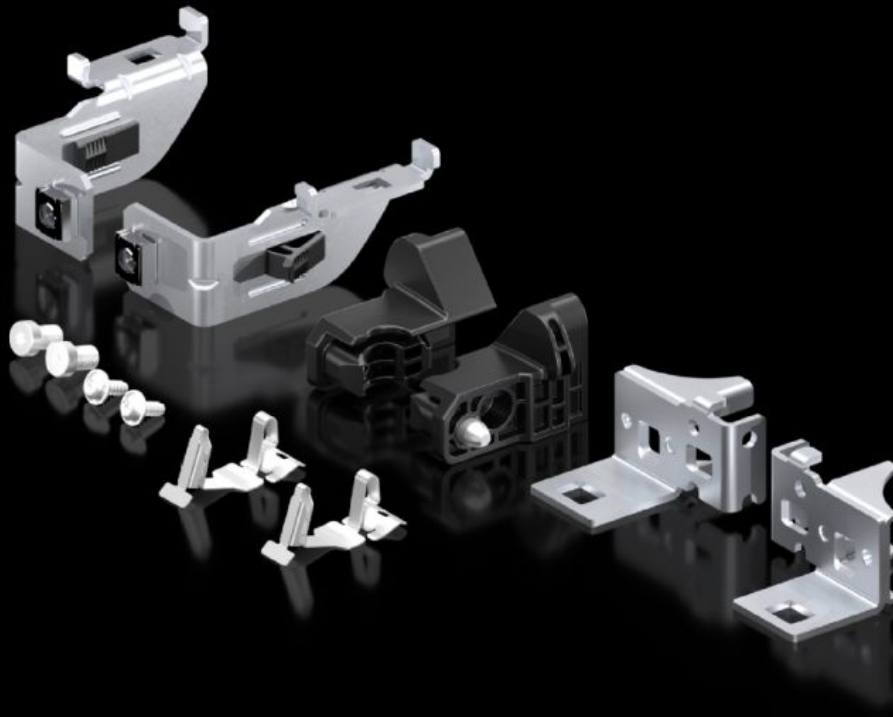


Rittal – The System.

Faster – better – everywhere.



VX 5050.816

Mounting plate attachment

State: 06/10/2025 (Source: rittal.com/com-en)

ENCLOSURES

POWER DISTRIBUTION

CLIMATE CONTROL

IT INFRASTRUCTURE

SOFTWARE & SERVICES

FRIEDHELM LOH GROUP



VX 5050.816 - Mounting plate attachment for VX SE, SE, TP, PC, IW

Features

Model No.	VX 5050.816
Packs of	1 pc(s).
Net weight	0.65
Gross weight	0.66
Customs tariff number	83024900
EAN	4028177970731