

IEC	2,5 - 10 mm <sup>2</sup> (Cu) 2,5 Nm		
UL	AWG 10 75 °C copper 44 lb-in	AWG 10 - 6 75 °C copper 44 lb-in	-
	12 mm		

For further information: [www.rittal.com](http://www.rittal.com)



**SV**  
9342.200  
9342.210



Raum für Verpackungsdatum  
Area for date of packing  
( MMJJTT / MMYDD )

1 SV Anschlussadapter 63A  
60 mm Schienenmittenabstand

1 SV connection adaptor 63A  
60 mm busbar centre distance

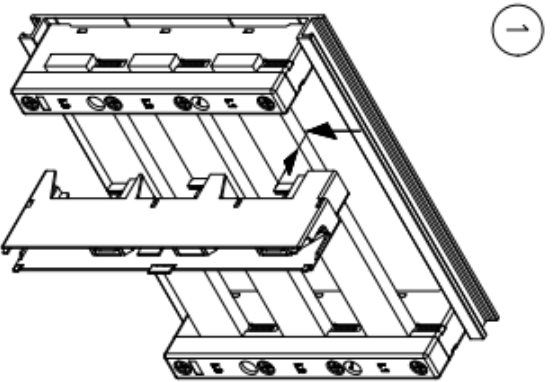
1 Adaptateur pour raccordements SV 63A  
60 mm d'écartement entre les axes des barres

Article No.	SV9342.200, SV9342.210	
Suitable for use on a circuit capable of delivering not more than SCCR symmetrical amperes [kA]	Maximum voltage AC [V]	Maximum condition when protected by
65	600	Class J 60A Fuses
	480	Circuit breaker (UL category NLRV/7) rated up to 65A, having an interrupting rating not less than 65kA symmetrical amperes
50	600	Class K5 60A Fuses

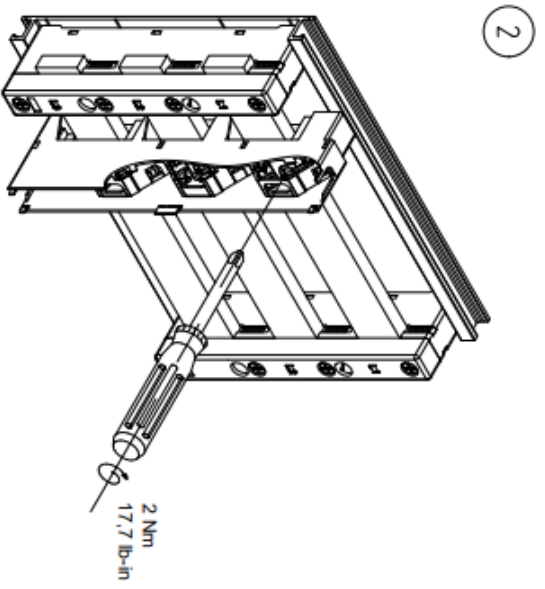
Zchn.-Nr. / No. of dwg. : A3505105SV

Versandbeutel-Nr. / No. of accessory bag : -

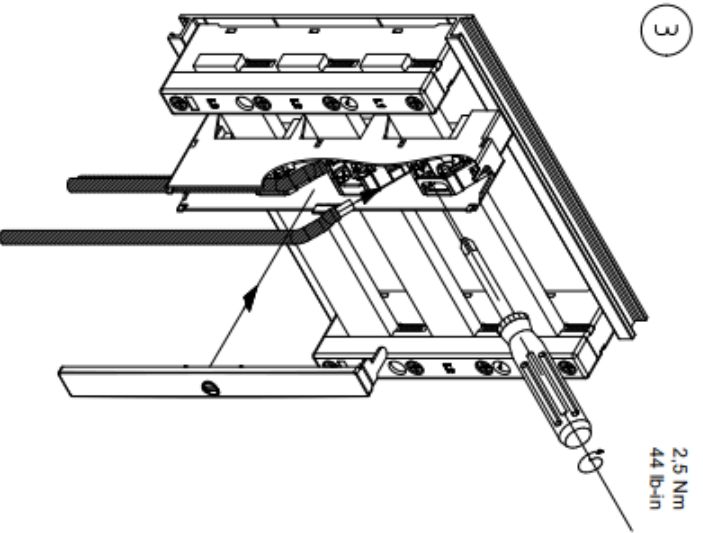
Lieferanten-Nr. / No. of supplier :



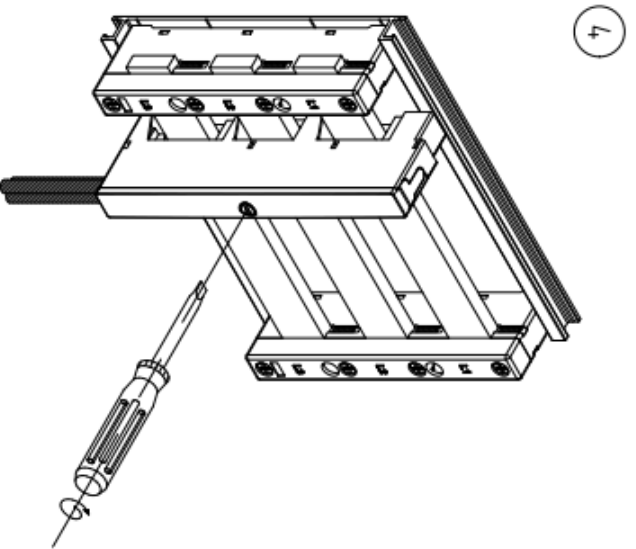
1



2



3



4

