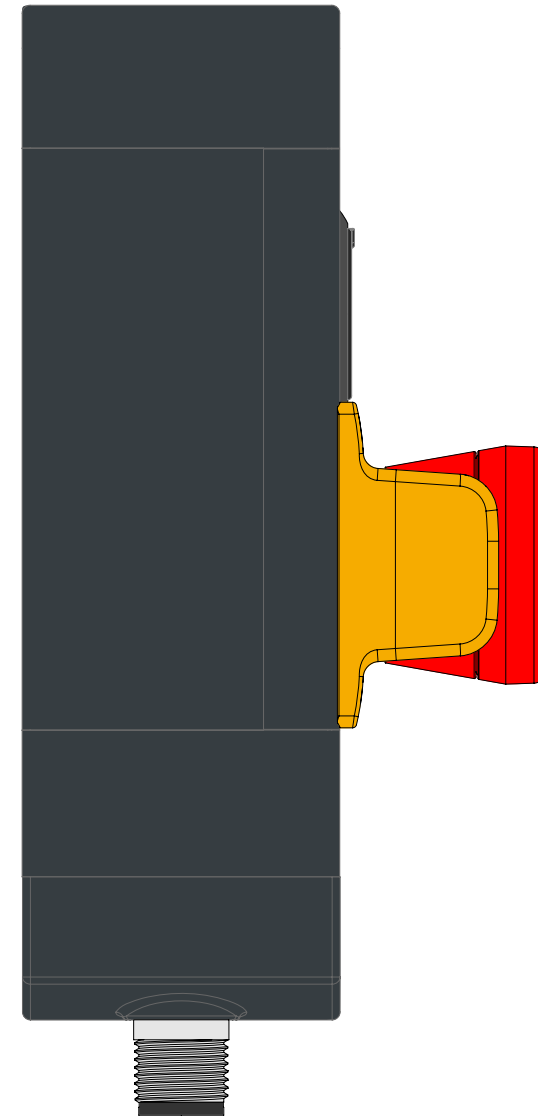
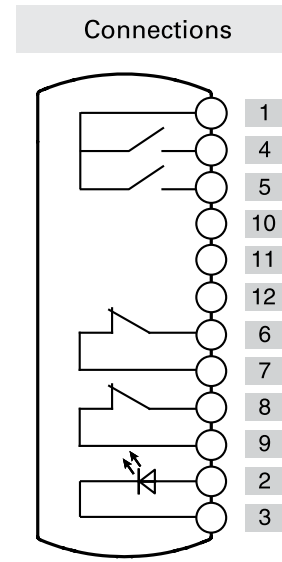


Non-illuminated  
button  
spring-return

Emergency  
push button

	Contacts	Diagram
Device 1	1NO	
Device 2	2NC+NO	



Connector	M12 with 12 pole at the bottom	
-----------	-----------------------------------	--