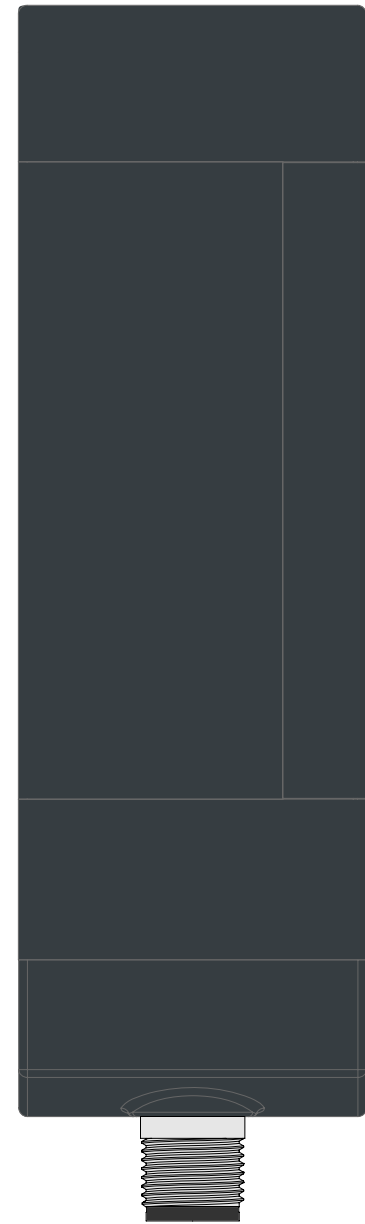
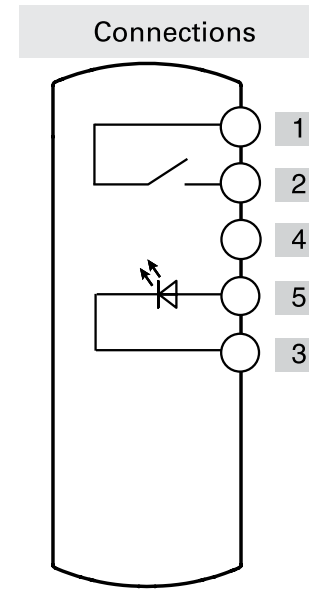




Illuminated
button
spring-return

	Contacts	Diagram
Device 1	1NO	



Connector	M12 with 5 pole at the bottom	