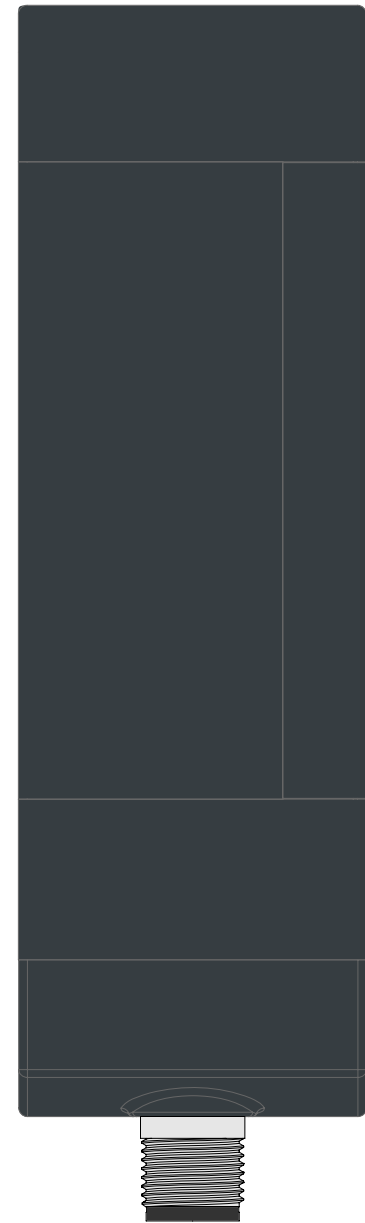
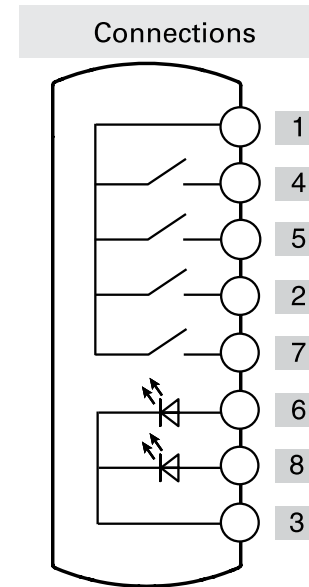




Illuminated
button
spring-return

Non-illuminated
button
spring-return

	Contacts	Diagram
Device 1	2NO	
Device 2	2NO	



Connector	M12 with 8 pole at the bottom	
-----------	----------------------------------	--