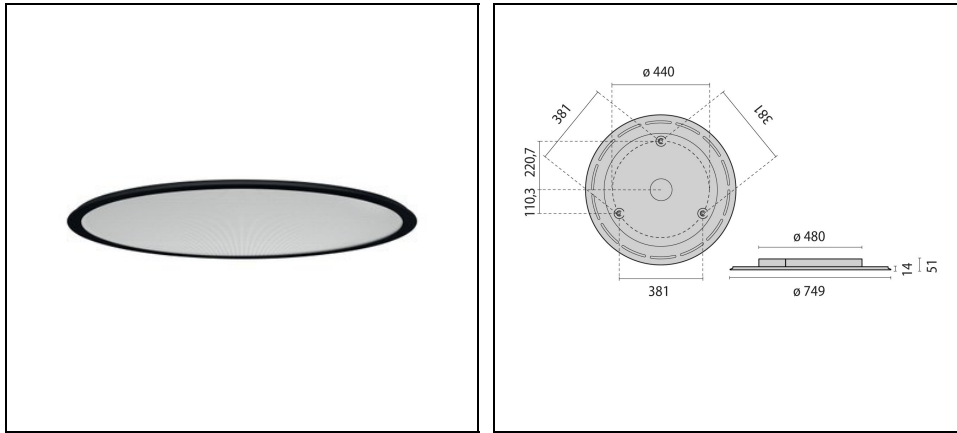


SL713AB ROUND LED MICROPRISMATIC L

Part number 3122309



Description

Surface-mounted round LED luminaire for indoor, comprising:

- Aluminium profile lightframe, steel sheet canopy, painted
- Micro-prismatic diffuser for efficient light distribution, glare reduction and high uniformity (MP)
- Predominantly direct light distribution
- LED Sidelight-Technology for a homogenous light distribution over the entire area of the cover
- Colour tolerance according to MacAdam ≤ 3 SDCM
- Built-in driver
- VDU application suitable acc. to EN 12464-1
- Special colour versions available. Consult factory

To maintain the regular updating of our products, PERFORMANCE iN LIGHTING reserves the right to make changes without prior notice. For the most up to date information we always recommend you read the latest version published on the website www.performanceinlighting.com. Delivered luminaire lumen outputs and power consumptions, including losses, are subject to a tolerance of +/- 7%, and unless otherwise stated the values apply to an ambient temperature of 25°C. Terms of warranty are available at <https://www.performanceinlighting.com/qr/company/led-warranty>

Product data

ETIM Group:	EG000027	ETIM Class:	EC002892
-------------	----------	-------------	----------

General information

Lampholder:	LED	Light source:	LED
Lightsource lumen output [lm]:	7760	Luminaire lumen output [lm]:	5930
Luminaire wattage [W]:	46 W	Luminous efficacy [lm/W]:	129
CRI:	80	Colour temperature [K]:	3000
Colour / Finishing:	BK-RAL9005 / Black RAL9005 / Textured	IP degree of protection:	IP20
IK-J-xxIP:	IK05 0.7J xx3	Protection class:	I
Optic:	S/B - Symmetric mainly direct	Beam angle:	2 x 48° / 47°
Net weight [kg]:	10.335	Overall diameter [mm]:	749
Overall height [mm]:	56		

Mechanical features

Shape:	Round \geq 300 mm	Housing material:	Aluminium
Diffuser material:	Plastic	Glow wire test [°C]:	650 °C

Electrical features

Voltage type:	AC/DC	Input voltage [V AC]:	220/240
Input frequency [Hz]:	220-240V 0/50/60Hz	Power factor / COS Φ :	0.9
EEL:	A1		

Installation

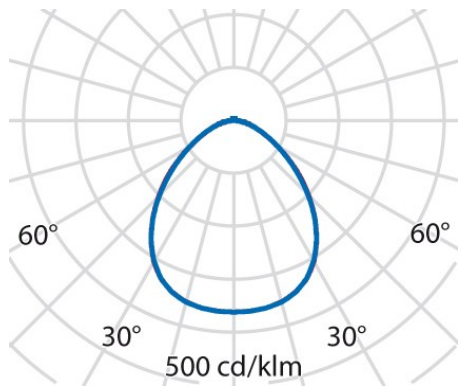
Application area:	Indoor	Mounting type:	Ceiling surface
Min. ambient temperature [°C]:	10	Max. ambient temperature [°C]:	40

Light features

MacAdam:	3	Lumen maintenance:	L80B10@50000h
DFF - Downward Flux Fraction [%]:	98	UFF - Upward Flux Fraction [%]:	2
UGR max.:	19.0		

To maintain the regular updating of our products, PERFORMANCE IN LIGHTING reserves the right to make changes without prior notice. For the most up to date information we always recommend you read the latest version published on the website www.performanceinlighting.com. Delivered luminaire lumen outputs and power consumptions, including losses, are subject to a tolerance of +/- 7%, and unless otherwise stated the values apply to an ambient temperature of 25°C. Terms of warranty are available at <https://www.performanceinlighting.com/qr/company/led-warranty>

Photometric data



Optional accessories

SL713AB ROUND LED



3122584
Casambi module for installation



3122586
Single wireless wall switch
 WH-87 / White



3122587
Double wireless wall switch
 WH-87 / White