

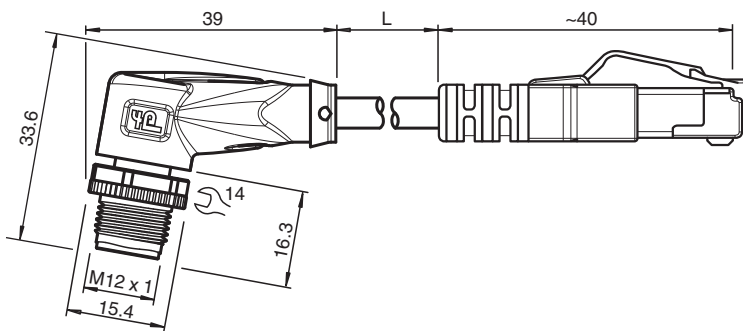
Connection cable, Ethernet V1SD-90-W-GN3M-PUR-E2S-V45-G

- Hard-wearing PUR cable
- Suitable for drag chains and abrasion resistant
- D coding for Ethernet
- CAT5/CAT5e cable
- Degree of protection IP68 / IP69
- Free of paint wetting interfering substances
- UV resistant
- Halogen-free
- Specific design protects against loosening and inaccurate installation

Ethernet bus cable M12 plug angled D-coded to RJ45 Ethernet-coded, 4-pin, PUR cable green, Cat5e, shielded



Dimensions



Technical Data

General specifications

Customization	Coding rotated by -90°	
Connector 1		
Connection	plug	
Construction type	M12	
Style	angled	
Locking	screw connection	
Number of pins	4	
Coding	D-coded	
Customization	Coding rotated by -90°	
Connector 2		
Connection	plug	
Construction type	RJ45	
Style	straight	
Locking	snap locking	
Number of pins	8	
Coding	EtherNet/IP	

Electrical specifications

Operating voltage	U _B	max. 48 V AC / 60 V DC
Operating current	I _B	max. 1 A

Release date: 2025-02-26 Date of issue: 2025-02-26 Filename: 70165008_eng.pdf

Refer to "General Notes Relating to Pepperl+Fuchs Product Information".

Pepperl+Fuchs Group
www.pepperl-fuchs.com

USA: +1 330 486 0001
fa-info@us.pepperl-fuchs.com

Germany: +49 621 776 1111
fa-info@de.pepperl-fuchs.com

Singapore: +65 6779 9091
fa-info@sg.pepperl-fuchs.com

PEPPERL+FUCHS

Technical Data

Conformity		
Degree of protection		EN 60529
Plug connection		connector M12 x 1 : IEC 61076-2-101 connector RJ45 : IEC 60603-7
Component category		CAT5 (IEC 11801) , CAT5e (IEC 61156-6)
Flammability		IEC 60332-1-2 / UL 1581 / ISO 6722-1 5.22 (UN ECE-R 118.01)
Halogen-free		IEC 60754-1
Chemical resistance		DIN EN 60811-2-1
UV resistance		UL 1581 section 1200
Microbial resistance		DIN EN 50525-2-21 / DIN VDE 0282-10
Oil resistance		DIN EN 60811-2-1
Ambient conditions		
Ambient temperature		
Connector 1		-40 ... 90 °C (-40 ... 194 °F)
Cable, fixed installation		-40 ... 80 °C (-40 ... 176 °F)
Cable, flexing		-30 ... 70 °C (-22 ... 158 °F)
Mechanical specifications		
Connector 1		
Tightening torque		0.6 Nm
Loosening protection		integrated
Tool installation		straight knurling and hexagon nut SW = 14 mm
Mating cycles		min. 100
Shielding		shield connected to screw connection
Degree of protection		IP68 / IP69
Connector 2		
Loosening protection		integrated
Mating cycles		min. 100
Shielding		shield connected to connector
Degree of protection		IP20
Cable		according to IEC/EN 60228 (DIN VDE 0295) class 5
Sheath diameter		4.9 mm
Bending radius		> 12 x cable diameter, movable installation > 6 x cable diameter, fixed installation
Sheath stripping force		max. 50 N / 100 mm
Sheath color		green (similar to RAL 6018)
Number of cores		4
Core cross section		0.15 mm ² / 26 AWG
Cores color		Core 1-1: white/orange Core 2-3: white/green Core 3-2: orange Core 4-6: green
Core construction		19 x 0.1 mm Ø twisted quad
Shield		aluminum-lined polyester foil Tinned copper braiding, 85 % coverage
Length	L	3 m
Cable code		Li 9Y 11YM 4 x 0,15
Drag chain suitability		
Drag chain cycles		max. 1000000
Motion velocity		max. 3 m/s
Traverse distance		max. 4.5 m
Acceleration		max. 3 m/s ²
Mass		120 g
Material		
PWIS free		yes
Halogen-free		yes

Release date: 2025-02-26 Date of issue: 2025-02-26 Filename: 70165008_eng.pdf

Technical Data

Connector 1		
Screw connection		Zinc diecast, nickel-plated
Body		TPU, black
Contact surface		Au
Flammability		V-2
Connector 2		
Body		PA, green
Flammability		V-0
Cable		
Sheathing		PUR based on polyether
Cores		bare copper (Cu)
Core insulation		PP
UV resistance		yes
Oil resistance		yes
Microbial resistance		yes
Flammability		FT1 complies with UN ECE-R 118.01

Connection Assignment

