



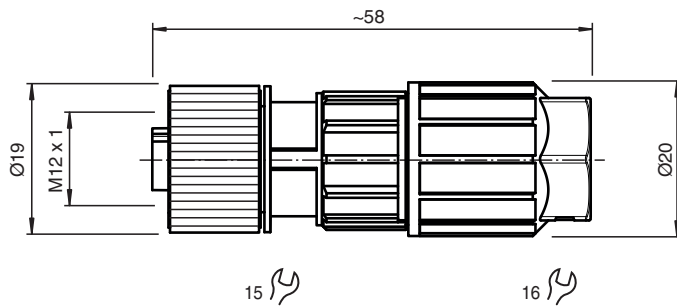
Female connector, field-attachable V15-G-Q3

- Insulation displacement connection
- Metal locking
- Knurled nut suitable for tool assembly

Female connector M12 straight A-coded 5-pin, for cable diameter 4 - 7 mm, field-attachable, insulation displacement connection



Dimensions



Technical Data

General specifications

Connector 1	
Connection	socket
Construction type	M12
Style	straight
Locking	screw connection
Number of pins	5
Coding	A-coded

Electrical specifications

Operating voltage	U_B	max. 48 V AC / 60 V DC
Operating current	I_B	max. 4 A
Insulation resistance		min. 100 M Ω

Conformity

Degree of protection	EN 60529
Plug connection	connector M12 x 1 : IEC 61076-2-101

Ambient conditions

Release date: 2025-01-30 Date of issue: 2025-01-30 Filename: 70152941_eng.pdf

Refer to "General Notes Relating to Pepperl+Fuchs Product Information".

Pepperl+Fuchs Group
www.pepperl-fuchs.com

USA: +1 330 486 0001
fa-info@us.pepperl-fuchs.com

Germany: +49 621 776 1111
fa-info@de.pepperl-fuchs.com

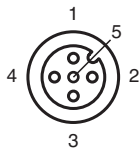
Singapore: +65 6779 9091
fa-info@sg.pepperl-fuchs.com

PF PEPPERL+FUCHS

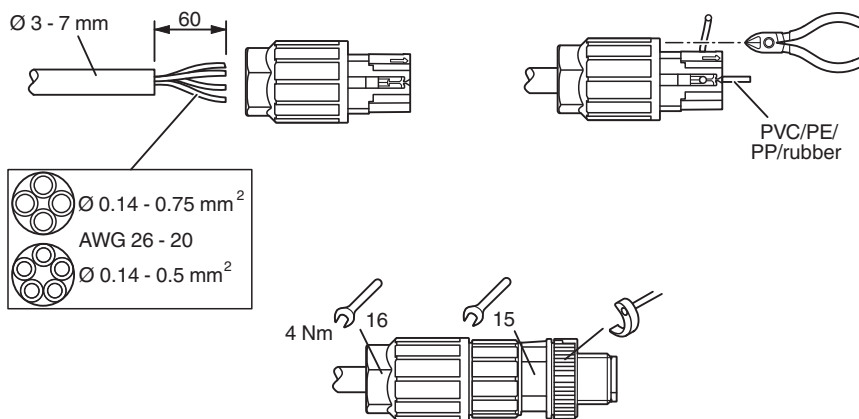
Technical Data

Ambient temperature	-40 ... 85 °C (-40 ... 185 °F)
Pollution degree	3
Mechanical specifications	
Plug connector	
Tightening torque	0.4 Nm
Tool installation	straight knurling
Mating cycles	min. 100
Degree of protection	IP65
Connection	Insulation displacement connection for 0.14 ... 0.5 mm ² / AWG 26 ... AWG 20
Cable	
Sheath diameter	4 ... 7 mm
Core cross section	0.5 mm ² / 20 AWG max.
Mass	22.2 g
Material	
Plug connector	
Screw connection	Zinc diecast, nickel-plated
Body	PA, black
Seal	FKM
Contact surface	Ni/Au
Flammability	V-0

Connection Assignment



Connection



Release date: 2025-01-30 Date of issue: 2025-01-30 Filename: 70152941_eng.pdf