



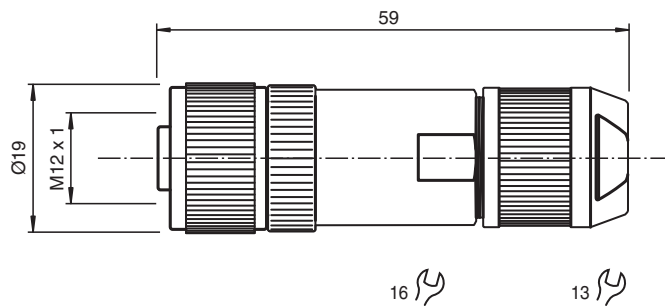
Female connector, field-attachable V1D-G-ABG-PG9-Q3

- D coding for Ethernet
- Conforms to PROFINET
- Field-attachable, shieldable
- Metal housing
- Insulation displacement connection
- Shield connected to connector

Female connector M12 straight D-coded 4-pin, shielded, for cable diameter 4 - 8 mm, field-attachable, insulation displacement connection



Dimensions



Technical Data

General specifications

| | | |
|-------------------|--|------------------|
| Connector 1 | | |
| Connection | | socket |
| Construction type | | M12 |
| Style | | angled |
| Locking | | screw connection |
| Number of pins | | 4 |
| Coding | | D-coded |

Electrical specifications

| | | |
|-----------------------|-------|------------------------|
| Operating voltage | U_B | max. 48 V AC / 60 V DC |
| Operating current | I_B | max. 1.75 A |
| Insulation resistance | | min. 100 MΩ |

Conformity

| | | |
|----------------------|--|-------------------------------------|
| Degree of protection | | EN 60529 |
| Fieldbus standard | | PROFINET |
| Plug connection | | connector M12 x 1 : IEC 61076-2-101 |

Release date: 2025-01-30 Date of issue: 2025-01-30 Filename: 70143670_eng.pdf

Refer to "General Notes Relating to Pepperl+Fuchs Product Information".

Pepperl+Fuchs Group
www.pepperl-fuchs.com

USA: +1 330 486 0001
fa-info@us.pepperl-fuchs.com

Germany: +49 621 776 1111
fa-info@de.pepperl-fuchs.com

Singapore: +65 6779 9091
fa-info@sg.pepperl-fuchs.com

 PEPPERL+FUCHS

Technical Data

| | |
|----------------------------------|--|
| Component category | CAT5 (IEC 11801) |
| Flammability | UL 94 |
| Ambient conditions | |
| Ambient temperature | -40 ... 85 °C (-40 ... 185 °F) |
| Pollution degree | 3 |
| Mechanical specifications | |
| Plug connector | |
| Tightening torque | 0.4 Nm knurl / 0.8 Nm plug insert / 3.0 Nm pressure nut |
| Tool installation | straight knurling , SW = 16 mm , SW = 13 mm |
| Mating cycles | min. 100 |
| Shielding | shield connected to connector |
| Degree of protection | IP67 |
| Connection | Insulation displacement connection for 0.25 ... 0.34 mm ² |
| Cable | |
| Sheath diameter | 4 ... 8 mm |
| Core cross section | 0.34 mm ² / 22 AWG max. |
| Mass | 51.8 g |
| Material | |
| Plug connector | |
| Screw connection | brass, nickel-plated |
| Body | Zinc diecast, nickel-plated |
| Seal | Neoprene |
| Contact surface | Ni/Au |
| Flammability | V-0 |

Connection

