

# Male connector, field-attachable

## V19SX-G-ABG

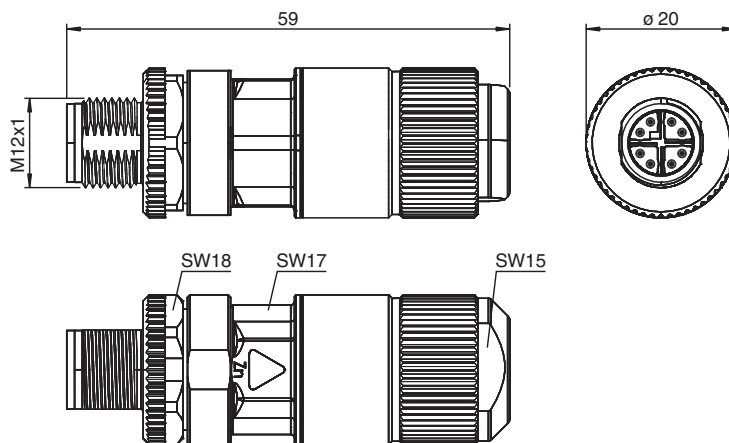


- Suitable for Gigabit Ethernet
- Field-attachable
- Sturdy metallic housing
- All-round shielding (360°) for full EMC protection
- Insulation displacement connection
- Immunity to vibration, with mechanical latching

Male connector M12 straight X-coded 8-pin, Cat6A, shielded, for cable diameter 5.5 - 9 mm, field-attachable, insulation displacement connection



### Dimensions



### Technical Data

#### General specifications

Connector 1	
Connection	plug
Construction type	M12
Style	straight
Locking	screw connection
Number of pins	8
Coding	X-coded

#### Electrical specifications

Operating voltage	$U_B$	max. 50 V AC / 60 V DC
Operating current	$I_B$	max. 0.5 A
Volume resistance		max. 15 m $\Omega$
Contact resistance		max. 5 M $\Omega$
Insulation resistance		min. 100 M $\Omega$

#### Conformity

Degree of protection	EN 60529
----------------------	----------

Release date: 2024-05-17 Date of issue: 2024-05-17 Filename: 70118035\_eng.pdf

Refer to "General Notes Relating to Pepperl+Fuchs Product Information".

Pepperl+Fuchs Group  
www.pepperl-fuchs.com

USA: +1 330 486 0001  
fa-info@us.pepperl-fuchs.com

Germany: +49 621 776 1111  
fa-info@de.pepperl-fuchs.com

Singapore: +65 6779 9091  
fa-info@sg.pepperl-fuchs.com

 PEPPERL+FUCHS

## Technical Data

Fieldbus standard	IEEE 802.3an 10GBASE-T
Transmission technology	suitable for PoE+ Power over Ethernet IEEE 802.3at
Plug connection	connector M12 x 1 : IEC 61076-2-109
Component category	CAT6A (IEC 11801, EN 50173)
<b>Ambient conditions</b>	
Ambient temperature	-40 ... 85 °C (-40 ... 185 °F)
Pollution degree	3
<b>Mechanical specifications</b>	
Plug connector	
Tightening torque	0.6 Nm
Loosening protection	available
Tool installation	straight knurling , hexagon nut SW = 18 mm
Mating cycles	min. 100
Shielding	via Body
Degree of protection	IP67
Connection	Wire manager included with delivery
Cable	
Sheath diameter	5,5 ... 9 mm
Core cross section	solid: 0.25 ... 0.34 mm <sup>2</sup> (24 ... 22/1 AWG) stranded: 0.10 ... 0.34 mm <sup>2</sup> (27 ... 22/7 AWG)
Mass	76 g
<b>Material</b>	
Plug connector	
Screw connection	Zinc diecast, nickel-plated
Body	Zinc diecast, nickel-plated / brass, nickel-plated
Seal	NBR
Contact surface	Au / Ni

## Connection Assignment

