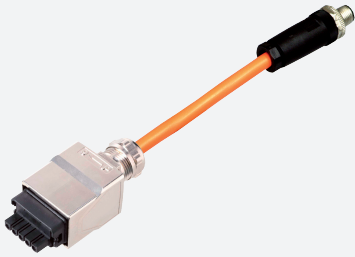


Connection cable

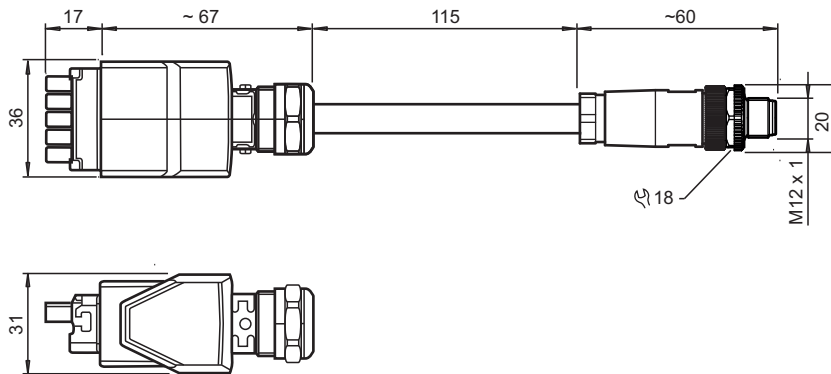
ICZ-AIDA3-MSTB-0,2M-PUR-V1-G

■ Lockable



Connection cable MSTB to M12 connector

Dimensions



Technical Data

General specifications	
Number of pins	2
Electrical specifications	
Operating current	I_B max. 4 A
Nominal voltage	24 V
Ambient conditions	
Ambient temperature	-25 ... 70 °C (-13 ... 158 °F)
Mechanical specifications	
Degree of protection	IP65
Connection	5-pin Combicon socket on 4-pin M12 connector
Material	
Contacts	CuZn
Contact surface	CuSnZn
Housing	Zinc die-casting, nickel-plated
Connector	CuZn
Body	PA

Release date: 2020-03-24 Date of issue: 2020-03-27 Filename: 303083_eng.pdf

Refer to "General Notes Relating to Pepperl+Fuchs Product Information".

Pepperl+Fuchs Group
www.pepperl-fuchs.com

USA: +1 330 486 0001
fa-info@us.pepperl-fuchs.com

Germany: +49 621 776 1111
fa-info@de.pepperl-fuchs.com

Singapore: +65 6779 9091
fa-info@sg.pepperl-fuchs.com

PF PEPPERL+FUCHS

Technical Data

Cable	
Sheath diameter	7.8 mm
Color	orange
Cores	2 x 1.5 mm ²
Mass	140 g

Connection

