



Female connector, field-attachable

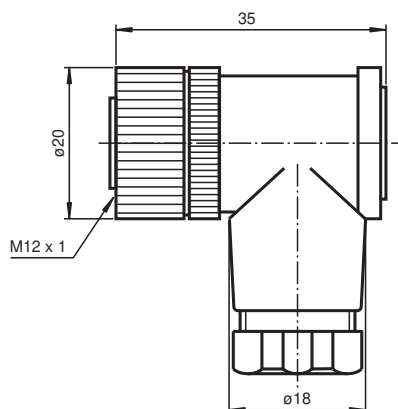
V1-W-E/E2-LED-SET

- LEDs as function indicators
- UL Recognized Component

Female connector M12 angled A-coded 4-pin with LED PCB, for cable diameter 4 - 6 mm, field-attachable



Dimensions



Technical Data

General specifications

Connector 1		
Connection		socket
Construction type		M12
Style		angled
Locking		screw connection
Number of pins		4
Coding		A-coded
Customization		Coding rotateable in steps of 90°

Indicators/operating means

LED green		Operating display
LED yellow		Functional display NO

Electrical specifications

Operating voltage	U_B	max. 24 V DC \pm 15%
Operating current	I_B	max. 4 A
Volume resistance		< 3 m Ω

Conformity

Release date: 2024-12-05 Date of issue: 2024-12-05 Filename: 261582_eng.pdf

Refer to "General Notes Relating to Pepperl+Fuchs Product Information".

Technical Data

Degree of protection	EN 60529
Plug connection	connector M12 x 1 : IEC 61076-2-101
Approvals and certificates	
UL File Number	E363587
Ambient conditions	
Ambient temperature	-40 ... 85 °C (-40 ... 185 °F)
Pollution degree	3
Mechanical specifications	
Degree of protection	IP67
Connection	screw terminals for max. 0.75 mm ² / AWG 18 PG7 cable gland
Cable	
Sheath diameter	4 ... 6 mm
Core cross section	0.75 mm ² / 18 AWG max.
Mass	17.83 g
Material	
Plug connector	
Screw connection	Zinc diecast, nickel-plated
Body	PBT
Contact surface	gold plated (Au)

Connection Assignment

