

Female connector, field-attachable

V1-W-SC

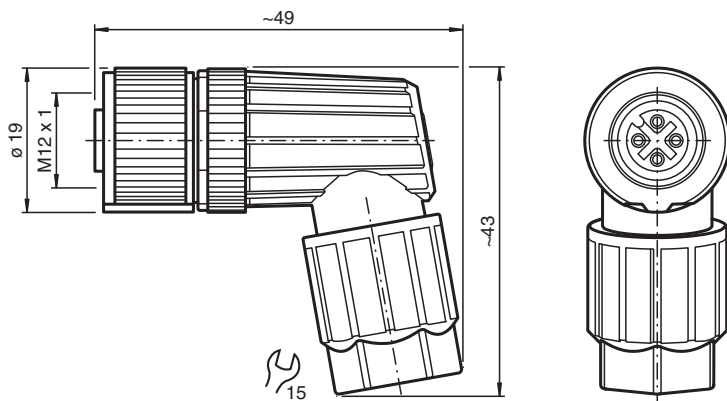


- Field-attachable
- Cage spring connection
- Metal locking
- Knurled nut suitable for tool assembly

Female connector M12 angled A-coded 4-pin, for cable diameter 4 - 8 mm, field-attachable, cage spring connection



Dimensions



Technical Data

General specifications

Connector 1	
Connection	socket
Construction type	M12
Style	angled
Locking	screw connection
Number of pins	4
Coding	A-coded
Customization	Coding rotateable in steps of 45°

Electrical specifications

Operating voltage	U_B	max. 250 V AC/DC
Operating current	I_B	max. 4 A
Volume resistance		< 5 mΩ
Insulation resistance		min. 100 MΩ

Conformity

Degree of protection	EN 60529
Plug connection	connector M12 x 1 : IEC 61076-2-101

Ambient conditions

Release date: 2025-01-30 Date of issue: 2025-01-30 Filename: 235990_eng.pdf

Refer to "General Notes Relating to Pepperl+Fuchs Product Information".

Technical Data

Ambient temperature	-40 ... 85 °C (-40 ... 185 °F)
Pollution degree	3
Mechanical specifications	
Plug connector	
Tightening torque	0.4 Nm
Tool installation	straight knurling
Mating cycles	min. 100
Degree of protection	IP67
Connection	Cage spring connection
Cable	
Sheath diameter	4 ... 8 mm
Core cross section	0.14 ... 0.75 mm ² / 26 ... 18 AWG
Mass	22.6 g
Material	
Plug connector	
Screw connection	CuZn, nickel-plated
Body	PA, black
Seal	NBR
Contact surface	Ni/Au

Connection Assignment

