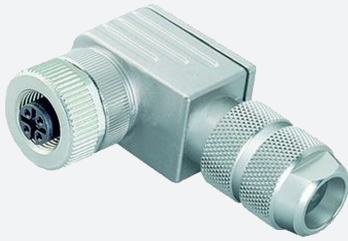


Female connector, field-attachable

V19-W-ABG-PG9

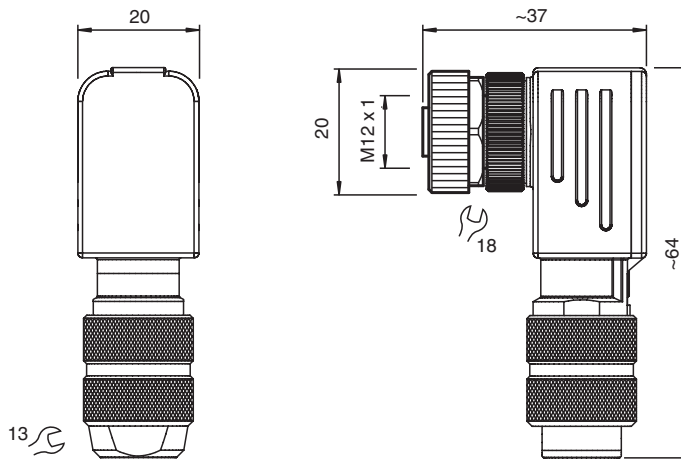


- Field-attachable, shieldable
- Screw terminal connection
- Metal housing
- Iris spring shielding
- Knurled nut suitable for tool assembly
- UL Recognized Component

Female connector M12 angled A-coded 8-pin, for cable diameter 5 - 8 mm, shielded, field-attachable



Dimensions



Technical Data

| General specifications | | | |
|---------------------------|-------|-------------------------------------|--|
| Connector 1 | | | |
| Connection | | socket | |
| Construction type | | M12 | |
| Style | | angled | |
| Locking | | screw connection | |
| Number of pins | | 8 | |
| Coding | | A-coded | |
| Customization | | Coding not rotateable | |
| Electrical specifications | | | |
| Operating voltage | U_B | max. 30 V AC/DC | |
| Operating current | I_B | max. 2 A | |
| Surge protection | | Category II | |
| Insulation resistance | | min. 100 M Ω | |
| Conformity | | | |
| Degree of protection | | EN 60529 | |
| Plug connection | | connector M12 x 1 : IEC 61076-2-101 | |

Release date: 2024-12-05 Date of issue: 2024-12-05 Filename: 231750_eng.pdf

Refer to "General Notes Relating to Pepperl+Fuchs Product Information".

Pepperl+Fuchs Group
www.pepperl-fuchs.com

USA: +1 330 486 0001
fa-info@us.pepperl-fuchs.com

Germany: +49 621 776 1111
fa-info@de.pepperl-fuchs.com

Singapore: +65 6779 9091
fa-info@sg.pepperl-fuchs.com

PF PEPPERL+FUCHS

Technical Data

Approvals and certificates

| | |
|----------------|---------|
| UL File Number | E363587 |
|----------------|---------|

Ambient conditions

| | |
|---------------------|--------------------------------|
| Ambient temperature | -40 ... 85 °C (-40 ... 185 °F) |
| Pollution degree | 3 |

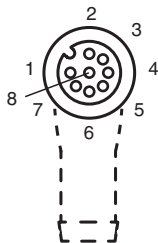
Mechanical specifications

| | |
|----------------------|--|
| Plug connector | |
| Tightening torque | 0.6 Nm |
| Tool installation | straight knurling , hexagon nut SW = 18 mm |
| Mating cycles | min. 100 |
| Shielding | iris spring shielding |
| Degree of protection | IP67 |
| Connection | screw terminals for max. 0.5 mm ² / AWG 20 |
| Cable | |
| Sheath diameter | 5 ... 8 mm |
| Core cross section | 0.5 mm ² / 20 AWG max. |
| Installation | screw terminals 0.2 Nm pressure nut 0.8 ... 1 Nm body 1 Nm |
| Mass | 71.91 g |
| Note | installation: shield diameter ≤ 5.5 mm see instruction leaflet |

Material

| | |
|------------------|-----------------------------|
| Plug connector | |
| Screw connection | Zinc diecast, nickel-plated |
| Body | Zinc diecast, nickel-plated |
| Contact surface | gold plated (Au) |

Connection Assignment



Installation

