

# Male connector, field-attachable

## V3S-WM

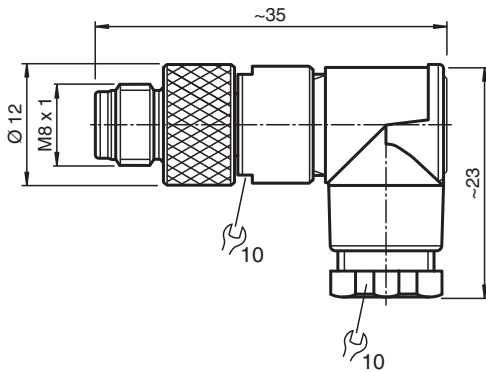


- Solder connection
- Metal locking
- UL Recognized Component

Male connector M8 angled A-coded 3-pin, for cable diameter 3,5 - 5 mm, field-attachable, solder connection



### Dimensions



### Technical Data

General specifications		
Connector 1		
Connection		plug
Construction type		M8
Style		angled
Locking		screw connection
Number of pins		3
Coding		A-coded
Customization		Coding rotateable in steps of 90°
Electrical specifications		
Operating voltage	U <sub>B</sub>	max. 30 V AC/DC
Operating current	I <sub>B</sub>	max. 4 A
Conformity		
Degree of protection		EN 60529
Plug connection		connector M8 x 1 : IEC 61076-2-104
Approvals and certificates		
UL File Number		E363587
Ambient conditions		
Ambient temperature		-40 ... 85 °C (-40 ... 185 °F)

Release date: 2024-06-03 Date of issue: 2024-06-08 Filename: 229288\_eng.pdf

Refer to "General Notes Relating to Pepperl+Fuchs Product Information".

Pepperl+Fuchs Group  
www.pepperl-fuchs.com

USA: +1 330 486 0001  
fa-info@us.pepperl-fuchs.com

Germany: +49 621 776 1111  
fa-info@de.pepperl-fuchs.com

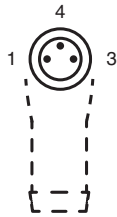
Singapore: +65 6779 9091  
fa-info@sg.pepperl-fuchs.com

**PF** PEPPERL+FUCHS

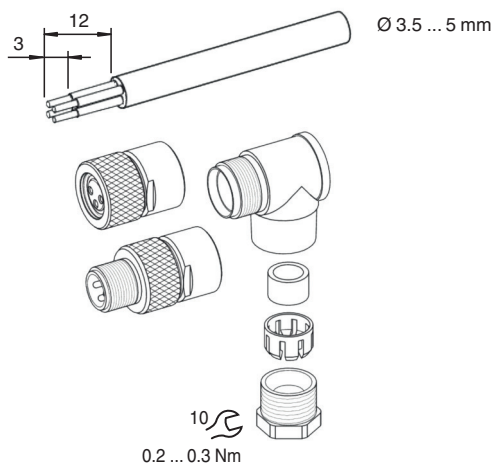
## Technical Data

Pollution degree	3	
<b>Mechanical specifications</b>		
Plug connector		
Tightening torque	0.5 Nm	
Tool installation	cross-hatched knurling	
Mating cycles	min. 100	
Degree of protection	IP67	
Connection	Solder connection for max. 0.25 mm <sup>2</sup> / AWG 24	
Cable		
Sheath diameter	3.5 ... 5 mm	
Core cross section	0.25 mm <sup>2</sup> / 24 AWG max.	
Installation	pressure nut 0.2 ... 0.3 Nm	
Mass	10.3 g	
<b>Material</b>		
Plug connector		
Screw connection	CuZn, nickel-plated	
Body	PA, black	
Contact surface	gold plated (Au)	

## Connection Assignment



## Connection



Release date: 2024-06-03 Date of issue: 2024-06-08 Filename: 229288\_eng.pdf

Refer to "General Notes Relating to Pepperl+Fuchs Product Information".

Pepperl+Fuchs Group  
www.pepperl-fuchs.com

USA: +1 330 486 0001  
fa-info@us.pepperl-fuchs.com

Germany: +49 621 776 1111  
fa-info@de.pepperl-fuchs.com

Singapore: +65 6779 9091  
fa-info@sg.pepperl-fuchs.com

**PF** PEPPERL+FUCHS