



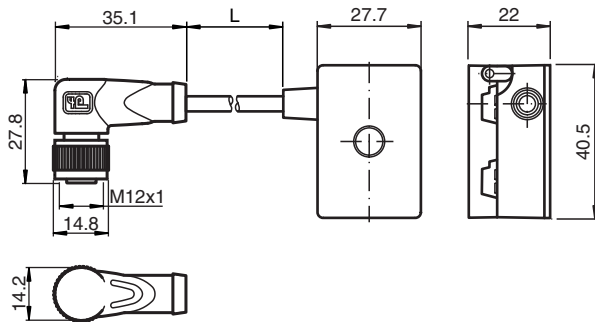
AS-Interface splitter box VAZ-T1-FK-G10-1M-PUR-V1-W

- One piece housing
- Simple and fast mounting
- Gold-plated and machined contacts
- Oil and abrasion resistant PUR line appropriate for drag chains
- Immunity to vibration
- Degree of protection IP68 / IP69K
- Halogen-free

Splitter box G10, AS-Interface to 1x M12 round connector



Dimensions



Technical Data

General specifications			
Construction type	Socket, right-angled AS-Interface flat cable, terminal compartments		
Electrical specifications			
Rated operating voltage	U_e	≤ 60 V PELV	
Rated operating current	I_e	≤ 3 A	
Protection class	III		
Current loading capacity	max. 4 A		
Surge protection	overvoltage category III		
Compliance with standards and directives			
Standard conformity			
Degree of protection	EN 60529:2000		
Approvals and certificates			
UL approval	cULus Listed, Type 1 enclosure		
Application	for use in NFPA 79 applications		
Maximum permissible operating voltage	max. 32 V		
Maximum permissible ambient temperature	max. 55 °C (max. 131 °F)		

Release date: 2024-12-12 Date of issue: 2024-12-12 Filename: 216033_eng.pdf

Refer to "General Notes Relating to Pepperl+Fuchs Product Information".

Pepperl+Fuchs Group
www.pepperl-fuchs.com

USA: +1 330 486 0001
fa-info@us.pepperl-fuchs.com

Germany: +49 621 776 1111
fa-info@de.pepperl-fuchs.com

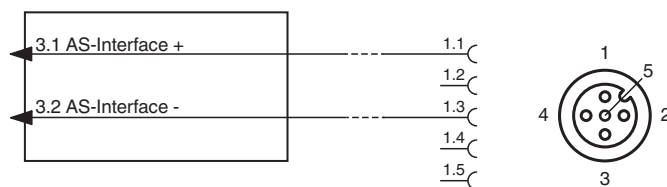
Singapore: +65 6779 9091
fa-info@sg.pepperl-fuchs.com

PEPPERL+FUCHS

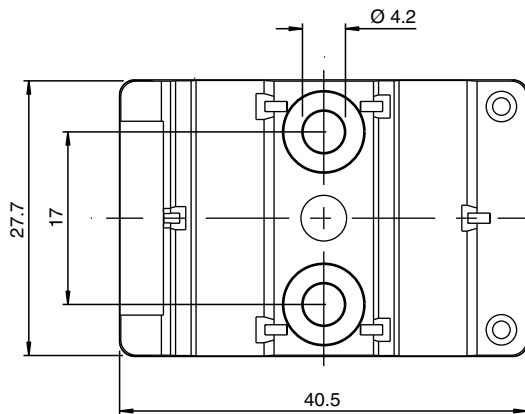
Technical Data

UL File Number		E223772
Ambient conditions		
Ambient temperature		-25 ... 75 °C (-13 ... 167 °F)
Storage temperature		-25 ... 85 °C (-13 ... 185 °F)
Pollution degree		3
Mechanical specifications		
Degree of protection		IP67 IP67 / IP68 / IP69K with flat cable VAZ-FK-S-*
Connection		Flat cable AS-Interface: cable piercing method Plug connection: M12 x 1 socket (V1)
Material		
Contacts		CuSn / Au
Housing		PBT PC
Body		PUR, black
Cable		PUR
Mounting screw		Stainless steel 1.4305 / AISI 303
Cable		
Sheath diameter		Ø4,3 mm
Color		black
Cores		2 x 0.34 mm ²
Length	L	1 m
Mass		75 g
Tightening torque, fastening screws		1.65 Nm
Dimensions		
Height		22 mm
Width		27.7 mm
Length		40.5 mm
Note		The unused flat cable connector is closed with a seal.

Connection



Mounting



You may screw the device onto a level mounting surface using two M4 attachment screws. The attachment screws are not included.