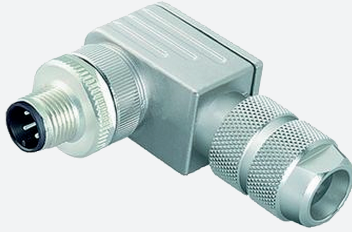


# Male connector, field-attachable

## V1S-W-ABG-PG9

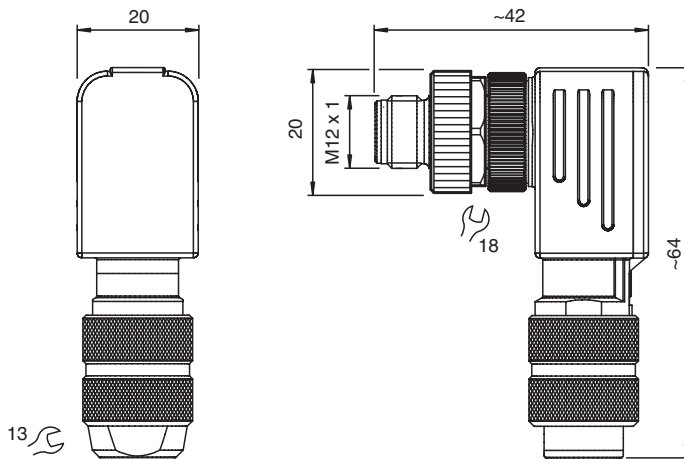


- Field-attachable, shieldable
- Metal housing
- Iris spring shielding
- cURus approval

Male connector M12 angled A-coded 4-pin, for cable diameter 5 - 8 mm, shielded, field-attachable



### Dimensions



### Technical Data

General specifications			
Connector 1			
Connection		plug	
Construction type		M12	
Style		angled	
Locking		screw connection	
Number of pins		4	
Coding		A-coded	
Customization		Coding rotateable in steps of 90°	
Electrical specifications			
Operating voltage	U <sub>B</sub>	max. 250 V AC/DC	
Operating current	I <sub>B</sub>	4 A	
Insulation resistance		min. 100 MΩ	
Conformity			
Degree of protection		EN 60529	
Plug connection		connector M12 x 1 : IEC 61076-2-101	
Approvals and certificates			

Release date: 2025-01-30 Date of issue: 2025-01-30 Filename: 211364\_eng.pdf

Refer to "General Notes Relating to Pepperl+Fuchs Product Information".

Pepperl+Fuchs Group  
www.pepperl-fuchs.com

USA: +1 330 486 0001  
fa-info@us.pepperl-fuchs.com

Germany: +49 621 776 1111  
fa-info@de.pepperl-fuchs.com

Singapore: +65 6779 9091  
fa-info@sg.pepperl-fuchs.com

PEPPERL+FUCHS

## Technical Data

UL File Number	E363587
<b>Ambient conditions</b>	
Ambient temperature	-40 ... 85 °C (-40 ... 185 °F)
Pollution degree	3
<b>Mechanical specifications</b>	
Plug connector	
Tightening torque	0.6 Nm
Tool installation	straight knurling , hexagon nut SW = 18 mm
Mating cycles	min. 100
Shielding	iris spring shielding
Degree of protection	IP67
Connection	screw terminals for max. 0.75 mm <sup>2</sup> / AWG 18
Cable	
Sheath diameter	5 ... 8 mm
Core cross section	0.75 mm <sup>2</sup> / 18 AWG max.
Mass	66.97 g
<b>Material</b>	
Plug connector	
Screw connection	Zinc diecast, nickel-plated
Body	Zinc diecast, nickel-plated
Seal	NBR
Contact surface	Au

## Connection Assignment

