

Female connector, field-attachable

V1-G-DUO-PG11

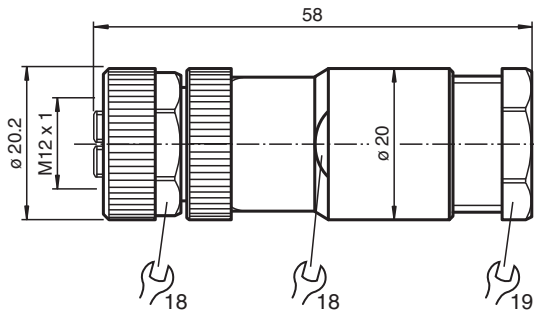


- Screw terminal connection
- Metal locking
- Easy merging of two signals at a single M12 slot
- Two double cable seals included in the delivery package
- Suitable for cable diameters 2 ... 3 mm und 4 ... 5 mm
- UL Recognized Component

Female connector M12 straight A-coded 4-pin, for cable diameter 2x 2 - 3 / 2x 4 - 5 mm, field-attachable



Dimensions



Technical Data

General specifications

Connector 1		
Connection		socket
Construction type		M12
Style		straight
Locking		screw connection
Number of pins		4
Coding		A-coded

Electrical specifications

Operating voltage	U_B	max. 250 V AC/DC
Operating current	I_B	max. 4 A
Surge protection		Category II
Insulation resistance		min. 100 M Ω

Conformity

Degree of protection		EN 60529
Plug connection		connector M12 x 1 : IEC 61076-2-101

Approvals and certificates

UL approval		
Maximum permissible operating current		max. 3 A
UL File Number		E363587

Ambient conditions

Ambient temperature		-40 ... 85 °C (-40 ... 185 °F)
---------------------	--	--------------------------------

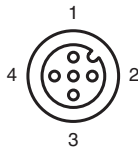
Release date: 2024-12-05 Date of issue: 2024-12-05 Filename: 193687_eng.pdf

Refer to "General Notes Relating to Pepperl+Fuchs Product Information".

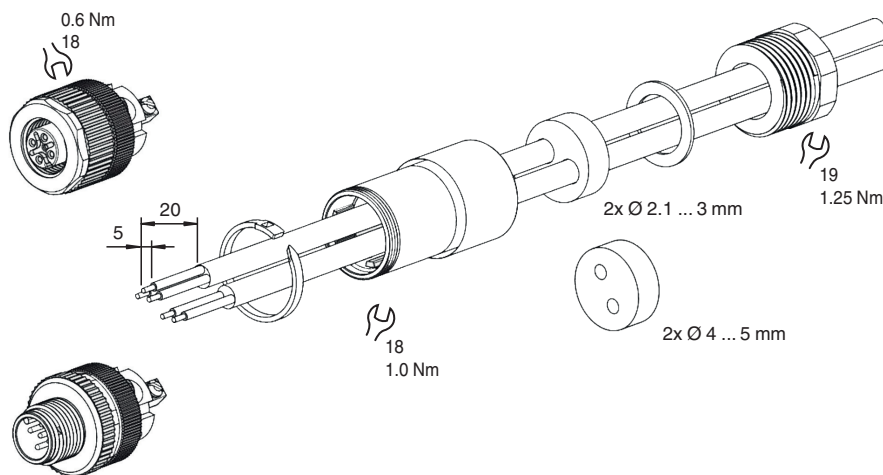
Technical Data

Pollution degree	3
Mechanical specifications	
Plug connector	
Tightening torque	0.6 Nm
Tool installation	straight knurling , hexagon nut SW = 18 mm
Mating cycles	min. 500
Degree of protection	IP67
Connection	screw terminals for max. 0.75 mm ² / AWG 18
Cable	
Sheath diameter	2 x 2.1 ... 3 mm or 2 x 4 ... 5 mm
Core cross section	0.75 mm ² / 18 AWG max.
Installation	screw terminals 0.4 Nm pressure nut 1.25 Nm body 1 Nm
Mass	31 g
Material	
Plug connector	
Screw connection	Zinc diecast, nickel-plated
Body	PA
Contact surface	CuSnZn

Connection Assignment



Connection



Release date: 2024-12-05 Date of issue: 2024-12-05 Filename: 193687_eng.pdf

Refer to "General Notes Relating to Pepperl+Fuchs Product Information".

Pepperl+Fuchs Group
www.pepperl-fuchs.com

USA: +1 330 486 0001
fa-info@us.pepperl-fuchs.com

Germany: +49 621 776 1111
fa-info@de.pepperl-fuchs.com

Singapore: +65 6779 9091
fa-info@sg.pepperl-fuchs.com

PF PEPPERL+FUCHS