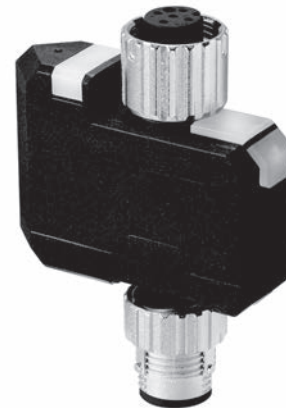


## IO-Link AD Converter K3CV

Analog signals are converted to digital signals with high precision and output via IO-Link communication. Improves signal accuracy and reliability while simplifying wiring to reduce costs



### Selecting/Setting

- Select input type by model name
- Can be used without tools

### Usability

- Easy connection with Smartclick
- Slim body for improved connectivity

### User Interface

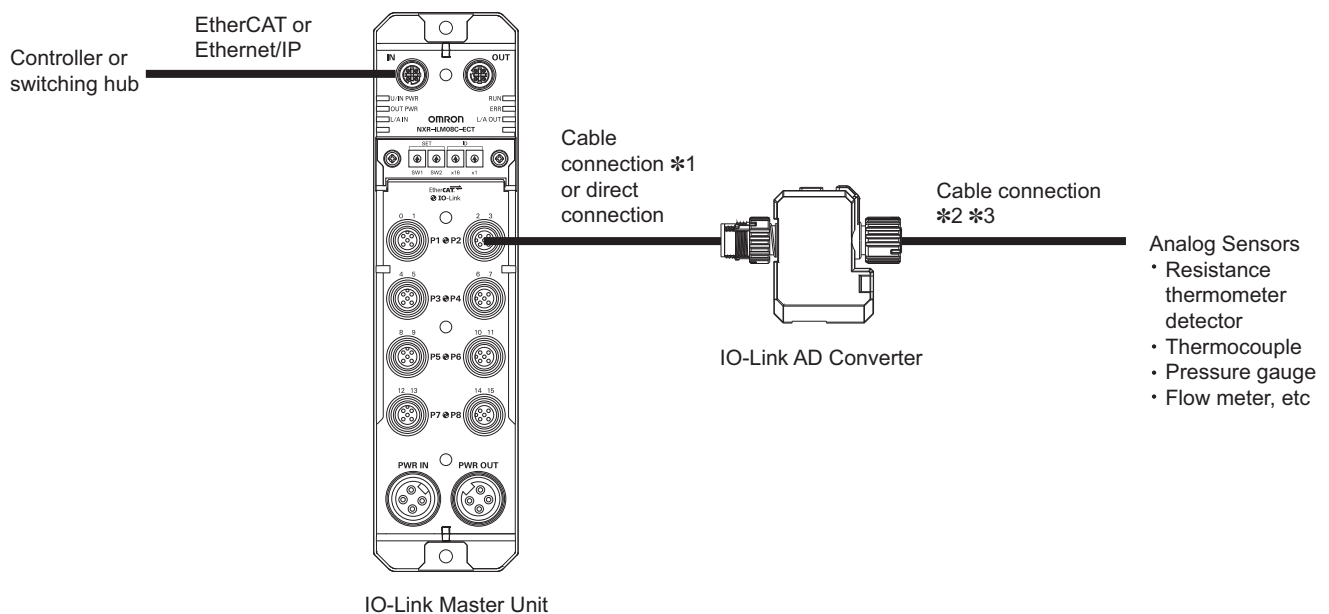
- Indicator indicates operating status
- Nameplates simplify equipment management

For the most recent information on models that have been certified for safety standards, refer to your OMRON website.

Refer to *Safety Precautions* on page 14.

## System Configuration Diagram

The configuration is as follows, with an IO-Link AD converter, an IO-Link master unit, and an analog sensor.



- \*1. Recommended cables wiring between IO-Link master units and AD converters
  - XS5W-D421-□81-F Connectors with cables, socket and plug on both cable ends
  - XS5F-D421-□80-F series Connectors (M12 Smartclick) connected to cable, socket on one cable end  
If necessary, use assembly connector plugs (M12 Smartclick)  
XS5G-D418 (insulation displacement type), XS5G-D4C□ (crimping type), XS5G-D42□ (soldering type), XS5G-D□S□ (screw-on type)
- \*2. Use assembly connector plugs for the discrete wires of the analog sensor.  
XS5G-D418 (insulation displacement type), XS5G-D4C□ (crimping type), XS5G-D42□ (soldering type), XS5G-D□S□ (screw-on type)
- \*3. For the thermocouple input types, be sure to use compensation wires. Otherwise, this may cause a temperature error.  
Refer to page 3 for selection of connectors and compensation conductors.

# K3CV

## Model Number Legend

### Model Number Legend

**K3CV** - □ □ □ □ □ - □

Series (1) (2) (3) (4)

Model	(1)	(2)	(3)	(4)	Meaning	
	Number of channels	Input Type	Input type details	Communications method		
K3CV	1				A/D Converter	
						1ch
		AD				Analog Input
		TC				Thermocouple
		PT				Resistance thermometer detector
			IA			Analog current 4 to 20 mA
			IB			Analog current 0 to 20 mA
			VA			Analog voltage 0 to 10 V
			VB			Analog voltage -10 to 10 V
			KA			K Thermocouple -20.0 to 500.0°C
			PA			Resistance temperature detector: -200.0 to 500.0°C
					IL3	IO-Link (COM3)

## List of Models

Number of channels	Input Type	Input type details	Communications method	Model
1	Analog Input	Analog current 4 to 20 mA	IO-Link	K3CV-1ADIA-IL3
		Analog current 0 to 20 mA		K3CV-1ADIB-IL3
		Analog voltage 0 to 10 V		K3CV-1ADVA-IL3
		Analog voltage -10 to 10 V		K3CV-1ADVB-IL3
	Thermocouples	K Thermocouple -20.0 to 500.0°C		K3CV-1TCKA-IL3
	Resistance Temperature Detector	Resistance temperature detector: -200.0 to 500.0°C		K3CV-1PTPA-IL3

## Optional Products (sold separately)

### Mounting Bracket

Model
K3CV-F-1

### Main Unit Fixture

Model
K3CV-F-2

### DIN Track Mounting Adapter

Model
K3CV-F-3

### Tool for M12 Threaded Connectors

Model
XY2F-0004

When connecting the IO-Link master and K3CV with a cable, use XS5W-D421-□81-F, connectors with cables, socket and plug on both cable ends (M12 Smartclick). For more details, refer to the XS5 *datasheet*. This is not necessary when the IO-Link master are connected directly to the K3CV.

## Installation of Compensation Conductors

Compensation Conductors for temperature controllers

The following assembly connector plugs and compensating conductor are recommended for use with the TC input type.

Type	Model	Details
Assembly Connector Plugs <ul style="list-style-type: none"> <li>• 4 poles</li> <li>• Soldering connection</li> </ul>	<b>XS5G-D423</b>	For 4 dia. (4 to 5 dia.) Cable connection direction: straight type
	<b>XS5G-D424</b>	For 4 dia. (4 to 5 dia.) Cable Connection direction: right-angle
Compensating Conductors (K)	<b>WCAG-N 1M</b>	Fully vinyl-covered (waterproof) (-20 to 70°C)
	<b>WCAG-N 2M</b>	
	<b>WCAG-N 4M</b>	
	<b>WCAG-N 8M</b>	
	<b>WCAG-N 10M</b>	
	<b>WCAG-N 15M</b>	
	<b>WCAG-N 20M</b>	
	<b>WCAG-N 30M</b>	
	<b>WCAG-N 50M</b>	Silicone-covered (non-waterproof) (0 to 150°C)
	<b>WCAG-40 1M</b>	
	<b>WCAG-40 2M</b>	
	<b>WCAG-40 4M</b>	
	<b>WCAG-40 8M</b>	
	<b>WCAG-40 10M</b>	
	<b>WCAG-40 15M</b>	
	<b>WCAG-40 20M</b>	
	<b>WCAG-40 30M</b>	
	<b>WCAG-40 50M</b>	

For instructions on how to install the connector and compensation conductors, refer to *Assembly Procedure for XS5C/XS5G (IDC models) Connector Assemblies* in the *XS5 datasheet*.

# K3CV

## Ratings/Performance

### General specifications

Item	Description
Rated input voltage	24 VDC
Operating voltage range	18 to 30 VDC, including ripple (p-p) of 10%
External power supply (Analog input type)	24 VDC: Linked to input voltage Maximum load current 100 mA
Current consumption	8 mA (maximum 108 mA when powered externally: analog input type)
Ambient operating temperature	-40 to 70°C (with no condensation or freezing)
Ambient operating humidity	Relative humidity ≤ 85%
Storage temperature	-40 to 85°C (with no condensation or freezing)
Storage humidity	Relative humidity ≤ 85%
Vibration resistance	10 to 55 Hz double amplitude 1.5 mm 2h in each of X, Y, and Z directions
Shock resistance	500 m/s <sup>2</sup> Three times in each of X, Y, and Z directions
Weight	30 g
Material	PA
Protection circuit	Reverse polarity protection
Protection structure (dust-proof, waterproof)	IP67, UL Standard Type 1 Certification, IP30 (When cables are not connected)
Insert/Remove Durability	50 cycles
Cable length (from master to convertor)	≤ 20 m
Cable length (from master to sensor)	≤ 30 m and TC of 100 Ω or less and Pt of 10 Ω or less
Conformity standards	cULus: Listed (UL61010-1/UL61010-2-201/CSA-C22.2 No.61010-1/ CSA-C22.2 No.61010-2-201) CE/UKCA: EN61131-2 RCM: EN61000-6-4 IO-Link conformance
Environment	UL Certification Temperature: 70°C Indoor Use Altitude: 2,000 m max. Pollution Degree: 3 EMC Immunity Level: Zone B
Power Supply	Class2, LPS, LIM and SELV or PELV, PS2 and ES1

## Input specifications

### Analog input type

Item		Description	
Sampling rate		Switchable between 50 ms (default) and 5 ms	
Influence of temperature		±1% FS ±1 digit or less	
Influence of voltage			
Installation influence			
Influence of EMS			
Instruction range	K3CV-1ADIA-IL3		Specification
		Instruction range	3.00 to 21.00 mA
		Input resistance	150 Ω or lower
	K3CV-1ADIB-IL3	Specification	0 to 20 mA
		Instruction range	-1.00 to 21.00 mA
		Input resistance	150 Ω or lower
	K3CV-1ADVA-IL3	Specification	0 to 10 V
		Instruction range	-1.00 to 11.00 V
		Input resistance	1 MΩ or higher
	K3CV-1ADVB-IL3	Specification	-10 to 10 V
		Instruction range	-11.00 to 11.00 V
		Input resistance	1 MΩ or higher
Instruction accuracy (ambient temperature: 23°C)		±0.2% FS ±1 digit or less	

### TC input type

Item		Description	
Sampling period		Switchable between 50 ms (default) and 10 ms	
Influence of temperature		(The greater of ±1% of the instruction value or ±4°C) ±1 digits or fewer	
Influence of voltage			
Installation influence			
Influence of EMS			
Influence of signal source resistance			0.1°C/Ω or less
Thermocouple type		K thermocouple	
Cold junction compensation method		Switchable between ON (default) and OFF	
Instruction range	K3CV-1TCKA-IL3	Specification	-20 to 500°C/0 to 900°F
		Instruction range	-40.0 to 520.0°C/-40.0 to 940.0°F
Instruction accuracy (ambient temperature: 23°C)		(The greater of ±1% of the instruction value or ±2°C) ±1 digits or fewer	

### Pt input type

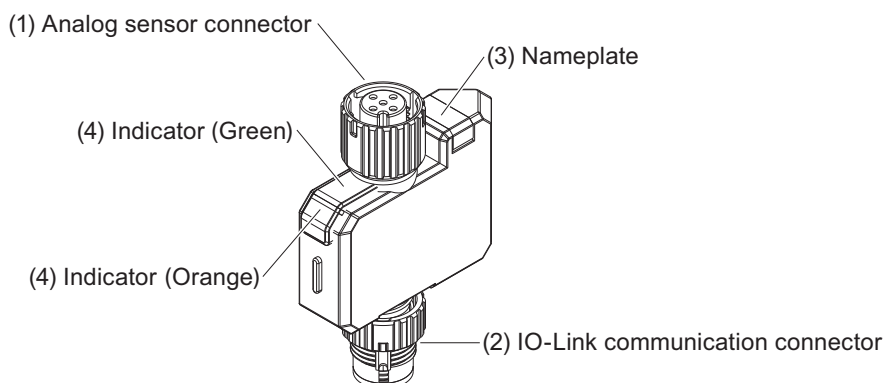
Item		Description	
Sampling period		Switchable between 50 ms (default) and 10 ms	
Influence of temperature		(The greater of ±1% of the instruction value or ±2°C) ±1 digits or fewer	
Influence of voltage			
Installation influence			
Influence of EMS			
Influence of signal source resistance			0.1°C/Ω or less
Compatible sensor		Pt100	
Connection method		3-line	
Sensor current		250 μA	
Instruction range	K3CV-1PTPA-IL3	Specification	-200 to 500°C/-300 to 900°F
		Instruction range	-220.0 to 520.0°C/-340.0°C to 940.0°F
Instruction accuracy (ambient temperature: 23°C)		(The greater of ±0.2% of the instruction value or ±0.8°C) ±1 digits or fewer	

## IO-Link Specifications

Item	Description
IO-Link device	Package 2024 compatible
Baud rate	COM3: 230.4 kbps (Fixed)
Device profile	Common Profile, Locator
Minimum cycle time	COM3: 2.0 ms
Data length	16 bit
Port class	Class A
Process data	16 bit
Conversion principle	ADC $\Delta\Sigma$
ADC resolution	16 bit
Control output	Switchable between physical quantity (default) and count value
Moving average filter	0 (default), 2, 4, 8, 16, 32: Switchable

Please contact your OMRON sales representative regarding the IO-Link setup file (IODD file).

## Nomenclature



No.	Name	Function
(1)	Analog sensor connector	Connects external devices such as analog sensors. M12, 5Pin, Female, Smartclick Round Connector
(2)	IO-Link communication connector	Connects an IO-Link master or IO-Link cable. M12, 4Pin, Male, Smartclick Round Connector
(3)	Nameplate	Uses to describe the model name.
(4)	Indicator	Displays the device status. Green: Power supply, IO-Link communication indicator Orange: Operation indicator

## LED

### Display Specifications

Indicator		State	Event Code	Abnormal or Alarm	Description	Action
Green	Orange					
Blinking (1s period)	ON	Normal	0 × 0000	---	---	---
Green and orange are blinking fast alternatively (0.3s period)		Breakdown	0 × 1800 0 × 1803	Abnormal	There may be an internal malfunction in the product.	Restart the product and if the abnormality reoccurs, replace the product.
Blinking fast (0.3s period)	OFF	Parameter error	0 × 6302	Abnormal	There is inconsistency on the settings written in by the IO-Link communications (service data).	Execute the system command to "Back-to-box" to initialize the settings. Refer to <i>Service Data Index 2</i> .
Blinking (1s period)	OFF	Disconnection of lower devices *1	0 × 7700	Abnormal	An error in the input value from the sensor.	Review the sensor installation.
Blinking (1s period)	OFF	Process Data Overrun	0 × 8C10	Alarm	The process data exceeds the upper limit of the measurement range.	Check the process data and the upper limit of the measurement range.
Blinking (1s period)	OFF	Process Data Underrun	0 × 8C30	Alarm	The process data is below the lower limit of the measurement range.	Check the process data and the lower limit of the measurement range.
Blinking (1s period)	OFF	Process data alarm upper limit	0 × 1804	Alarm	The process data exceeds the alarm value upper limit.	Check the process data and the alarm value upper limit.
Blinking (1s period)	OFF	Process data alarm lower limit	0 × 1805	Alarm	The process data is below the alarm value lower limit.	Check the process data and the alarm value lower limit.

\*1. In the case of K3CV-1ADIA-IL3/K3CV-1TCKA-IL3/K3CV-1PTPA-IL3.

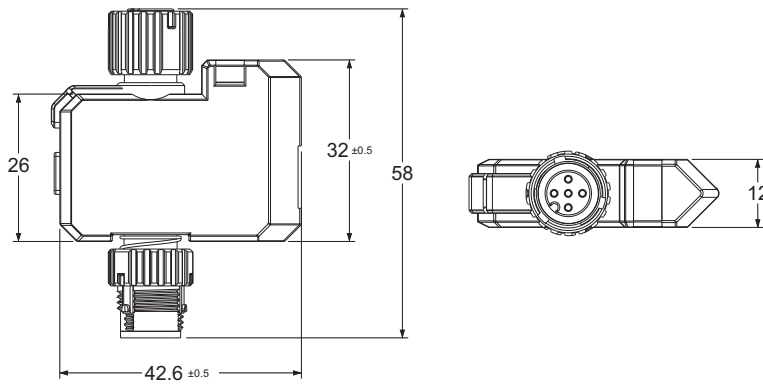
0 × 7700 occurs when the connector at analog sensor is open, and the process data is clamped to a lower limit of 3 mA for the K3CV-1ADIA-IL3 and to an upper limit of 520°C for the K3CV-1TCKA-IL3/K3CV-1PTPA-IL3.

# K3CV

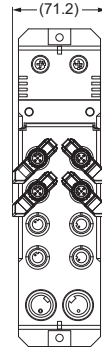
## Dimensions

(Unit: mm)

### K3CV

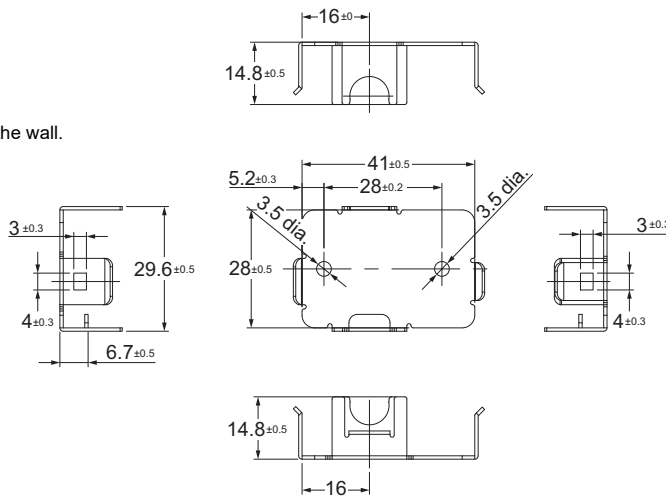
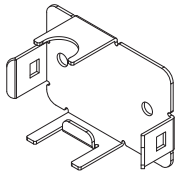


Dimensions when some K3CVs connect directly to the NXR.



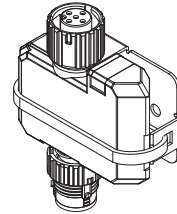
### Option Mounting Bracket K3CV-F-1

Utilize the two screw holes to securely mount the bracket to the wall.



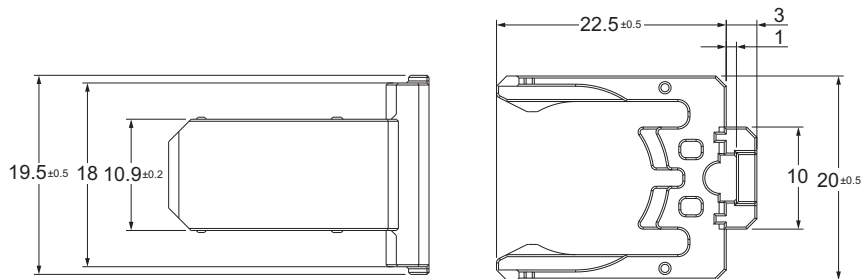
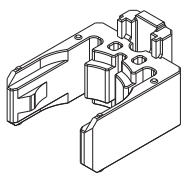
Material: SUS304

Use cable ties to secure the K3CV to the mounting bracket (not included in the package). The length of 150 mm or more is recommended.



Mounting screws are not included in the package. The mounting screws (M3, minimum length 3 mm, screw head height including washer 4 mm or less) are recommended.

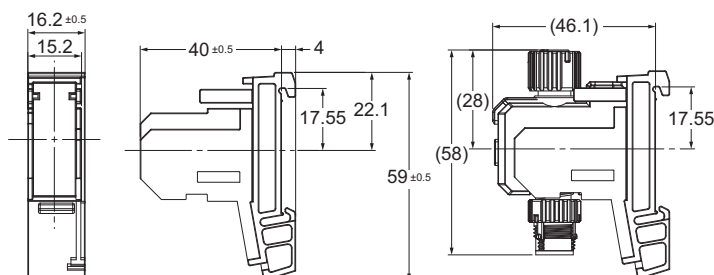
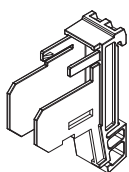
### Main Unit Fixture K3CV-F-2



Material: PC

When attaching the fixture to a fixed IO-Link master unit, a clearance of approximately 5 cm is required.

### DIN Track Mounting Adapter K3CV-F-3

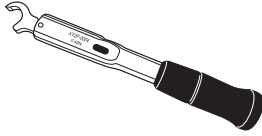




## Tools for M12 threaded connectors

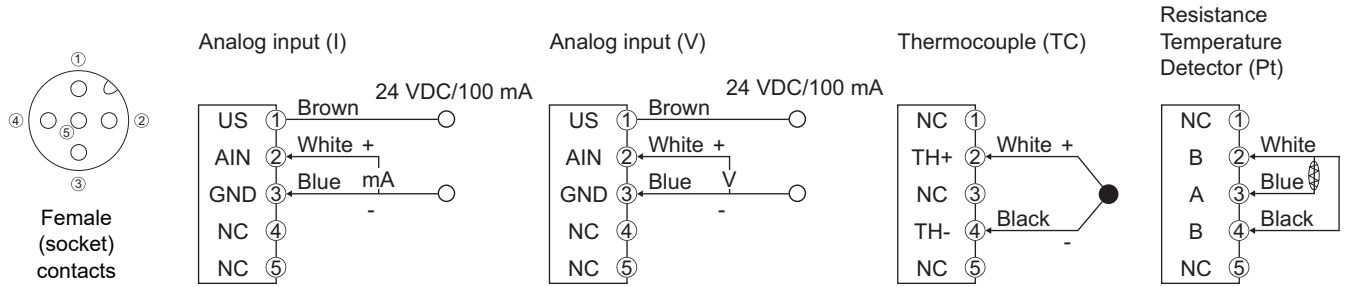
Use them to tighten the fixture of the M12 threaded connector to the specified torque value.

**Torque Wrench**  
XY2F-0004

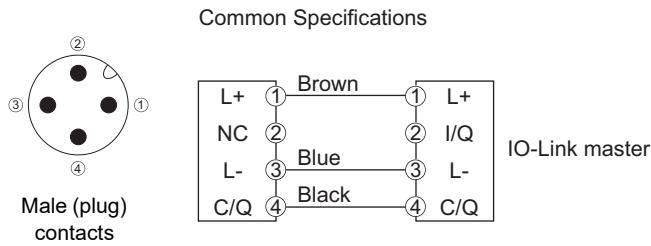


## Pin Assignment

### Analog Sensor Connector



### IO-Link Communication Connector



# K3CV

## Process Data

### Alarm Function

#### Input Type: analog input

Select the setting for the alarm value according to the setting (physical quantity/count value) of the process data format (Index=72, Sub-Index=0).

#### When a physical quantity is set

Index	Sub-Index	Name	Range
64	0	Process Data Alarm Value Upper limit0	-32,768 to 32,767 (-327.68 to 327.67 [Unit: mA]) Default value: 32,767 (327.67)
65	0	Process Data Alarm Value Lower limit0	-32,768 to 32,767 (-327.68 to 327.67 [Unit: mA]) Default value: -32,768 (327.68)

#### When count value is set

Index	Sub-Index	Name	Range
66	0	Process Data Alarm Value Upper limit1	-32,768 to 32,767 Default value: 32,767
67	0	Process Data Alarm Value Lower limit1	-32,768 to 32,767 Default value: -32,768

#### Input Type: TC/Pt

Only physical quantities can be set

Index	Sub-Index	Name	Range
68	0	Process Data Alarm Value Upper limit	-32,768 to 32,767 (-3,276.8 to 3,276.7 [Unit: °C/°F]) Default value: 32,767 (3,276.7)
69	0	Process Data Alarm Value Lower limit	-32,768 to 32,767 (-3,276.8 to 3,276.7 [Unit: °C/°F]) Default value: -32,768 (-3,276.8)

### Moving Average Filters

- You can set the number of data points for the moving average of process data. This function is used to reduce sudden changes in the input signal caused by noise components, etc.

Index	Sub-Index	Name	Range
70	0	Moving Average Times	0: OFF (Default value) 1: 2 times 2: 4 times 3: 8 times 4: 16 times 5: 32 times

### Sampling Rate

- The sampling rate of in the process data can be selected.

Index	Sub-Index	Name	Range
71	0	Sampling Rate	0: 50 ms (Default value) 1: 5 ms for analog input, 10 ms for TC/Pt

## Process Data Format

- The process data format can be set to physical quantity or count value.
- Available for analog input type

Index	Sub-Index	Name	Range
72	0	Process Data Format	0: Physical quantity (Default value) 1: Count value

## Count value and Physical quantity

If the measured value is outside the indicated range, it is clamped to the upper and lower limits of the indicated range

### Analog input 4 to 20 mA

Count Value		Physical Quantity
Dec.	Hex.	
32,511	7EFF	21.00 mA
30,599	7787	20.00 mA
1	0001	4 mA +522.9 nA
0	0000	4 mA
-1	FFFF	4 mA -522.9 nA
-1,912	F888	3 mA

### Analog input 0 to 20 mA

Count Value		Physical Quantity
Dec.	Hex.	
32,511	7EFF	21.00 mA
30,963	78F3	20.00 mA
1	0001	645.9 nA
0	0000	0 mA
-1	FFFF	-645.9 nA
-1,548	F9F4	-1 mA

### Analog input 0 to 10 V

Count Value		Physical Quantity
Dec.	Hex.	
32,511	7EFF	11 V
29,555	7373	10 V
1	0001	338.3 $\mu$ V
0	0000	0 V
-1	FFFF	-338.3 $\mu$ V
-2,956	F474	-1 V

### Analog input: -10 to 10 V

Count Value		Physical Quantity
Dec.	Hex.	
32,511	7EFF	11 V
29,555	7373	10 V
1	0001	338.3 $\mu$ V
0	0000	0 V
-1	FFFF	-338.3 $\mu$ V
-29,555	8C8D	-10 V
-32,512	8100	-11 V

## Temperature Unit

- Temperature units can be selected as "°C" or "°F".
- When the temperature unit is changed, the upper and lower alarm limits of the process data are automatically converted.
- Available for TC or Pt input type

Index	Sub-Index	Name	Range
73	0	Temperature Unit	0: °C (Default value) 1: °F

## Cold Junction Compensation Method

- You can choose whether to turn cold junction compensation ON or OFF.
- Available for TC input type

Index	Sub-Index	Name	Range
74	0	Cold junction	0: OFF No cold junction compensation 1: ON Cold junction compensation is enabled (Default value)

## Communications Specifications

Bit	7	6	5	4	3	2	1	0
PD0	Instruction Value PD0: upper 8 bits, PD1: lower 8 bits							
PD1								

## Index List

Index	Sub-Index	Name	Back up target	Format	Access	Length	Default value	Range	Remark
0	0	Direct Parameter Page 1	---	Record	R/W	16 byte	---	---	
2	0	System-Command	---	UInteger	W	1 byte	-	0×81: Application Reset 0×83: Back-to-Box 0×7E: Locator Start 0×7F: Locator Stop	Application reset: Returns the settable parameters except Tag information in Index 24 to 26 to the factory default state. Back-to-box: Returns the settable parameters including Tag information in Index 24 to 26 to the factory default state. After execution, IO-Link communication is disconnected and then sensor operation stops and the state becomes waiting for the sensor to be removed from the IO-Link master. Locator Start: Starts indicator (green) to blink fast Locator Stop: Stops indicator (green) from blinking fast
3	0	Data Storage	---	Record	R/W	---	---	---	Use when backing up or restoring the settings to/from the IO-Link master unit. *1
13	1	Profile Characteristic	---	UInteger	R	2 byte	---	0×4000: Common Profile	Indicates the types that K3CV supports as functions of IO-Link. *1
	2		---	UInteger	R	2 byte	---	0×8101: Locator	
14	0	PDInput Descriptor	---	Octet	R	12 byte	---	---	*1
16	0	Vendor Name	---	String	R	64 byte	---	OMRON Corporation	
17	0	Vendor Text	---	String	R	64 byte	---	OMRON Corporation	
18	0	Product Name	---	String	R	64 byte	---	---	Model
19	0	Product ID	---	String	R	64 byte	---	---	Model
20	0	Product Text	---	String	R	64 byte	---	---	Sensor type
21	0	Serial Number	---	String	R	8 byte	---	---	
22	0	Hardware Version	---	String	R	4 byte	---	---	
23	0	Firmware Version	---	String	R	4 byte	---	---	
24	0	Application Specific Tag	○	String	R/W	32 byte	*****	Optional	
25	0	Function Tag	○	String	R/W	32 byte	*****	Optional	
26	0	Location Tag	○	String	R/W	32 byte	*****	Optional	
36	0	Device Status	---	UInteger	R	1 byte	---	0×00: Device is OK 0×02: Out-of-Specification (Out of range/Alarm) 0×04: Failure (Breakdown/ Disconnection of lower devices)	
37	0	Detailed Device Status	---	Record	R	18 byte	---	0×1800/0×1803: Breakdown 0×6320: Parameter error 0×7700: Disconnection of lower devices 0×8C10: Process data overrun 0×8C30: Process data underrun 0×1804: Process data alarm value upper limit 0×1805: Process data alarm value lower limit	For details, refer to Event function.
40	0	Process Data Input	---	Record	R	2 byte	---	---	

\*1. For the details, refer to the specification (IO-Link interface and System Specification V1.1.4 (<https://io-link.com>))

## Safety Precautions

### Warning

This product is not designed to detect human forms either directly or indirectly for the purpose of ensuring safety.  
Do not use this product as a detection device to protect people.



Never use this product with AC power supply or with voltage in excess of the rated voltage as doing so may result in rupturing or fire.



### CAUTION

This product cannot be used in explosion hazard areas. Do not use the product in environments where flammable or explosive gases are present.




This product takes 30 minutes to display the correct measurement values after power is turned on. (This is the time it takes for the internal temperature of the K3CV product to stabilize and for the measurement values to become stable. Until the internal temperature stabilizes, the measurement values may have a significant error.)



### Precautions for Safe Use

Observe the following to ensure safe use of K3CV.

- If the product is used in a manner not specified by the INSTRUCTION SHEET, the protection provided by the product may be impaired.
- Do not reverse the connection of the DC power supply polarity.
- Do not dismantle, modify, or repair the product.
- To prevent an accident due to the product falling, wear appropriate protective gear such as safety glasses and a helmet when performing installation work in a high location.
- Do not use the product if the case is damaged.
- If you feel that something is not right with the product, immediately discontinue use, turn off the power, and contact your OMRON representative.
-  Dispose of the product in accordance with applicable regulations.
- The base of the connector does not rotate. Do not try to turn it by force.
- Affix the mounting bracket using screws tightened to the specified torque.
- Fix the cables in place so as to avoid any load being applied directly to the connector.
- Wait for 1.5 seconds after switching the product on before using it.
- Fix the main unit to a wall or another stable place and do not use the product in places where it is subject to shock or vibration.
- Do not use the product under conditions or in environments that exceed its rated limits.

### Precautions for Correct Use

- During installation, do not hit the product with a hammer or any other such tool.
- Install the product with screws tightened to the specified torque or lower.
  - For the M12 connector, the proper tightening torque is from 0.39 to 0.49 N·m.
  - In the case of the pre-wired M12 Smartclick Connector, firmly tighten the connector to the mating complete mark position by hand.
- Do not pull the cables forcefully.
- Do not use the product in direct sunlight.
- The product has an IP67 protection rating, but avoid using it in environments where it is constantly exposed to water or outdoors.
- Please assess the safety beforehand when using the product in chemicals and/or oil environments.
- Do not use the product in high humidity environments with the risk of condensation.
- Do not use the product where corrosive gases are present.
- Do not use the product in environments with a strong electric or magnetic field.
- Do not use organic solvents (e.g. paint thinner and alcohol) for cleaning, as this may cause deterioration in the protective structure.
- Stop using the product once the writing operation lifespan (100,000 operations) of the non-volatile memory has been reached. Setting information is written to the volatile memory when a threshold value change is executed.
- Be sure to turn off the power supply when connecting or disconnecting the cable.
- The analog input circuit is not insulated from internal circuits. Do not use grounded thermocouples, as stray currents may cause errors in the temperature readings.
- Do not use the product if the cables is pinched.
- Do not short-circuit the load.

# Terms and Conditions Agreement

## **Read and understand this catalog.**

Please read and understand this catalog before purchasing the products. Please consult your OMRON representative if you have any questions or comments.

## **Warranties.**

- (a) Exclusive Warranty. Omron's exclusive warranty is that the Products will be free from defects in materials and workmanship for a period of twelve months from the date of sale by Omron (or such other period expressed in writing by Omron). Omron disclaims all other warranties, express or implied.
- (b) Limitations. OMRON MAKES NO WARRANTY OR REPRESENTATION, EXPRESS OR IMPLIED, ABOUT NON-INFRINGEMENT, MERCHANTABILITY OR FITNESS FOR A PARTICULAR PURPOSE OF THE PRODUCTS. BUYER ACKNOWLEDGES THAT IT ALONE HAS DETERMINED THAT THE PRODUCTS WILL SUITABLY MEET THE REQUIREMENTS OF THEIR INTENDED USE.

Omron further disclaims all warranties and responsibility of any type for claims or expenses based on infringement by the Products or otherwise of any intellectual property right. (c) Buyer Remedy. Omron's sole obligation hereunder shall be, at Omron's election, to (i) replace (in the form originally shipped with Buyer responsible for labor charges for removal or replacement thereof) the non-complying Product, (ii) repair the non-complying Product, or (iii) repay or credit Buyer an amount equal to the purchase price of the non-complying Product; provided that in no event shall Omron be responsible for warranty, repair, indemnity or any other claims or expenses regarding the Products unless Omron's analysis confirms that the Products were properly handled, stored, installed and maintained and not subject to contamination, abuse, misuse or inappropriate modification. Return of any Products by Buyer must be approved in writing by Omron before shipment. Omron Companies shall not be liable for the suitability or unsuitability or the results from the use of Products in combination with any electrical or electronic components, circuits, system assemblies or any other materials or substances or environments. Any advice, recommendations or information given orally or in writing, are not to be construed as an amendment or addition to the above warranty.

See <http://www.omron.com/global/> or contact your Omron representative for published information.

## **Limitation on Liability; Etc.**

OMRON COMPANIES SHALL NOT BE LIABLE FOR SPECIAL, INDIRECT, INCIDENTAL, OR CONSEQUENTIAL DAMAGES, LOSS OF PROFITS OR PRODUCTION OR COMMERCIAL LOSS IN ANY WAY CONNECTED WITH THE PRODUCTS, WHETHER SUCH CLAIM IS BASED IN CONTRACT, WARRANTY, NEGLIGENCE OR STRICT LIABILITY.

Further, in no event shall liability of Omron Companies exceed the individual price of the Product on which liability is asserted.

## **Suitability of Use.**

Omron Companies shall not be responsible for conformity with any standards, codes or regulations which apply to the combination of the Product in the Buyer's application or use of the Product. At Buyer's request, Omron will provide applicable third party certification documents identifying ratings and limitations of use which apply to the Product. This information by itself is not sufficient for a complete determination of the suitability of the Product in combination with the end product, machine, system, or other application or use. Buyer shall be solely responsible for determining appropriateness of the particular Product with respect to Buyer's application, product or system. Buyer shall take application responsibility in all cases.

NEVER USE THE PRODUCT FOR AN APPLICATION INVOLVING SERIOUS RISK TO LIFE OR PROPERTY OR IN LARGE QUANTITIES WITHOUT ENSURING THAT THE SYSTEM AS A WHOLE HAS BEEN DESIGNED TO ADDRESS THE RISKS, AND THAT THE OMRON PRODUCT(S) IS PROPERLY RATED AND INSTALLED FOR THE INTENDED USE WITHIN THE OVERALL EQUIPMENT OR SYSTEM.

## **Programmable Products.**

Omron Companies shall not be responsible for the user's programming of a programmable Product, or any consequence thereof.

## **Performance Data.**


Data presented in Omron Company websites, catalogs and other materials is provided as a guide for the user in determining suitability and does not constitute a warranty. It may represent the result of Omron's test conditions, and the user must correlate it to actual application requirements. Actual performance is subject to the Omron's Warranty and Limitations of Liability.

## **Change in Specifications.**

Product specifications and accessories may be changed at any time based on improvements and other reasons. It is our practice to change part numbers when published ratings or features are changed, or when significant construction changes are made. However, some specifications of the Product may be changed without any notice. When in doubt, special part numbers may be assigned to fix or establish key specifications for your application. Please consult with your Omron's representative at any time to confirm actual specifications of purchased Product.

## **Errors and Omissions.**

Information presented by Omron Companies has been checked and is believed to be accurate; however, no responsibility is assumed for clerical, typographical or proofreading errors or omissions.

 Smartclick is a trademark or registered trademark of OMRON Corporation in Japan and other countries.

**Note: Do not use this document to operate the Unit.**

**OMRON Corporation Industrial Automation Company**

**Kyoto, JAPAN**

**Contact : [www.ia.omron.com](http://www.ia.omron.com)**

**Regional Headquarters**

**OMRON EUROPE B.V.**

Wegalaan 67-69, 2132 JD Hoofddorp  
The Netherlands  
Tel: (31) 2356-81-300 Fax: (31) 2356-81-388

**OMRON ELECTRONICS LLC**

2895 Greenspoint Parkway, Suite 200  
Hoffman Estates, IL 60169 U.S.A.  
Tel: (1) 847-843-7900 Fax: (1) 847-843-7787

**OMRON ASIA PACIFIC PTE. LTD.**

438B Alexandra Road, #08-01/02 Alexandra  
Technopark, Singapore 119968  
Tel: (65) 6835-3011 Fax: (65) 6835-3011

**OMRON (CHINA) CO., LTD.**

Room 2211, Bank of China Tower,  
200 Yin Cheng Zhong Road,  
PuDong New Area, Shanghai, 200120, China  
Tel: (86) 21-6023-0333 Fax: (86) 21-5037-2388

**Authorized Distributor:**

©OMRON Corporation 2025 All Rights Reserved.  
In the interest of product improvement,  
specifications are subject to change without notice.

**CSM\_3\_1**

**Cat. No. H243-E1-03** 1125 (0625)