

Autofocus Multicode Reader VHV5-F

High-performance barcode reader.

The **VHV5-F Autofocus Multicode Reader**, combined with the **WebLink** user interface, provides an unparalleled level of code reading performance and next-level user experience, enabling any user to easily set up the most demanding code reading applications on the factory floor.

The VHV5-F has built-in internal lighting 10 times more powerful than the MicroHAWK line of readers, as well as a 2.3 MP global shutter sensor running at 80 frames per second, and a 5 MP global shutter sensor running at 40 frames per second. A powerful quad-core processor with built-in NPU allows for near-frame rate reading speeds in most applications.

The WebLink user interface features Smart Quick Set functions to learn, optimize, and deploy in a matter of seconds in difficult static direct part mark (DPM) reading applications or very high-speed label reading applications.

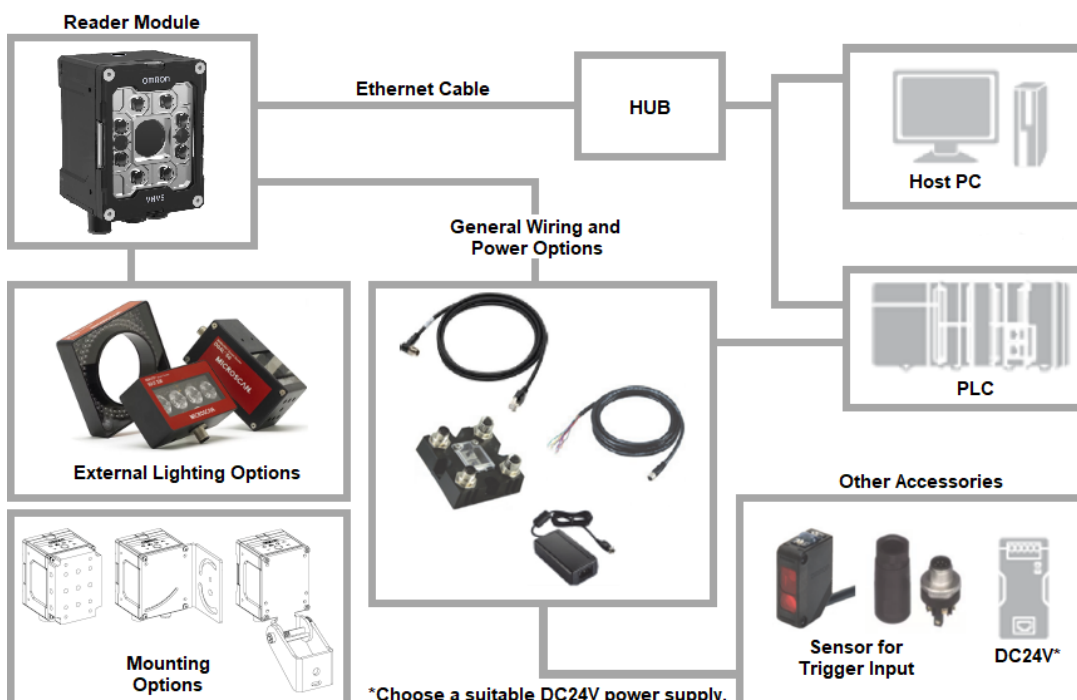
The VHV5-F is pin-compatible with the MicroHAWK V430-F and V440-F readers, ensuring a clear upgrade path with all the same wiring accessories.



Features

- Smallest reader in its class.
- High-end multi-core processor (including NPU for AI). 13 times the processing power of the MicroHAWK.
- 2.3 MP (80 FPS) and 5 MP (40 FPS) global shutter sensors.
- Three autofocus lens focal length choices to cover the widest range of applications.
- Highest-power lighting on the market today.
- Third port for external lighting, compatible with most major machine vision light suppliers.
- Support for digital I/O, RS-232, Ethernet TCP/IP, EtherNet/IP™, and PROFINET communications.
- IP69K-rated.
- PoE+ or direct 24V power.

Runtime Configuration Options



VHV5-F

Model Number Structure

Use the table below to determine the product specifications of your reader from the model number on the label.

Important: Please see the next section for the full list of orderable model numbers. All other variations should be assembled using standard models combined with available accessories.

VHV5-F – Autofocus Multicode Reader, IP67 Enclosure, 24V/PoE, with Serial, Digital IO, and Ethernet.


VHV5-F □□□□□□□□ - □□□ - □
 1 2 3 4 5 6 7

No.	Classification	Code	Meaning
1	Focus Distance (mm)	000	Autofocus
		###	Focus Distance in mm
2	Lens / Field of View	M	Medium
		N	Narrow
		L	Long Range
3	Sensor Type	023M	2.3 Megapixel, Monochrome, Global Shutter
		050M	5 Megapixel, Monochrome, Global Shutter
4	Front Window Filter Type	S	Clear Front Window
		D	Light-Diffusing Front Window
		P	Polarizing Window to Eliminate Glare
		H	Half-Polarized Window (Gives the user the option to use either polarized or standard lighting in the same unit)
5	Light Color	N	None
		R	Red
		W	White
6	License	X	High-Speed X-Mode Decoder
7	Custom (0 – Z)	D	Reserved
		0 to 9, A to Z	OEMs and Large Customers


Ordering Information

Standard Orderable Reader Models

Standard Red 2.3 MP and Standard Red 5 MP

Appearance	Standard Red 2.3 MP	Part Number
	VHV5-F, Autofocus, Medium Lens, 2.3 MP, Standard Red Light, X-Mode Reader	VHV5-F000M023M-SRX
	VHV5-F, Autofocus, Narrow Lens, 2.3 MP, Standard Red Light, X-Mode Reader	VHV5-F000N023M-SRX
	VHV5-F, Autofocus, Long Lens, 2.3 MP, Standard Red Light, X-Mode Reader	VHV5-F000L023M-SRX
	Standard Red 5 MP	Part Number
	VHV5-F, Autofocus, Medium Lens, 5.0 MP, Standard Red Light, X-Mode Reader	VHV5-F000M050M-SRX
	VHV5-F, Autofocus, Narrow Lens, 5.0 MP, Standard Red Light, X-Mode Reader	VHV5-F000N050M-SRX
VHV5-F, Autofocus, Long Lens, 5.0 MP, Standard Red Light, X-Mode Reader	VHV5-F000L050M-SRX	

Standard White 2.3 MP and Standard White 5 MP

Appearance	Standard White 2.3 MP	Part Number
	VHV5-F, Autofocus, Medium Lens, 2.3 MP, Standard White Light, X-Mode Reader	VHV5-F000M023M-SWX
	VHV5-F, Autofocus, Narrow Lens, 2.3 MP, Standard White Light, X-Mode Reader	VHV5-F000N023M-SWX
	VHV5-F, Autofocus, Long Lens, 2.3 MP, Standard White Light, X-Mode Reader	VHV5-F000L023M-SWX
	Standard White 5 MP	Part Number
	VHV5-F, Autofocus, Medium Lens, 5.0 MP, Standard White Light, X-Mode Reader	VHV5-F000M050M-SWX
	VHV5-F, Autofocus, Narrow Lens, 5.0 MP, Standard White Light, X-Mode Reader	VHV5-F000N050M-SWX
VHV5-F, Autofocus, Long Lens, 5.0 MP, Standard White Light, X-Mode Reader	VHV5-F000L050M-SWX	

Standard Red 2.3 MP with Half Polarizer and Standard Red 5 MP with Half Polarizer

Appearance	Standard Red 2.3 MP with Half Polarizer	Part Number
	VHV5-F, Autofocus, Medium Lens, 2.3 MP, Standard Red Light, Half-Polarized Window, X-Mode Reader	VHV5-F000M023M-HRX
	VHV5-F, Autofocus, Narrow Lens, 2.3 MP, Standard Red Light, Half-Polarized Window, X-Mode Reader	VHV5-F000N023M-HRX
	VHV5-F, Autofocus, Long Lens, 2.3 MP, Standard Red Light, Half-Polarized Window, X-Mode Reader	VHV5-F000L023M-HRX
	Standard Red 5 MP with Half Polarizer	Part Number
	VHV5-F, Autofocus, Medium Lens, 5.0 MP, Standard Red Light, Half-Polarized Window, X-Mode Reader	VHV5-F000M050M-HRX
	VHV5-F, Autofocus, Narrow Lens, 5.0 MP, Standard Red Light, Half-Polarized Window, X-Mode Reader	VHV5-F000N050M-HRX
VHV5-F, Autofocus, Long Lens, 5.0 MP, Standard Red Light, Half-Polarized Window, X-Mode Reader	VHV5-F000L050M-HRX	




Note 1: VHV5-F readers are sold without cables or mounting. These items can be found in later sections.

Note 2: The VHV5-F uses the same Parallel IO cables and interconnect accessories as the MicroHAWK V430-F and V440-F.

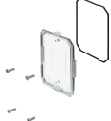
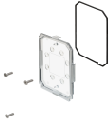
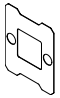
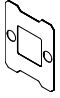

Note 3: X-Mode is suitable for all labels as well as low print grade codes and DPM.

VHV5-F

Mounting Accessories

Appearance	Type	Part Number
	VHV5-F L-Bracket Adjustable Angle Mounting Kit (VHV5-F only)	VHV5-AM0
	Universal Mounting Block and Heatsink Kit (VHV5-F only)	VHV5-AM1
	VHV5-F APG Pan and Tilt Camera Mount (VHV5-F only)	VHV5-AM2

Front Window Accessories

Appearance	Type	Part Number
	VHV5-F Standard Window (for Medium Lens Models)	VHV5-AF0
	VHV5-F Lensed Window (for Narrow and Long Lens Models)	VHV5-AF1
	VHV5-F Diffuser Accessory	VHV5-AF2
	VHV5-F Polarizer Accessory	VHV5-AF3
	VHV5-F Half Polarizer Accessory	VHV5-AF4

Cables

Appearance	Category	Length / Spec	Part Number
	X-Code to RJ45 Ethernet Cable (High Flex, Straight, Black Jacket)	1 Meter	61-9000134-01
		3 Meters	61-9000134-02
		5 Meters	61-9000134-03
		10 Meters	61-9000134-04
	X-Code to RJ45 Ethernet Cable (High Flex, Straight, Black Jacket)	2 Meters	FHV-VNB2 2M
		3 Meters	FHV-VNB2 3M
		5 Meters	FHV-VNB2 5M
		10 Meters	FHV-VNB2 10M
		20 Meters	FHV-VNB2 20M
	X-Code to RJ45 Ethernet Cable (High Flex, Right-Angle, Black Jacket)	2 Meters	FHV-VNLB2 2M
		3 Meters	FHV-VNLB2 3M
		5 Meters	FHV-VNLB2 5M
		10 Meters	FHV-VNLB2 10M
		20 Meters	FHV-VNLB2 20M
	M12 to Flying Leads Cable – Parallel IO (Power, DIO, RS-232)	3 Meters	V430-W8-3M
		5 Meters	V430-W8-5M
		10 Meters	V430-W8-10M
	M12 to Flying Leads Cable – Parallel IO (Power, DIO, RS-232) – Right Angle Back	3 Meters	V430-W8LD-3M
	M12 to Flying Leads Cable – Parallel IO (Power, DIO, RS-232) – Right Angle Front	3 Meters	V430-W8LU-3M
	Reader M12 to RS-232 Breakout Cable	1 Meter	V430-WR-1M
		3 Meters	V430-WR-3M
	VHV5-F to External Light – 5 Pin M12 Plug to 5 Pin M12 Socket	1 Meter	61-000184-01
	Cable, Adapter, Omron PLC	2 Meters	V430-WPLC-2M

***Important:** Standard Omron FJ-VSG Ethernet cables are available in alternative and longer lengths.

Power Supplies

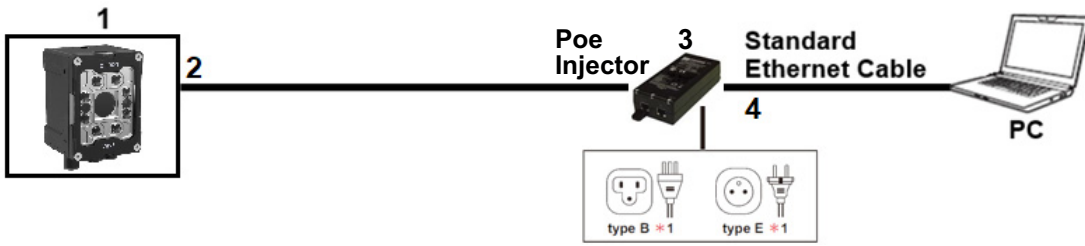
Appearance	Category	Length / Spec	Part Number
	Standard Reader 24V Power Supply (2.1 A)	1 Meter U.S. / Euro Plug	97-000012-01
	Single Port PoE Injector, 30W, IEEE802.3at Compliant, 2 x RJ45 Connector, 90 to 264VAC	Power Cord NOT Included	98-9000311-01

Legacy QX-1 Cabling and Accessories

Appearance	Category	Length / Spec	Part Number
	QX-1 Interconnect Module – Power, Trigger, Daisy Chain, Smart Light Control Breakout	N/A	98-000103-02
	Reader to QX-1 Interconnect Cable – M12 Socket to M12 Plug (QX-1 is used as breakout module for Power input, Trigger input, and Strobe Output)	1 Meter	V430-WQ-1M
		3 Meters	V430-WQ-3M
		5 Meters	V430-WQ-5M
	Reader to QX-1 Interconnect Cable – M12 Socket to M12 Plug – Right Angle Back	1 Meter	61-000162-03
		3 Meters	61-000148-03
	Reader to QX-1 Interconnect Cable – M12 Socket to M12 Plug – Right Angle Front	1 Meter	61-000162-04
		3 Meters	61-000148-04
	Reader to QX-1 Interconnect Cables with RS-232 Breakout	3 Meters	V430-WQR-3M
		5 Meters	V430-WQR-5M
	Reader to QX-1 Interconnect Cables with USB Keyboard Wedge Breakout	3 Meters	V430-WQK-3M
	QX-1 Photo Sensor, M12 4-Pin Plug, NPN, Light ON / Dark ON	2 Meters	99-9000016-01
	QX-1 Field-Wireable M12 4-Pin Plug for Any Trigger Source or Photo Sensor	Screw Terminal Connector	98-9000239-01

System Configuration Examples

Minimum Configuration to Set Up the Reader with WebLink UI



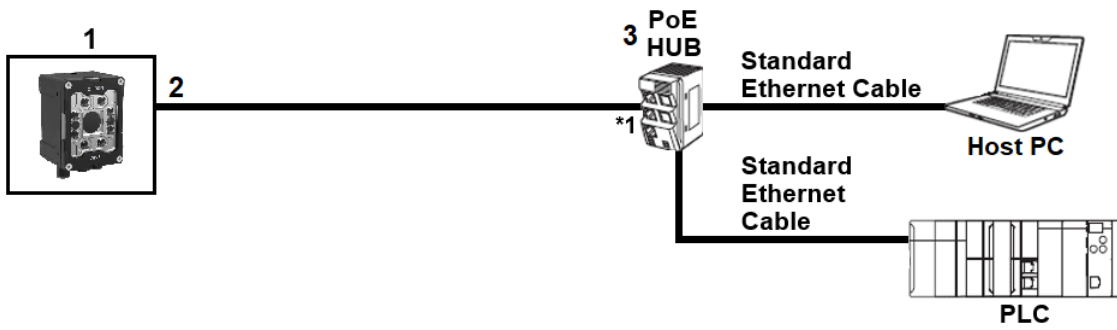
Drawing Reference	Category	Part Number
1	VHV5-F Reader	VHV5-F□□□□□□□□-SRX
2	Industrial GigE X-Code Ethernet Cable, M12 to RJ45 Connector	61-900013□□-0□ (Black) or FHV-VNB2, FHV-VNLB2 (Black)
3	Single Port PoE Injector, 30W, IEEE802.3at Compliant*1	98-9000311-01
4	Standard or Industrial Ethernet CAT5E or CAT6 Network Cable	Example: XS6W-5PUR8SS□□□□CM-G

*1. Power cord NOT included with 98-9000311-01. There are many types of outlet plugs for the PoE Injector (C13 connector required). Select a suitable plug type for your environment.

C13 Connector

Description	Part Number
AC Power Cable, 1.8 M, Japan, C13 Conn.	12-9001046-01
AC Power Cable, 1.8 M, U.S., C13 Conn.	12-9000959-01
AC Power Cable, 1.8 M, EU, C13 Conn.	12-9000960-01
AC Power Cable, 1.8 M, UK, C13 Conn.	12-9000961-01
AC Power Cable, 1.8 M, China, C13 Conn.	12-9000962-01

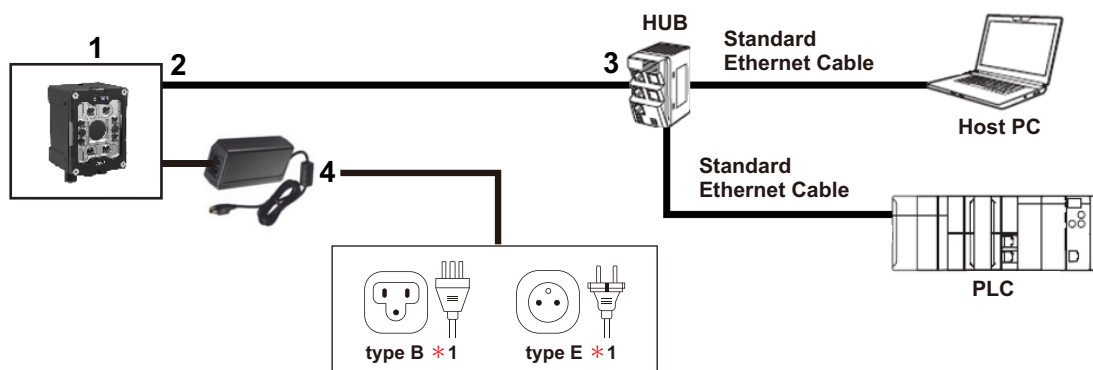
Minimum Power over Ethernet (PoE) Configuration



Drawing Reference	Category	Part Number
1	VHV5-F Reader	VHV5-F□□□□□□□□-SRX
2	Industrial GigE X-Code Ethernet Cable, M12 to RJ45 Connector	61-900013□□-0□ (Black) or FHV-VNB2, FHV-VNLB2 (Black)
3	PoE (Power over Ethernet) HUB that supports Power over Ethernet (IEEE 802.3at-compliant)	Example: Cisco, Netgear, etc.

*1. A 24VDC power supply is not needed for the VHV5-F if a PoE switching HUB is used.

Minimum Direct Power Configuration



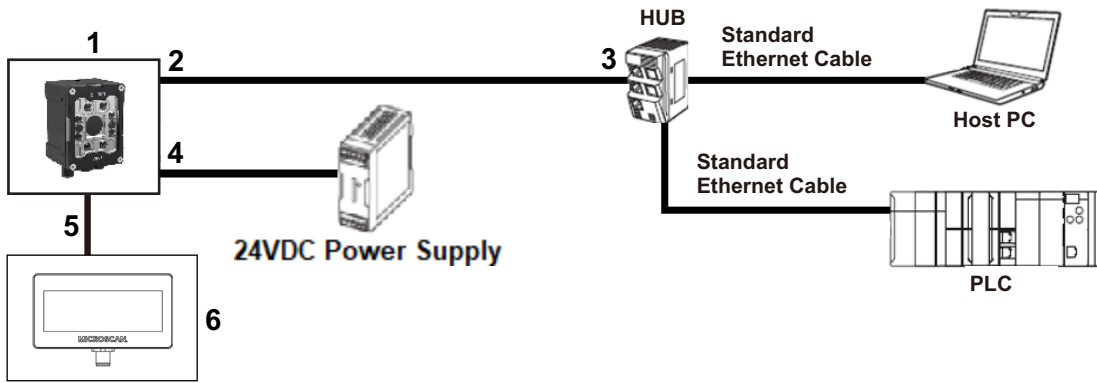
Drawing Reference	Category	Part Number
1	VHV5-F Reader	VHV5-F□□□□□□□□-SRX
2	Industrial GigE X-Code Ethernet Cable, M12 to RJ45 Connector	61-900013□-0□ (Black) or FHV-VNB2, FHV-VNLB2 (Black)
3	Industrial Switching HUB	Example: W4S1-□□□ Series
4	Power Supply, 100-240VAC, +24VDC, M12 12-Pin Socket*1	97-000012-01

*1. There are many types of outlet plugs for the power supply. Select a suitable plug type for your environment.

C13 Connector

Description	Part Number
AC Power Cable, 1.8 M, Japan, C13 Conn.	12-9001046-01
AC Power Cable, 1.8 M, U.S., C13 Conn.	12-9000959-01
AC Power Cable, 1.8 M, EU, C13 Conn.	12-9000960-01
AC Power Cable, 1.8 M, UK, C13 Conn.	12-9000961-01
AC Power Cable, 1.8 M, China, C13 Conn.	12-9000962-01

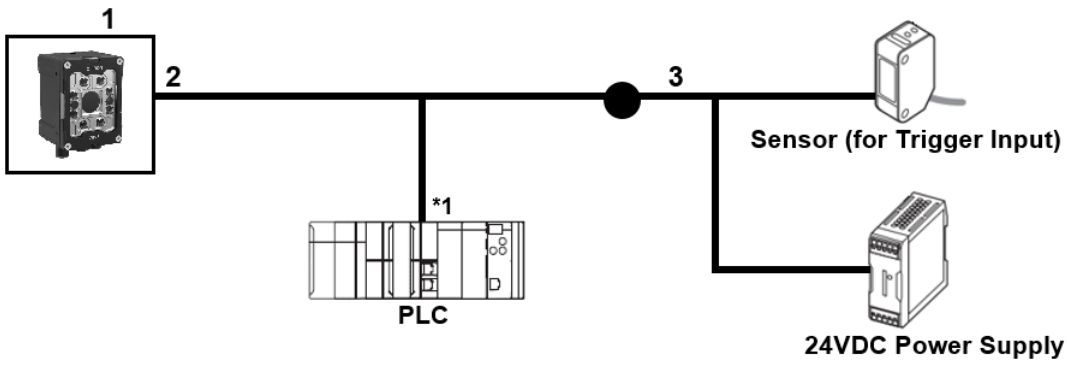
Direct Power Configuration with External Light



Drawing Reference	Category	Part Number
1	VHV5-F Reader	VHV5-F□□□□□□□□-SRX
2	Industrial GigE X-Code Ethernet Cable, M12 to RJ45 Connector	61-900013□-0□ (Black) or FHV-VNB2, FHV-VNLB2 (Black)
3	Industrial Switching HUB	Example: W4S1-□□□ Series
4	M12-to-Flying Leads Cable	V430-W8□□□-□M
5	VHV5-F to External Light – 5 Pin M12 Plug to 5 Pin M12 Socket	61-000184-01
6	NERLITE Smart Series Light (Example: Smart Series MAX, 100 mm, Red, M12 Connector)	Example: NER-011660201G

Important: Must use direct 24V power when using external light option to ensure adequate power to run the light and reader.

RS-232C Configuration

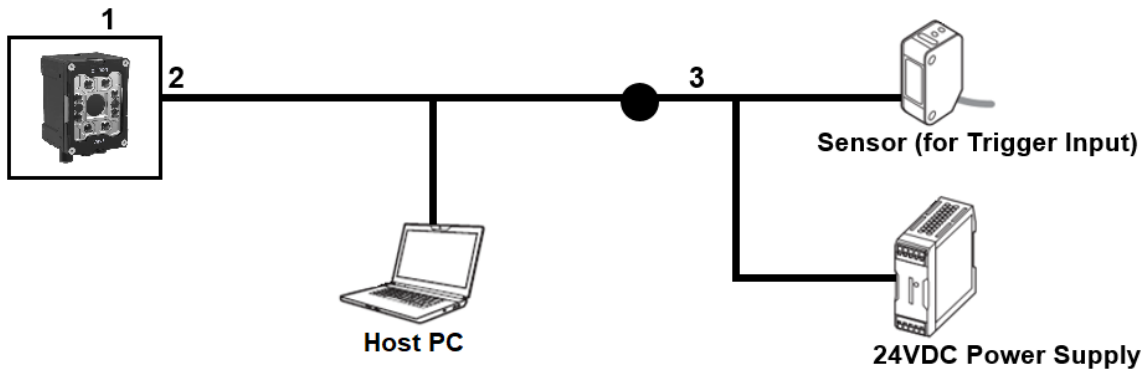


Drawing Reference	Category	Part Number
1	VHV5-F Reader	VHV5-F□□□□□□□□-SRX
2	Reader-to-QX-1 Interconnect Cable with RS-232 Breakout	V430-WQR-3M ^{*1}
3	M12-to-Flying Leads Cable	V430-W8□□□□-□M
4	RS-232C Conversion Cable Required for Legacy Omron PLCs	V430-WPLC-2M ^{*2}

*1. Insert the V430-WQR-3M cable between the VHV5-F and the V430-W8□□□□-□M cable.

*2. When connecting Omron's CS/CJ/NJ Legacy Controller, the additional RS-232C conversion cable is required. If connecting to Omron's current-generation NX Machine Automation Controller, no additional RS-232C cable is required.

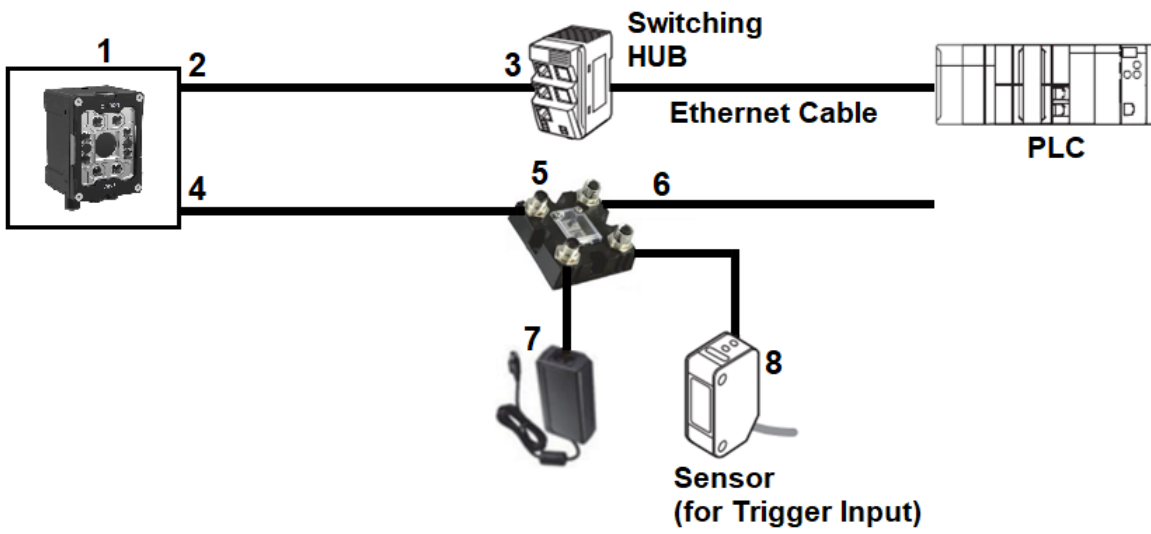
USB Keyboard Wedge Configuration



Drawing Reference	Category	Part Number
1	VHV5-F Reader	VHV5-F□□□□□□□□-SRX
2	Reader-to-QX-1 Interconnect Cable with USB Keyboard Wedge Breakout	V430-WQK-3M*1
3	M12-to-Flying Leads Cable	V430-W8□□□□-□M

*1. Insert the V430-WQK-3M cable between the VHV5-F and the V430-W8□□□□-□M cable.

Typical Configuration using Legacy QX-1 Cables and Accessories



Drawing Reference	Category	Part Number
1	VHV5-F Reader	VHV5-F□□□□□□□□-SRX
2	Industrial GigE X-Code Ethernet Cable, M12 to RJ45 Connector	61-900013□□-0□ (Black) or FHV-VNB2, FHV-VNLB2 (Black)
3	Industrial Switching HUB	Example: W4S1-□□□□ Series
4	Reader-to-QX-1 Interconnect Cable (Various)	V430-WQ□-□M
5	VHV5-F-to-External Light – 5-Pin M12 Plug to 5-Pin M12 Socket	61-000184-01
6	M12-to-Flying Leads Cable	V430-W8□□□□-□M
7	Power Supply, 100-240VAC, +24VDC @ 2.1A, M12 12-Pin Socket	97-000012-01
8	QX-1 Photo Sensor, or QX-1 Field-Wireable Trigger Connector Input	99-9000016-01
		98-9000239-01

VHV5-F

Determine the Correct Reader Model for the Application

There are six basic models of the autofocus VHV5-F. The models are derived from two sensor resolutions: **2.3 MP** and **5.0 MP**; and three different autofocus lenses: **Medium**, **Narrow**, and **Long**. The charts below show the key specifications for the two sensors and three lenses.

Sensor	Pixels	Pixel Size	Frame Rate
2.3 MP	1920 x 1200	3.0 µm	80 FPS
5.0 MP	2472 x 2048	2.74 µm	40 FPS

Lens Name	Lens Focal Length (mm)	Focus Range (mm)
Medium	8.50	55-500
Narrow	12.50	100-1,000
Long	20.00	100-2,000

These six models, derived from the two sensor types and three lens types, provide maximum flexibility to match the reader to the application.

Step 1 – The first step in determining the correct model is to evaluate the application by collecting five key pieces of information. This process is described in the section below titled "Evaluate the Application".

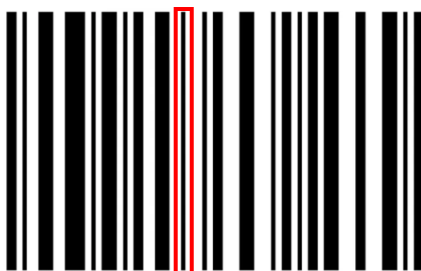
Step 2 – The second step is to use that data to look up the best sensor / lens combination in the "Distance, Field of View and Readability Tables" section below that best satisfies the application requirements.

Evaluate the Application

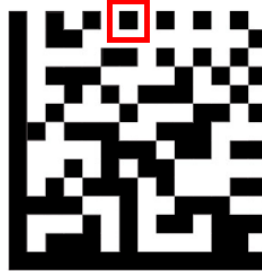
To choose the correct reader, perform an application evaluation and gather the following information:

- **Desired Mounting Distance** – Measured from the front of the reader to the code. Distance is usually dictated by mounting constraints.
- **Required Field of View** – View area required to see all codes. This should include the nominal code position, size, and expected variation in position while running.
- **Code Type** – Either 1D or 2D. Composite codes count as 2D.
- **Code Quality** – Two levels: (1.) High-quality, high-contrast codes. (2.) Lower-quality, lower-contrast codes marked with laser, dot peen, etc., generally referred to as direct part marks (DPM).
- **Code Size (Mils)** – For 1D codes, code size is the width of the narrowest bar in the code. For 2D codes, code size is the width / height of an individual cell or block (square element) in the code. Code size is typically specified in Mils, where 1 Mil = 1/1,000th of an inch. (0.0254 mm).
- **Code Color** – Code color can sometimes be a consideration. The most common light color for code readers is red. However, in the case of red print, Red light will cause the red print to disappear. The user should take this into consideration and order the unit with white LEDs instead.

Key Point: Code Size is not the overall size of the code, but is the size of the smallest element in the code. The example below shows that for 1D codes, the Code size specified as the width of the thinnest bar or space. For 2D codes, Code Size is the width / height of one of the black or white squares.



1D Barcode



2D Code

Choose the Model

The readability tables below show the sensor/lens combinations for VHV5-F models. For each reader-to-part distance, the tables show the resulting field of view, as well as the smallest code size that can be decoded reliably at that Distance in that Field of View.

Use the distance and field of view requirements determined in your application evaluation to choose the model that will provide the highest resolution for reading your Code Type (1D or 2D) and Code Quality (High-Contrast Label quality, Lower Contrast, DPM quality).

Note: Codes with sizes that are larger than the stated minimum can be assumed to be readable.

The following chart shows how the minimum code sizes in the readability tables have been determined. High-contrast (label-quality) marks need fewer pixels per element (lower PPE) to be decoded reliably. Low-print-quality and DPM (direct part mark) codes often require a higher PPE to get the same high read rates. Code grading, which involves actual measurements of the cells themselves, requires an even higher PPE.

Code Type	Minimum PPE	Preferred PPE	PPE for Code Grading
1D Code – Label Quality	1.6	2	5
1D Code – Direct Part Mark	2	2.5	5
2D Code – Label Quality	2.75	3.5 to 5	6 to 8
2D Code – Direct Part Mark	3.5	4 to 5	6 to 8

Distance, Field of View, and Readability Tables

Use the following tables to identify the Sensor/Lens combination that most closely matches the application requirements. The tables below use the Minimum PPE value from the table above.

For example: If the Code Type is a 2D DPM, and the Code Size is 15 mils, the first table shows that a 2D DPM code as small as 13.9 mils can be read all the way out to 200 mm, in a field of view of 194 x 121 mm.

2.3 MP Sensor Readability Tables

Medium Lens – 2.3 MP		Minimum Readable Code Size			
Distance [mm]	Field of View [mm x mm]	1D Label [Mils (mm)]	1D DPM [Mils (mm)]	2D Label [Mils (mm)]	2D DPM [Mils (mm)]
55	48 x 30	1.6 (0.040)	2.0 (0.051)	2.7 (0.069)	3.5 (0.088)
75	62 x 39	2.0 (0.052)	2.5 (0.065)	3.5 (0.089)	4.5 (0.113)
100	79 x 49	2.6 (0.066)	3.2 (0.082)	4.5 (0.113)	5.7 (0.144)
200	147 x 92	4.8 (0.122)	6.0 (0.153)	8.3 (0.210)	10.5 (0.268)
250	181 x 113	5.9 (0.151)	7.4 (0.188)	10.2 (0.259)	13.0 (0.329)
300	215 x 134	7.0 (0.179)	8.8 (0.223)	12.1 (0.307)	15.4 (0.391)
350	248 x 155	8.1 (0.207)	10.2 (0.259)	14.0 (0.356)	17.8 (0.453)
400	282 x 176	9.3 (0.235)	11.6 (0.294)	15.9 (0.404)	20.3 (0.515)
450	316 x 198	10.4 (0.263)	13.0 (0.329)	17.8 (0.453)	22.7 (0.576)
500	350 x 219	11.5 (0.292)	14.4 (0.365)	19.7 (0.501)	25.1 (0.638)

Narrow Lens – 2.3 MP		Minimum Readable Code Size			
Distance [mm]	Field of View [mm x mm]	1D Label [Mils (mm)]	1D DPM [Mils (mm)]	2D Label [Mils (mm)]	2D DPM [Mils (mm)]
100	50 x 31	1.6 (0.042)	2.1 (0.052)	2.8 (0.072)	3.6 (0.092)
150	73 x 46	2.4 (0.061)	3.0 (0.076)	4.1 (0.105)	5.3 (0.134)
200	96 x 60	3.2 (0.080)	3.9 (0.100)	5.4 (0.138)	6.9 (0.176)
250	119 x 75	3.9 (0.099)	4.9 (0.124)	6.7 (0.171)	8.6 (0.218)
300	142 x 89	4.7 (0.119)	5.8 (0.148)	8.0 (0.204)	10.2 (0.260)
350	165 x 103	5.4 (0.138)	6.8 (0.172)	9.3 (0.237)	11.9 (0.302)
400	188 x 118	6.2 (0.157)	7.7 (0.196)	10.6 (0.270)	13.5 (0.344)
450	212 x 132	6.9 (0.176)	8.7 (0.220)	11.9 (0.303)	15.2 (0.386)
500	235 x 147	7.7 (0.195)	9.6 (0.244)	13.2 (0.336)	16.8 (0.428)
600	281 x 175	9.2 (0.234)	11.5 (0.292)	15.8 (0.402)	20.1 (0.512)
700	327 x 204	10.7 (0.272)	13.4 (0.340)	18.4 (0.468)	23.4 (0.596)
800	373 x 233	12.2 (0.311)	15.3 (0.388)	21.0 (0.534)	26.8 (0.680)
900	419 x 262	13.7 (0.349)	17.2 (0.436)	23.6 (0.600)	30.1 (0.764)
1000	465 x 291	15.3 (0.387)	19.1 (0.484)	26.2 (0.666)	33.4 (0.848)

Long Lens – 2.3 MP		Minimum Readable Code Size			
Distance [mm]	Field of View [mm x mm]	1D Label [Mils (mm)]	1D DPM [Mils (mm)]	2D Label [Mils (mm)]	2D DPM [Mils (mm)]
100	31 x 20	1.2 (0.029)	1.3 (0.033)	1.8 (0.045)	2.3 (0.057)
150	46 x 29	1.7 (0.043)	1.9 (0.048)	2.6 (0.066)	3.3 (0.083)
200	60 x 38	2.2 (0.056)	2.5 (0.063)	3.4 (0.086)	4.3 (0.110)
250	75 x 47	2.8 (0.070)	3.1 (0.078)	4.2 (0.107)	5.4 (0.136)
300	89 x 56	3.3 (0.083)	3.6 (0.093)	5.0 (0.127)	6.4 (0.162)
350	103 x 65	3.8 (0.097)	4.2 (0.108)	5.8 (0.148)	7.4 (0.188)
400	118 x 74	4.3 (0.110)	4.8 (0.123)	6.6 (0.169)	8.5 (0.215)
450	132 x 83	4.9 (0.124)	5.4 (0.138)	7.5 (0.189)	9.5 (0.241)
500	147 x 92	5.4 (0.137)	6.0 (0.153)	8.3 (0.210)	10.5 (0.267)
600	175 x 110	6.5 (0.164)	7.2 (0.183)	9.9 (0.251)	12.6 (0.320)
700	204 x 128	7.5 (0.191)	8.4 (0.213)	11.5 (0.292)	14.7 (0.372)
800	233 x 146	8.6 (0.218)	9.6 (0.243)	13.1 (0.334)	16.7 (0.425)
900	262 x 164	9.7 (0.245)	10.7 (0.273)	14.8 (0.375)	18.8 (0.477)
1000	291 x 182	10.7 (0.272)	11.9 (0.303)	16.4 (0.416)	20.9 (0.530)
1100	319 x 200	11.8 (0.299)	13.1 (0.333)	18.0 (0.457)	22.9 (0.582)
1200	348 x 218	12.9 (0.326)	14.3 (0.363)	19.6 (0.499)	25.0 (0.635)
1300	377 x 236	13.9 (0.353)	15.5 (0.393)	21.3 (0.540)	27.1 (0.687)
1400	406 x 254	15.0 (0.380)	16.6 (0.423)	22.9 (0.581)	29.1 (0.740)
1500	435 x 272	16.0 (0.407)	17.8 (0.453)	24.5 (0.622)	31.2 (0.792)
1600	463 x 290	17.1 (0.434)	19.0 (0.483)	26.1 (0.664)	33.3 (0.845)
1700	492 x 308	18.2 (0.461)	20.2 (0.513)	27.8 (0.705)	35.3 (0.897)
1800	521 x 326	19.2 (0.488)	21.4 (0.543)	29.4 (0.746)	37.4 (0.950)
1900	550 x 344	20.3 (0.515)	22.5 (0.573)	31.0 (0.787)	39.5 (1.002)
2000	579 x 362	21.4 (0.542)	23.7 (0.603)	32.6 (0.829)	41.5 (1.055)

5.0 MP Sensor Readability Tables

Medium Lens – 5 MP		Minimum Readable Code Size			
Distance [mm]	Field of View [mm x mm]	1D Label [Mils (mm)]	1D DPM [Mils (mm)]	2D Label [Mils (mm)]	2D DPM [Mils (mm)]
55	56 x 47	1.5 (0.037)	1.8 (0.046)	2.5 (0.063)	3.2 (0.081)
75	72 x 60	1.9 (0.047)	2.3 (0.059)	3.2 (0.081)	4.1 (0.103)
100	92 x 77	2.4 (0.060)	3.0 (0.075)	4.1 (0.103)	5.2 (0.132)
150	131 x 110	3.4 (0.086)	4.2 (0.107)	5.8 (0.148)	7.4 (0.188)
200	171 x 143	4.4 (0.112)	5.5 (0.140)	7.6 (0.192)	9.6 (0.244)
250	210 x 176	5.4 (0.137)	6.8 (0.172)	9.3 (0.236)	11.8 (0.301)
300	250 x 209	6.4 (0.163)	8.0 (0.204)	11.0 (0.281)	14.1 (0.357)
350	289 x 242	7.4 (0.189)	9.3 (0.236)	12.8 (0.325)	16.3 (0.414)
400	329 x 275	8.5 (0.215)	10.6 (0.269)	14.5 (0.369)	18.5 (0.470)
450	368 x 308	9.5 (0.241)	11.8 (0.301)	16.3 (0.414)	20.7 (0.526)
500	408 x 341	10.5 (0.266)	13.1 (0.333)	18.0 (0.458)	22.9 (0.583)

Narrow Lens – 5 MP –		Minimum Readable Code Size			
Distance [mm]	Field of View [mm x mm]	1D Label [Mils (mm)]	1D DPM [Mils (mm)]	2D Label [Mils (mm)]	2D DPM [Mils (mm)]
100	58 x 49	1.5 (0.038)	1.9 (0.048)	2.6 (0.066)	3.3 (0.084)
150	85 x 71	2.2 (0.056)	2.7 (0.070)	3.8 (0.096)	4.8 (0.122)
200	112 x 94	2.9 (0.073)	3.6 (0.092)	5.0 (0.126)	6.3 (0.160)
250	139 x 116	3.6 (0.091)	4.5 (0.114)	6.1 (0.156)	7.8 (0.199)
300	166 x 139	4.3 (0.108)	5.3 (0.135)	7.3 (0.186)	9.3 (0.237)
350	193 x 161	5.0 (0.126)	6.2 (0.157)	8.5 (0.216)	10.8 (0.275)
400	219 x 184	5.6 (0.143)	7.1 (0.179)	9.7 (0.247)	12.4 (0.314)
450	246 x 206	6.3 (0.161)	7.9 (0.201)	10.9 (0.277)	13.9 (0.352)
500	273 x 229	7.0 (0.179)	8.8 (0.223)	12.1 (0.307)	15.4 (0.391)
600	327 x 273	8.4 (0.214)	10.5 (0.267)	14.5 (0.367)	18.4 (0.467)
700	380 x 318	9.8 (0.249)	12.2 (0.311)	16.8 (0.427)	21.4 (0.544)
800	434 x 363	11.2 (0.284)	14.0 (0.355)	19.2 (0.488)	24.4 (0.621)
900	488 x 408	12.6 (0.319)	15.7 (0.399)	21.6 (0.548)	27.5 (0.697)
1000	541 x 453	13.9 (0.354)	17.4 (0.442)	23.9 (0.608)	30.5 (0.774)

Long Lens – 5 MP		Minimum Readable Code Size			
Distance [mm]	Field of View [mm x mm]	1D Label [Mils (mm)]	1D DPM [Mils (mm)]	2D Label [Mils (mm)]	2D DPM [Mils (mm)]
100	37 x 31	1.0 (0.027)	1.2 (0.030)	1.6 (0.041)	2.1 (0.052)
150	53 x 45	1.5 (0.039)	1.7 (0.044)	2.4 (0.060)	3.0 (0.076)
200	70 x 59	2.0 (0.051)	2.3 (0.057)	3.1 (0.079)	3.9 (0.100)
250	87 x 73	2.5 (0.063)	2.8 (0.071)	3.8 (0.098)	4.9 (0.124)
300	104 x 87	3.0 (0.075)	3.3 (0.085)	4.6 (0.116)	5.8 (0.148)
350	120 x 101	3.5 (0.088)	3.9 (0.098)	5.3 (0.135)	6.8 (0.172)
400	137 x 115	3.9 (0.100)	4.4 (0.112)	6.1 (0.154)	7.7 (0.196)
450	154 x 129	4.4 (0.112)	5.0 (0.126)	6.8 (0.173)	8.7 (0.220)
500	171 x 143	4.9 (0.124)	5.5 (0.139)	7.5 (0.192)	9.6 (0.244)
600	204 x 171	5.9 (0.149)	6.6 (0.167)	9.0 (0.229)	11.5 (0.292)
700	238 x 199	6.8 (0.173)	7.6 (0.194)	10.5 (0.267)	13.4 (0.340)
800	271 x 227	7.8 (0.198)	8.7 (0.222)	12.0 (0.305)	15.3 (0.388)
900	305 x 255	8.7 (0.222)	9.8 (0.249)	13.5 (0.342)	17.2 (0.436)
1000	338 x 283	9.7 (0.246)	10.9 (0.276)	15.0 (0.380)	19.0 (0.484)
1100	372 x 311	10.7 (0.271)	12.0 (0.304)	16.4 (0.418)	20.9 (0.532)
1200	405 x 339	11.6 (0.295)	13.0 (0.331)	17.9 (0.455)	22.8 (0.580)
1300	439 x 367	12.6 (0.320)	14.1 (0.359)	19.4 (0.493)	24.7 (0.628)
1400	473 x 395	13.5 (0.344)	15.2 (0.386)	20.9 (0.531)	26.6 (0.676)
1500	506 x 423	14.5 (0.368)	16.3 (0.413)	22.4 (0.568)	28.5 (0.724)
1600	540 x 451	15.5 (0.393)	17.4 (0.441)	23.9 (0.606)	30.4 (0.771)
1700	573 x 479	16.4 (0.417)	18.4 (0.468)	25.3 (0.644)	32.3 (0.819)
1800	607 x 508	17.4 (0.442)	19.5 (0.496)	26.8 (0.682)	34.1 (0.867)

VHV5-F

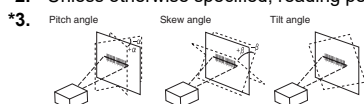
Long Lens – 5 MP		Minimum Readable Code Size			
Distance [mm]	Field of View [mm x mm]	1D Label [Mils (mm)]	1D DPM [Mils (mm)]	2D Label [Mils (mm)]	2D DPM [Mils (mm)]
1900	640 x 536	18.4 (0.466)	20.6 (0.523)	28.3 (0.719)	36.0 (0.915)
2000	674 x 564	19.3 (0.491)	21.7 (0.550)	29.8 (0.757)	37.9 (0.963)

Ratings and Specifications

VHV5-F		VHV5-F□□□□023M-□□□	VHV5-F□□□□050M-□□□
Model		VHV5-F□□□□023M-□□□	VHV5-F□□□□050M-□□□
Image Sensor	Resolution	2.3 MP - 1920 (H) x 1200 (V)	5.0 MP - 2472 (H) x 2048 (V)
	Pixel Size	3 μm	2.74 μm
	Color / Monochrome	Monochrome CMOS	
	Shutter	Global Shutter	
	Frames per Second	80 FPS	40 FPS
	Exposure	16 μs to 300,000 μs	50 μs to 300,000 μs (16 μs to 300,000 μs with strobe duration)
	Lens Selections	Focal Length: Medium = 8.5 mm, Narrow = 12.5 mm, Long = 20 mm	
	Focus	Liquid Lens Autofocus or Fixed Focus	
Symbologies *1	1D Symbologies	Code 39, Code 128, BC412, Interleaved 2 of 5, UPC/EAN, Codabar, Code 93, Pharmacode, PLANET, POSTNET, Japanese Post, Australian Post, Royal Mail, Intelligent Mail, KIX	
	2D Symbologies	Data Matrix (ECC 0-200), QR Code, Micro QR Code, Aztec Code, DotCode	
	Stacked Symbologies	PDF417, MicroPDF417, GS1 Databar (Composite and Stacked)	
ISO Code Validation	Data Matrix, QR Codes, 1D Symbologies	Validation only using ISO 15416, ISO 15415, and ISO 29158:2020	
Reading Performance *2	Number of Reading Digits	No upper limit (depends on bar width and reading distance)	
	Targeting Optics	Two green parallel LED spots	
	Illumination	8 high-power LEDs: White (6,500K) or Red (Wavelength: 625 nm)	
	Reading Distance / Field of View	Refer to "Distance, Field of View, and Readability Tables" earlier in this document for details based on Lens and Sensor Type.	
	Pitch Angle (α) *3	±30°	
	Skew Angle (β) *3	±30°	
	Tilt Angle (γ) *3	±180°	
Trigger		External Trigger (Edge or Level), Serial Trigger (Ethernet, RS-232C), PLC	
Digital I/O Specifications	Input Signals	3 Fully Configurable Inputs: IN1 (Trigger by Default), IN2, IN3. Bi-directional, Optoisolated, 4.5-28V-rated (10 mA @ 28 VDC).	
	Output Signals	3 Fully Configurable Outputs: OUT1, OUT2, OUT3 (Strobe Optional). Bi-directional, Optoisolated, 3-28V rated, (I _{CE} < 100 mA at 24 VDC, current limited by user).	
	External Strobe	24V, GND, Strobe+ (> 1.5kΩ, user-implemented), Strobe- (> 1.5kΩ, user-implemented), Analog Intensity Control (0-10V). (Strobe Trigger can operate as NPN or PNP).	
Communication	Connectivity	RS-232C, Ethernet TCP/IP, EtherNet/IP™, PROFINET	
	Ethernet Specifications	1000BASE-T	
Image Logging	Image Logging Type	To RAM	
Indicator LEDs	Membrane Switch	PWR (Green), LINK (Amber), MODE/STATUS (Amber), TRIGGER (Amber), PASS (Green), FAIL (Red)	
	360° Indicators	PASS (Green), FAIL (Red)	
Power Supply Voltage		Power over Ethernet (IEEE 802.3at) / 24 VDC +/- 10%	
Current Consumption		PoE+: 44-57 VDC @ 0.6 A (Max.); Direct: 24 VDC @ 2.1 A (Max.); External Light Port Connector: 24 VDC @ 1.5 A (Max) (Internally Current-Limited)	
Environmental / Immunity	Ambient Temperature Range	Operating: 0 to 45° C; Storage: -25 to 65° C (with no icing or condensation)	
	Ambient Humidity Range	Operating and Storage: 25% to 85% (with no condensation)	
	Ambient Atmosphere	No Corrosive Gases	
	Vibration Resistance (Destructive)	Oscillation Frequency: 10 to 150 Hz; Half Amplitude: 0.35 mm; Vibration Direction: X/Y/Z; Sweep Time: 8 Minutes/Count; Sweep Count: 10 Times	
	Shock Resistance (Destructive)	Impact Force: 150 m/s ² , Test Direction: 6 Directions, 3 Times Each (Up / Down, Front / Behind, Left / Right)	
	Degree of Protection	IEC 60529 IP69K	
Weight	Main Body Only	372 g	
	Packaged Weight	505 g	
Dimensions	Main Body Dimensions	57.5 mm (W) × 50.5 mm (D) × 75 mm (H) (89 mm height with connectors)	
	Packaging Dimensions	170 mm (W) × 117 mm (D) × 86 mm (H)	
Accessories		ReadMeFirst, CE Compliance Sheet	
Safety Standards		IEC/EN 62368-1, 2nd and 3rd Ed UL 60950-1, 2nd Edition, 2019-05-09 (Information Technology Equipment - Safety - Part 1: General Requirements) CAN/CSA C22.2 No. 60950-1-07, 2nd Edition, 2014-10 (Information Technology Equipment - Safety - Part 1: General Requirements) FCC, UL, CE, UKCA, RCM, KC *4	
Materials	Case	Aluminum, black anodized	
	Reading Window	Acrylic	
Software		WebLink	

*1. Symbologies are supported based on Omron's read capability validation standard. Omron recommends that validation be performed for each application.

*2. Unless otherwise specified, reading performance is defined with center of field of view, angle R = ∞.



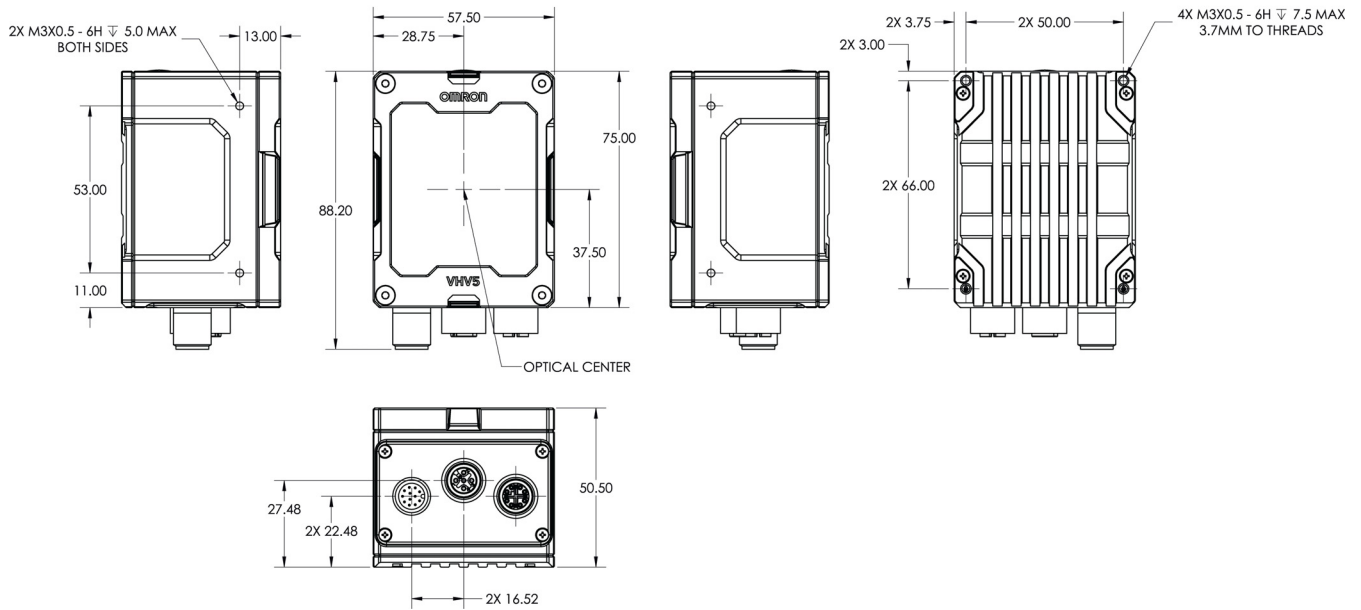
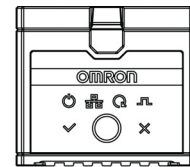
*4. FCC = United States
UL = United States
CE = European Union
UKCA = Great Britain (England / Wales / Scotland)
RCM = Australia / New Zealand
KC = South Korea

VHV5-F

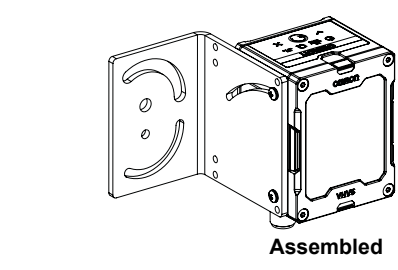
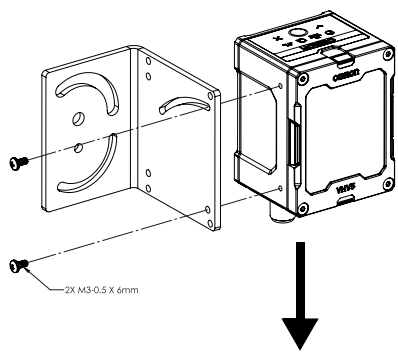
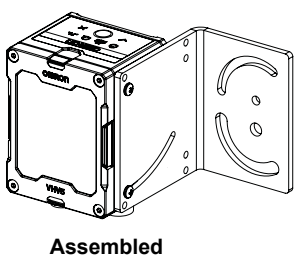
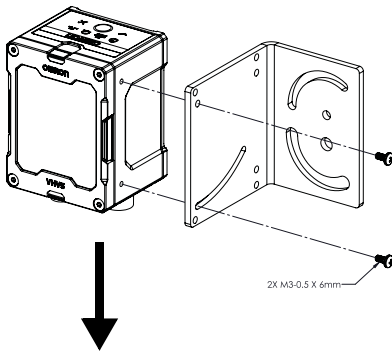
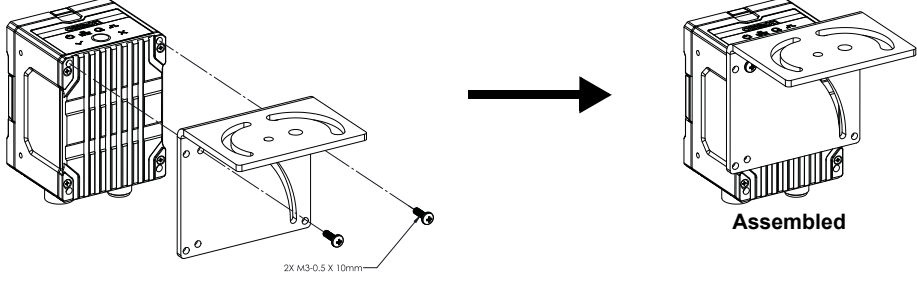
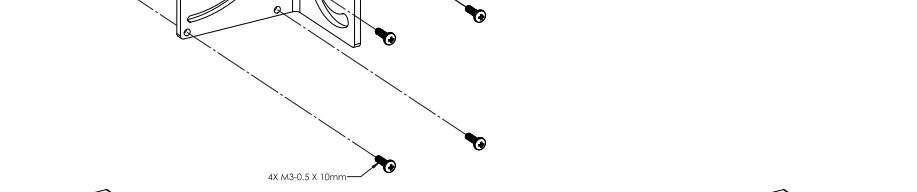
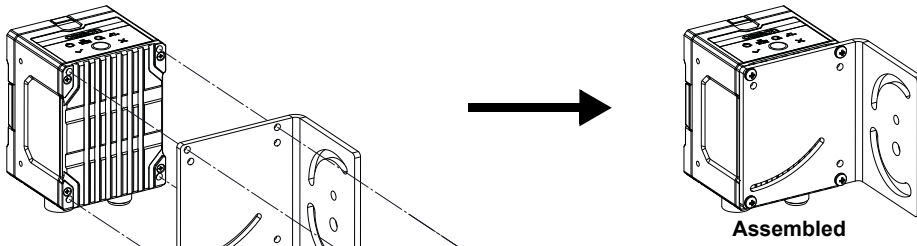
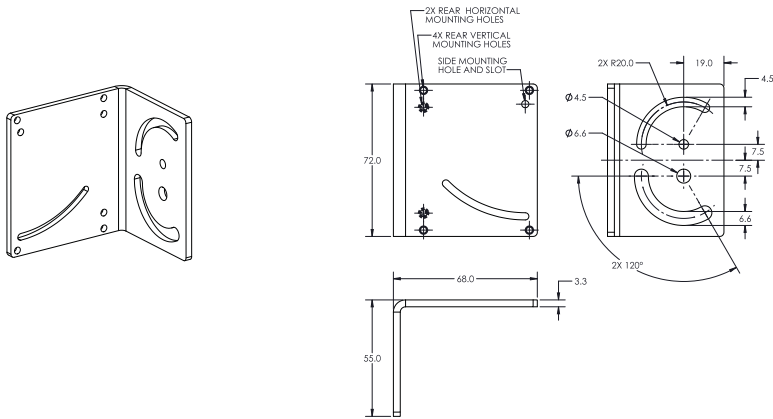
Dimensions

VHV5-F Autofocus Multicode Reader

(Unit: mm)

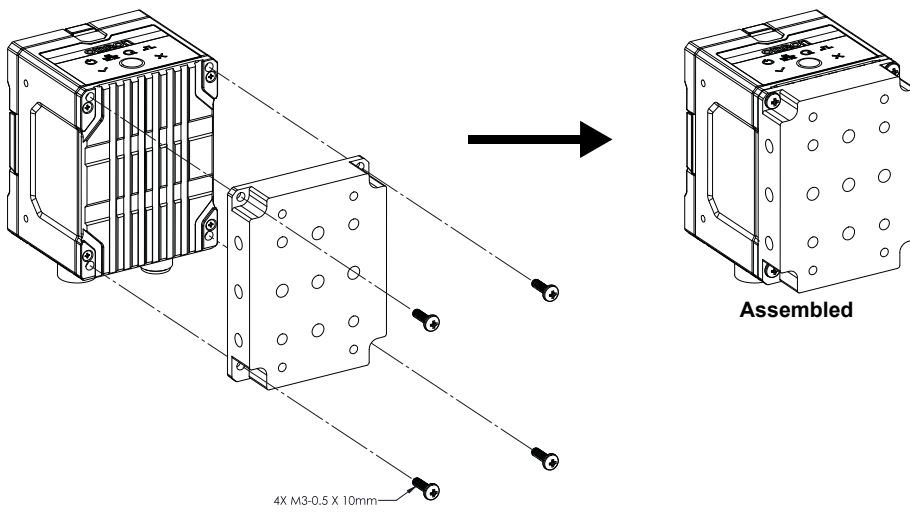
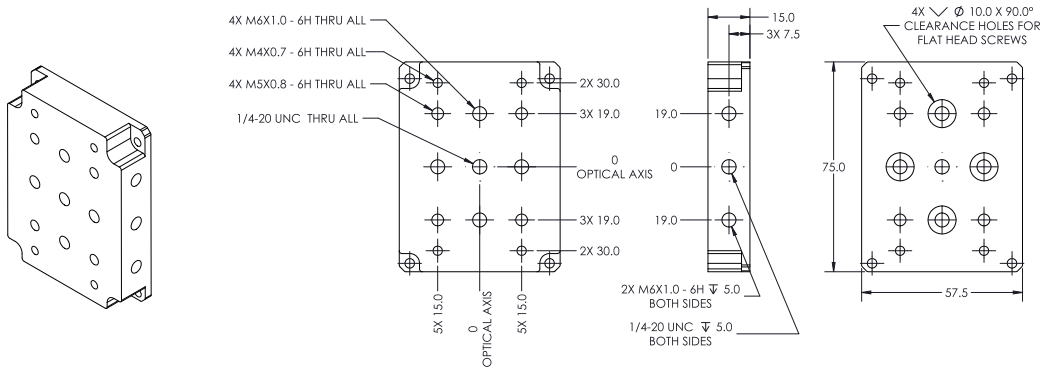


VHV5-F L-Bracket Adjustable Angle Mounting Kit
VHV5-AM0

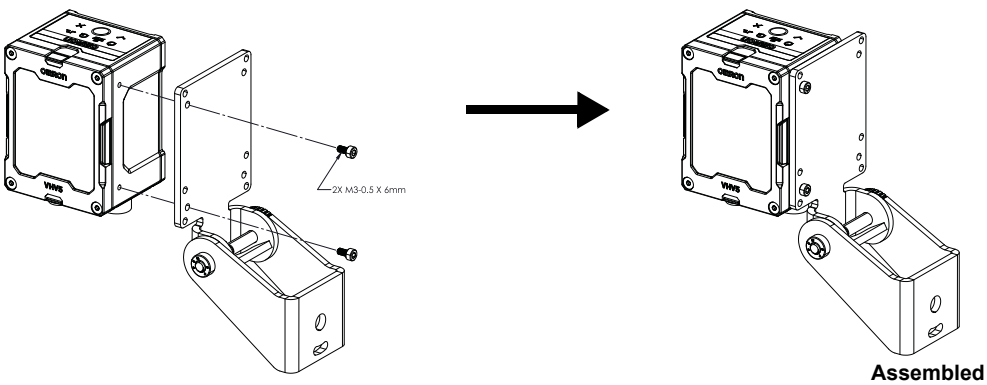
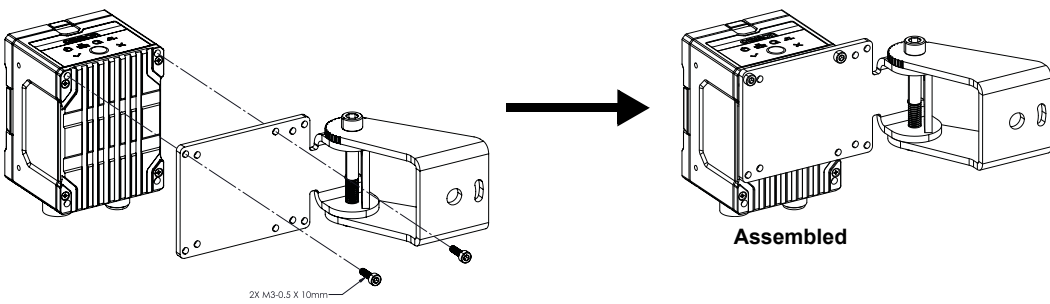
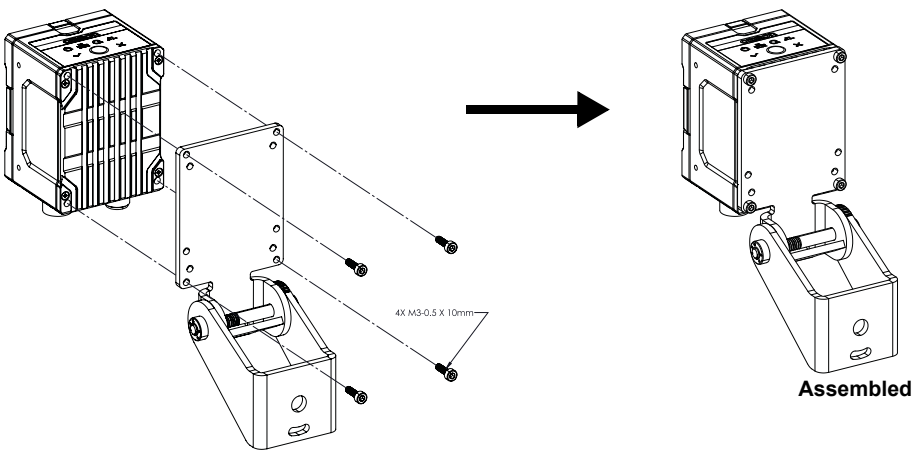
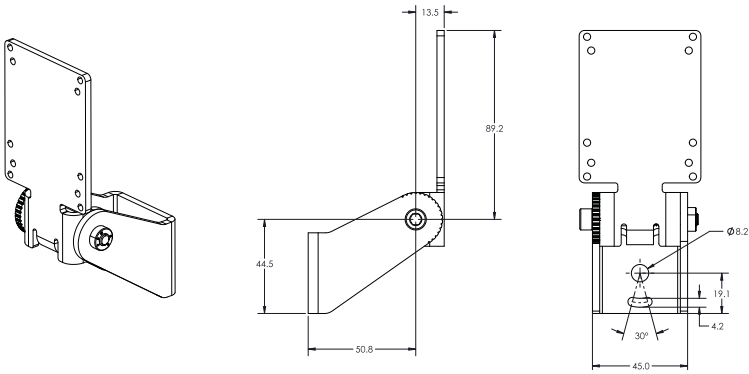


VHV5-F

VHV5-F Universal Mounting Block and Heatsink VHV5-AM1

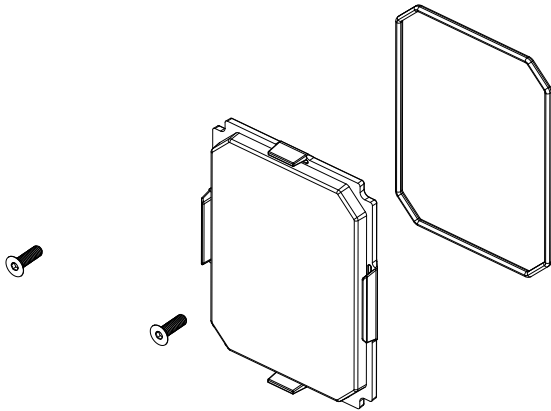


VHV5-F APG Pan and Tilt Camera Mount
VHV5-AM2



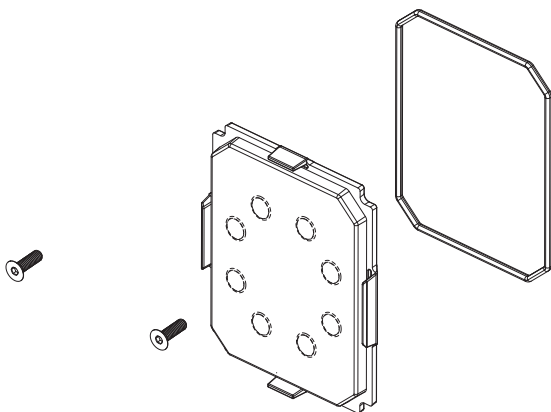
VHV5-F

VHV5-F Standard Window (for Medium Lens Models) VHV5-AF0



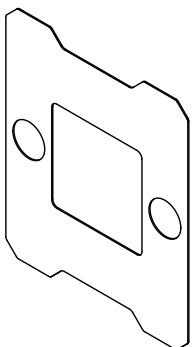
Torque: 4.8 in./lbs.
(0.54 nm max.)

VHV5-F Lensed Window (for Narrow and Long Lens Models) VHV5-AF1

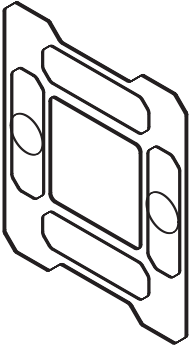


Torque: 4.8 in./lbs.
(0.54 nm max.)

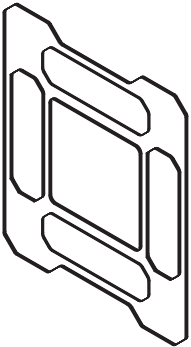
VHV5-F Diffuser Accessory VHV5-AF2



VHV5-F Polarizer Accessory
VHV5-AF3



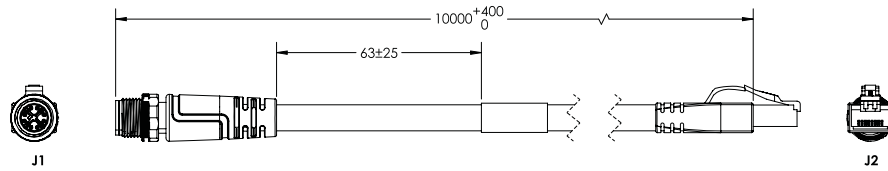
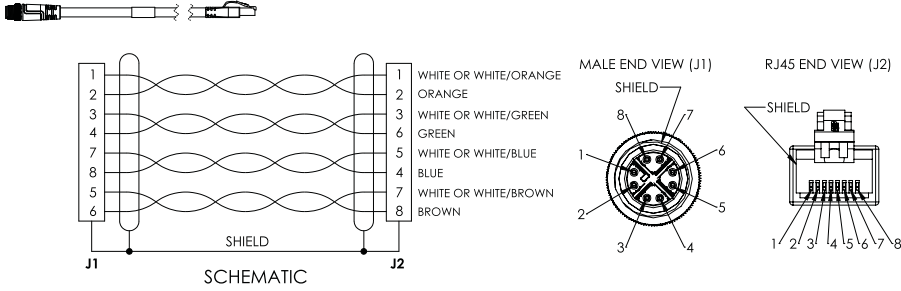
VHV5-F Half Polarizer Accessory
VHV5-AF4



VHV5-F

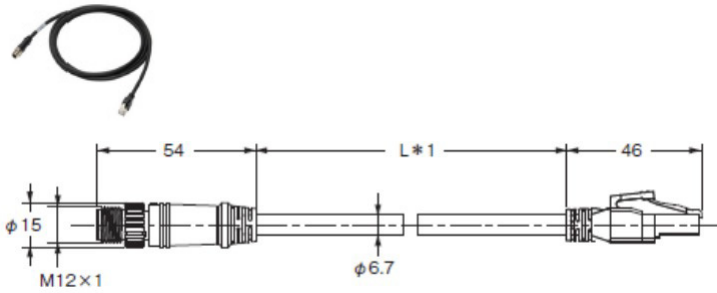
X-Code to RJ45 Ethernet Cable (High Flex, Straight, Black Jacket) – 1 M, 2 M, 5 M, 10 M

- 61-9000134-01
- 61-9000134-02
- 61-9000134-03
- 61-9000134-04



X-Code to RJ45 Ethernet Cable (High Flex, Straight, Black Jacket) – 2 M, 3 M, 5 M, 10 M, 20 M

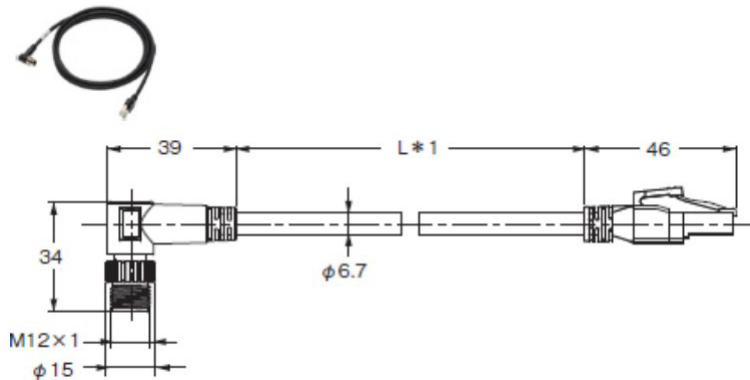
- FHV-VNB2 2M
- FHV-VNB2 3M
- FHV-VNB2 5M
- FHV-VNB2 10M
- FHV-VNB2 20M



*1 – Overall cable length varies based on model number. Example: FHV-VNB2 2M is a 2 meter cable.

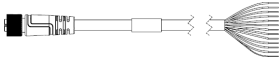
X-Code to RJ45 Ethernet Cable (High Flex, Right-Angle, Black Jacket) – 2 M, 3 M, 5 M, 10 M, 20 M

- FHV-VNLB2 2M
- FHV-VNLB2 3M
- FHV-VNLB2 5M
- FHV-VNLB2 10M
- FHV-VNLB2 20M

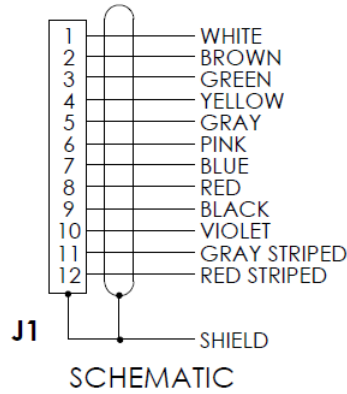


*1 – Overall cable length varies based on model number. Example: FHV-VNLB2 2M is a 2 meter cable.

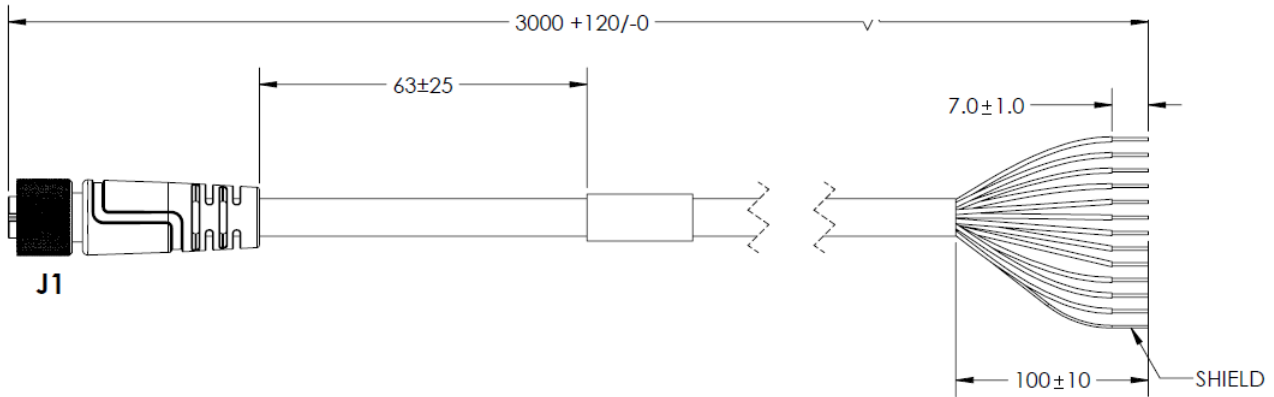
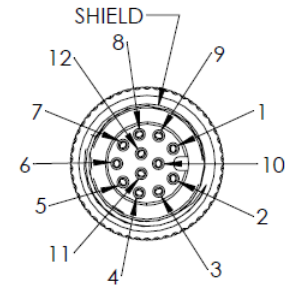
M12 to Flying Leads Cable – Parallel IO (Power, DIO, RS-232) – 3 Meters, 5 Meters, 10 Meters
V430-W8-3M
V430-W8-5M
V430-W8-10M



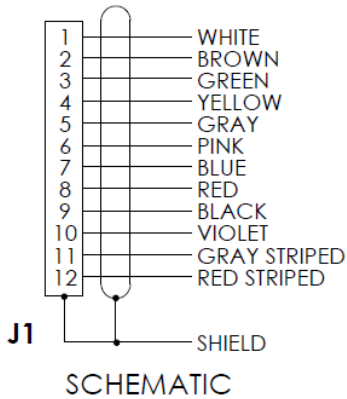
Pin	Name	Use
1	Trigger (Input 1)	Trigger
2	Power (+VIN)	24 Volts
3	Input 3	General Purpose Input
4	Input 2	General Purpose Input
5	Output 1	General Purpose Output
6	Output 3	General Purpose Output, Optional Light Control
7	Ground (-VIN)	24V Reference (GND)
8	Input Common	NPN or PNP Common for Input
9	RS-232 (Host) RxD	Serial Command Input
10	RS-232 (Host) TxD	Serial Output Data
11	Output 2	General Purpose Output
12	Output Common	NPN or PNP Common for Output



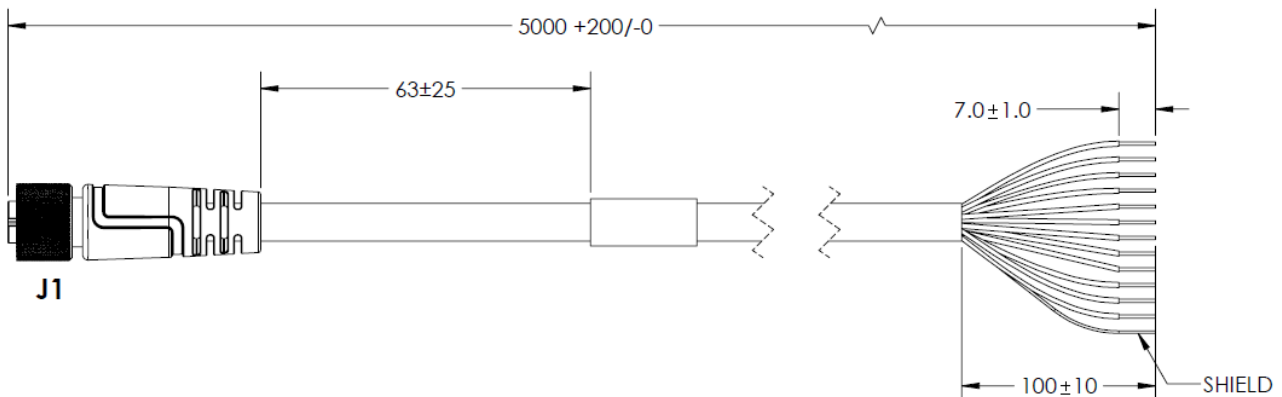
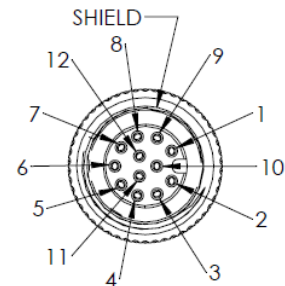
FEMALE END VIEW (J1)



Pin	Name	Use
1	Trigger (Input 1)	Trigger
2	Power (+VIN)	24 Volts
3	Input 3	General Purpose Input
4	Input 2	General Purpose Input
5	Output 1	General Purpose Output
6	Output 3	General Purpose Output, Optional Light Control
7	Ground (-VIN)	24V Reference (GND)
8	Input Common	NPN or PNP Common for Input
9	RS-232 (Host) RxD	Serial Command Input
10	RS-232 (Host) TxD	Serial Output Data
11	Output 2	General Purpose Output
12	Output Common	NPN or PNP Common for Output



FEMALE END VIEW (J1)

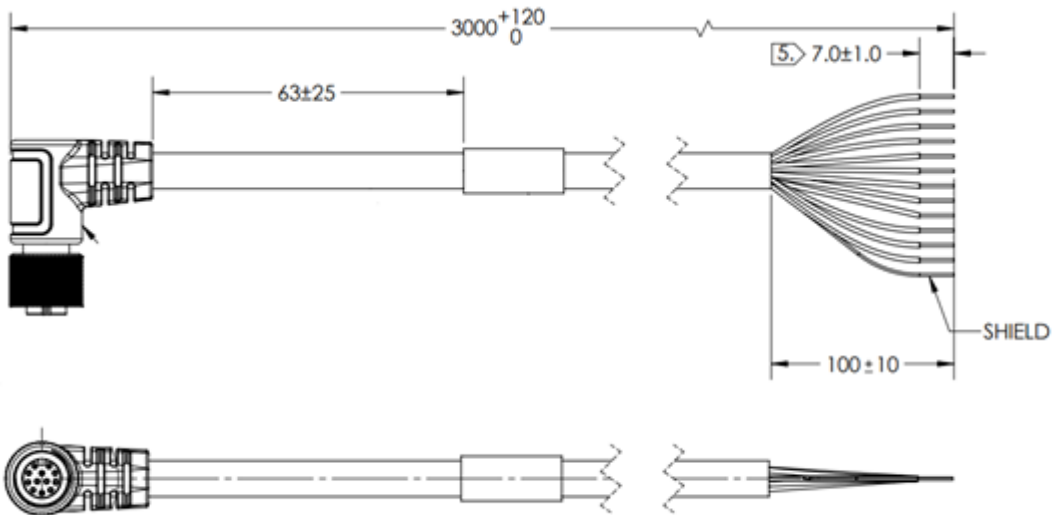
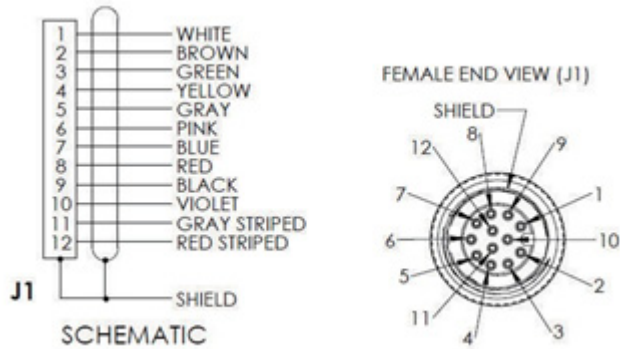


VHV5-F

M12 to Flying Leads Cable – Parallel IO (Power, DIO, RS-232), Right Angle Back – 3 Meters V430-W8LD-3M



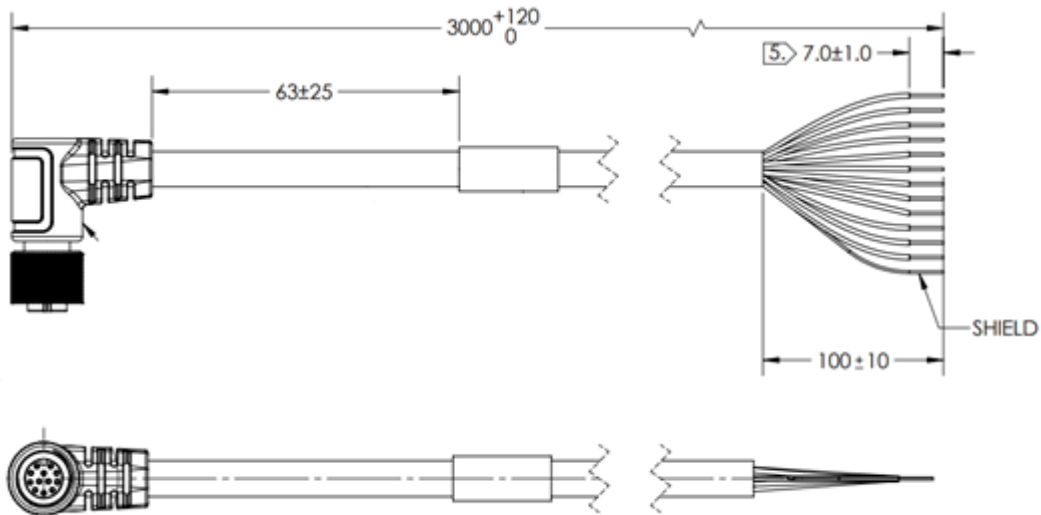
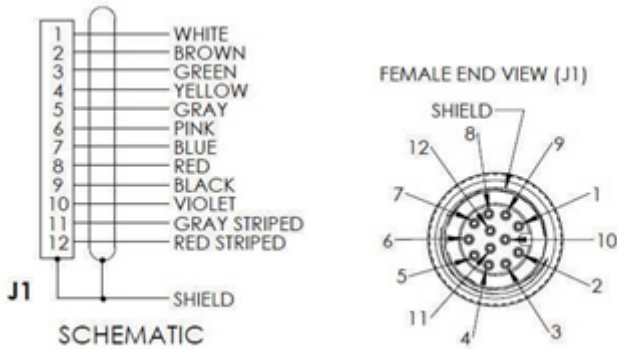
Pin	Name	Use
1	Trigger (Input 1)	Trigger
2	Power (+VIN)	24 Volts
3	Input 3	General Purpose Input
4	Input 2	General Purpose Input
5	Output 1	General Purpose Output
6	Output 3	General Purpose Output, Optional Light Control
7	Ground (-VIN)	24V Reference (GND)
8	Input Common	NPN or PNP Common for Input
9	RS-232 (Host) RxD	Serial Command Input
10	RS-232 (Host) TxD	Serial Output Data
11	Output 2	General Purpose Output
12	Output Common	NPN or PNP Common for Output



M12 to Flying Leads Cable – Parallel IO (Power, DIO, RS-232), Right Angle Front – 3 Meters
V430-W8LU-3M

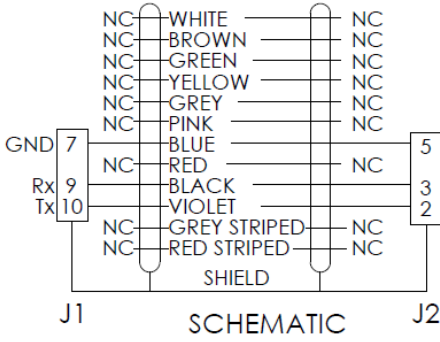


Pin	Name	Use
1	Trigger (Input 1)	Trigger
2	Power (+VIN)	24 Volts
3	Input 3	General Purpose Input
4	Input 2	General Purpose Input
5	Output 1	General Purpose Output
6	Output 3	General Purpose Output, Optional Light Control
7	Ground (-VIN)	24V Reference (GND)
8	Input Common	NPN or PNP Common for Input
9	RS-232 (Host) RxD	Serial Command Input
10	RS-232 (Host) TxD	Serial Output Data
11	Output 2	General Purpose Output
12	Output Common	NPN or PNP Common for Output

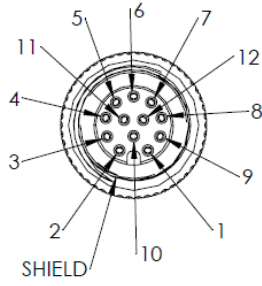


VHV5-F

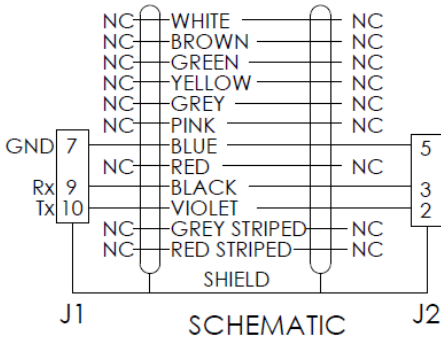
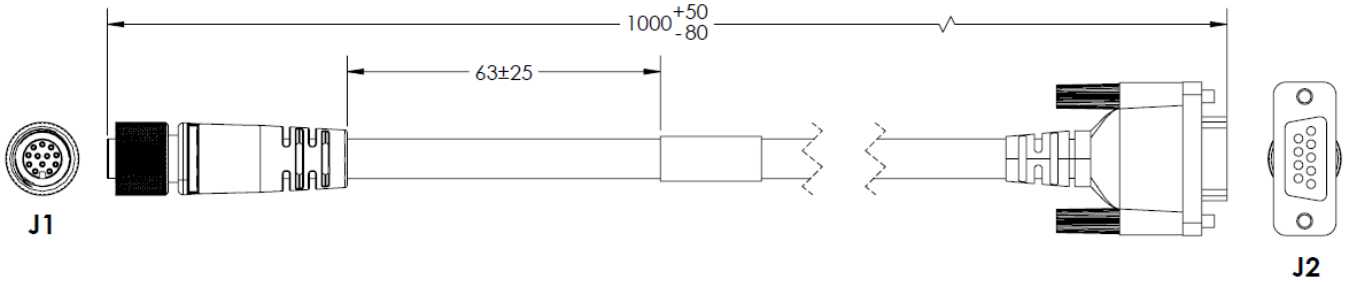
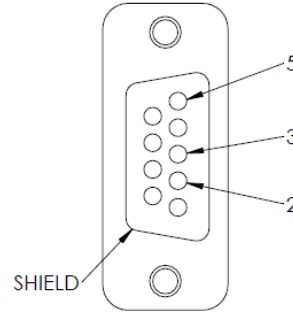
Reader M12 to RS-232 Breakout Cable – 1 Meter, 3 Meters
 V430-WR-1M
 V430-WR-3M



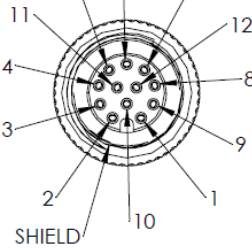
M12 END VIEW (J1)



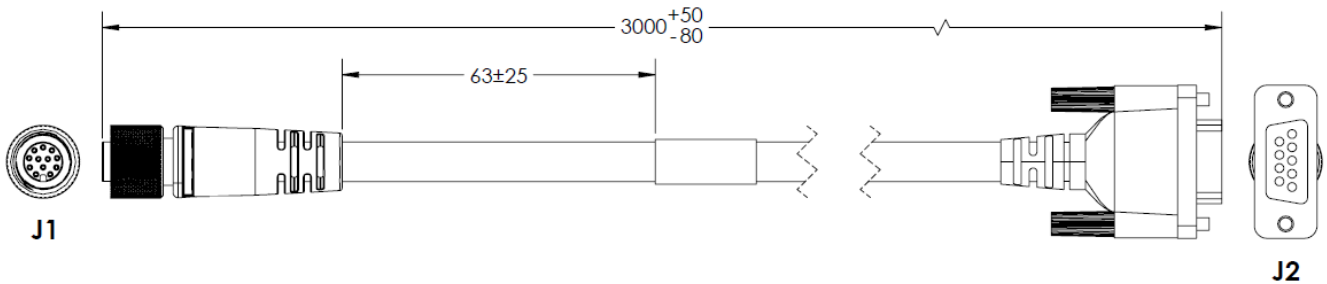
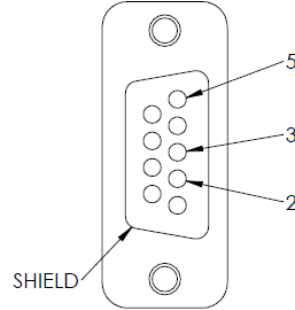
DB9 END VIEW (J2)



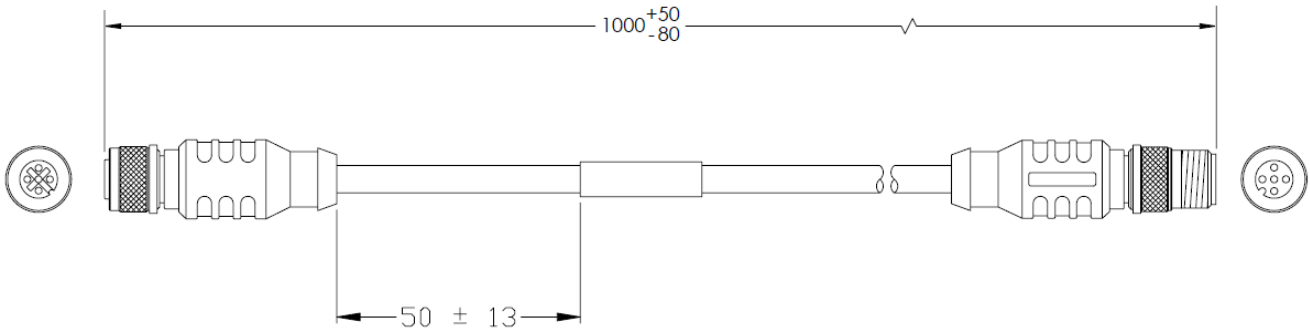
M12 END VIEW (J1)



DB9 END VIEW (J2)



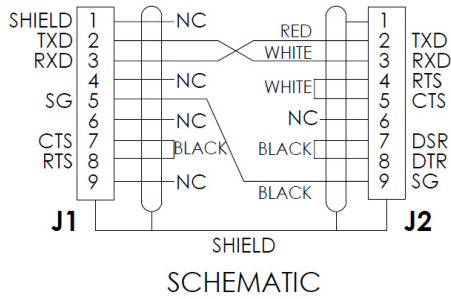
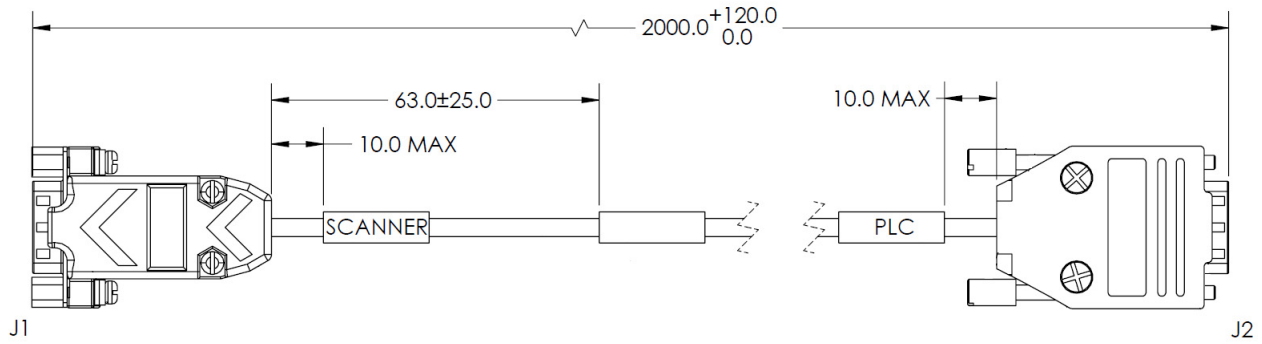
VHV5-F to External Light – 5 Pin M12 Plug to 5 Pin M12 Socket – 1 Meter
61-000184-01



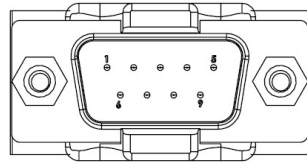
FEMALE END VIEW	MALE END VIEW
<p>1 = BROWN 2 = WHITE 3 = BLUE 4 = BLACK 5 = GRAY</p>	<p>1 = BROWN 2 = WHITE 3 = BLUE 4 = BLACK 5 = GRAY</p>

VHV5-F

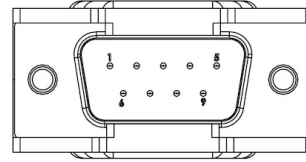
Cable, Adapter, Omron PLC – 2 Meters V430-WPLC-2M



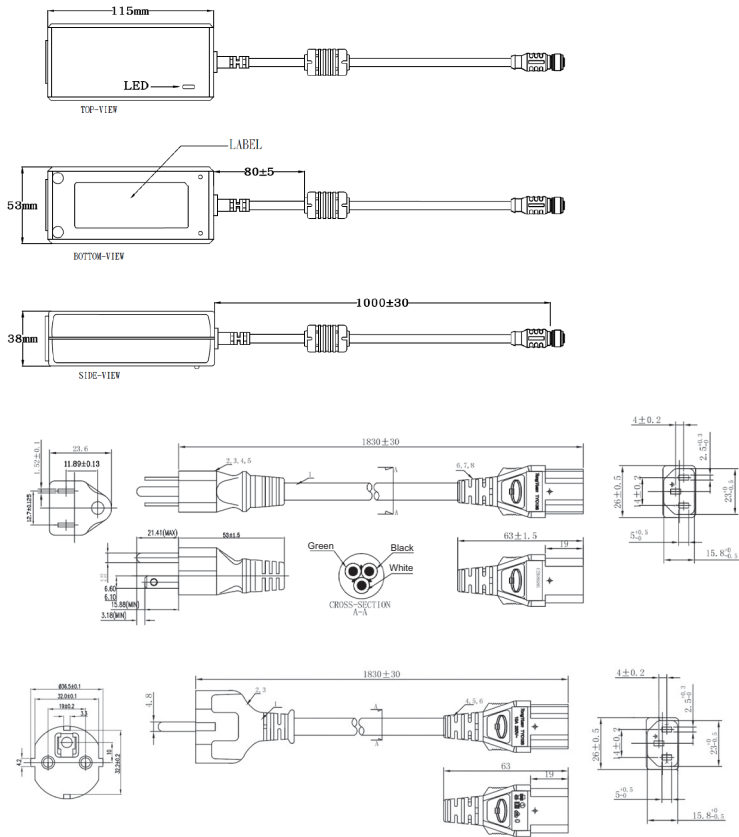
9 POS D-SUB PLUG (J1)



9 POS D-SUB PLUG (J2)

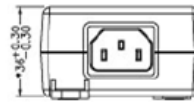
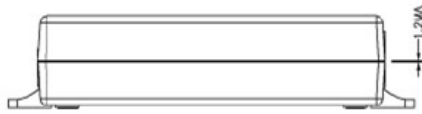
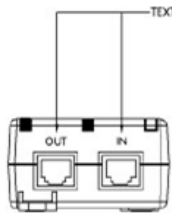
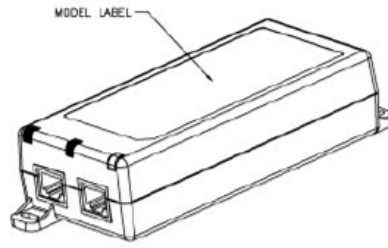
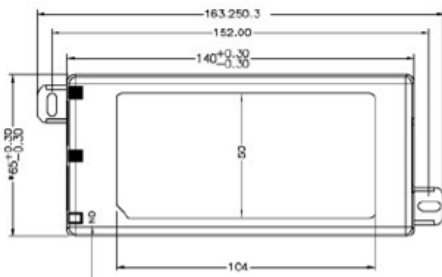


Power Supply, 100-240VAC, +24VDC, M12 12-Pin Socket – 1 Meter – U.S. / Euro Plug
 97-000012-01

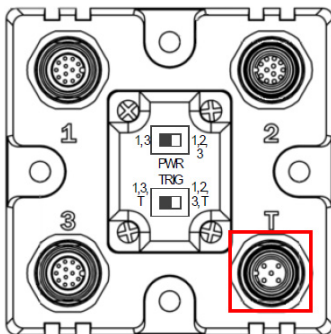
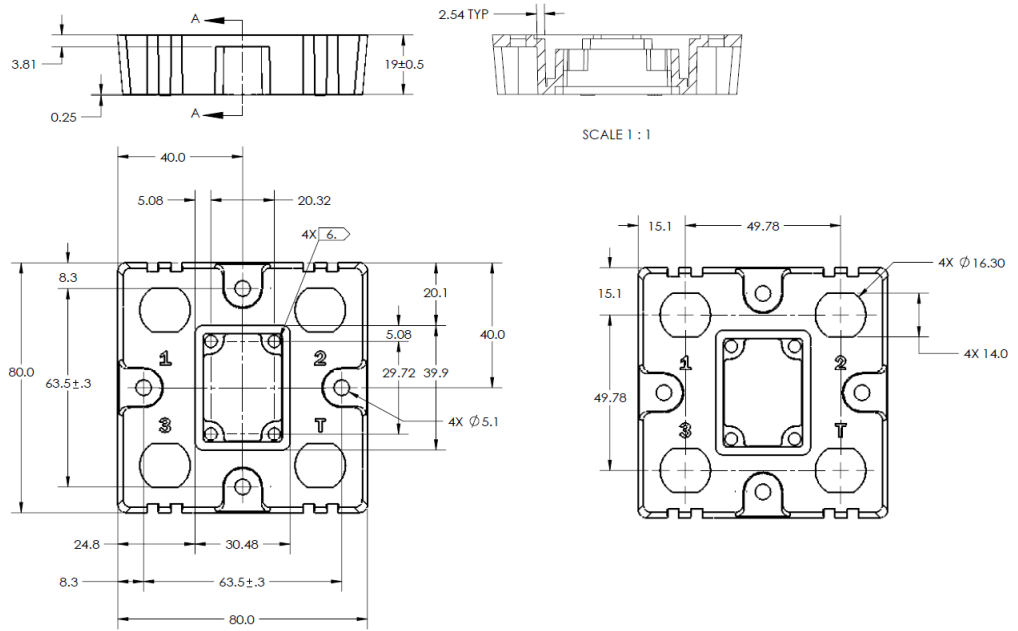


VHV5-F

Single Port PoE Injector, 30W, IEEE802.3at Compliant, 2 x RJ45 Connector, 90 to 264VAC
98-9000311-01



QX-1 Interconnect Module – Power, Trigger, Daisy Chain, Smart Light Control Breakout
98-000103-02



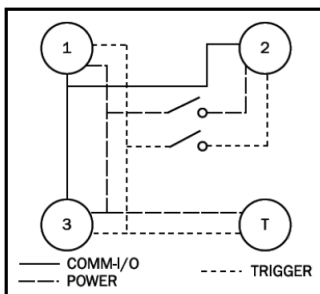
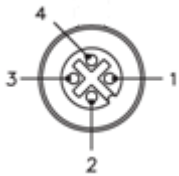
QX-1 Interface Device

The QX-1's receptacles do not have explicit pin assignments. The QX-1 allows users to bus power and communications as required by the application.

Connectors 1 and 3 are 12-pin plugs, and connector 2 is a 12-pin socket. All three connectors can be assigned to bus power and data as required by the application.

The two switches at the center of the device allow the user to route signals as needed.

Pin	Function
1	+24V
2	Trig/NM/Input 1 Common
3	Ground
4	Trigger



QX-1 Communications - I/O - Power - Trigger

The diagram at left (also shown on the base of the QX-1) illustrates how power, communications, I/O, and trigger signal can be routed through the QX-1 device depending on the needs of the application. The switches greatly increase signal routing flexibility.

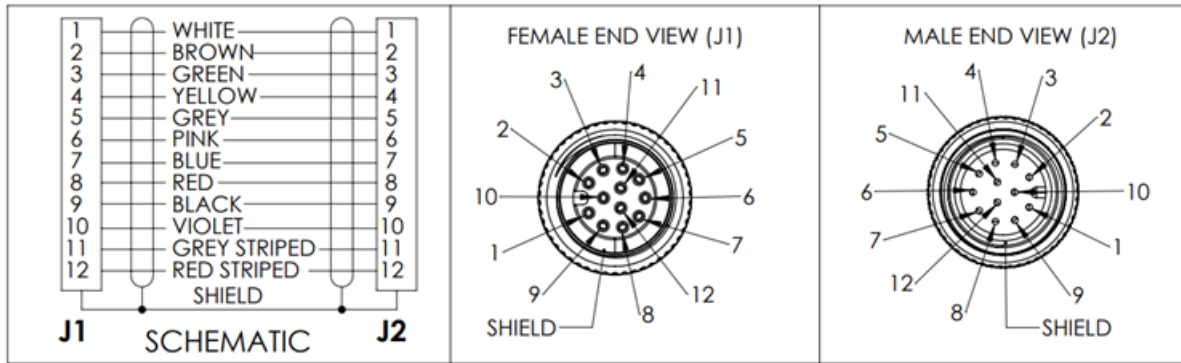
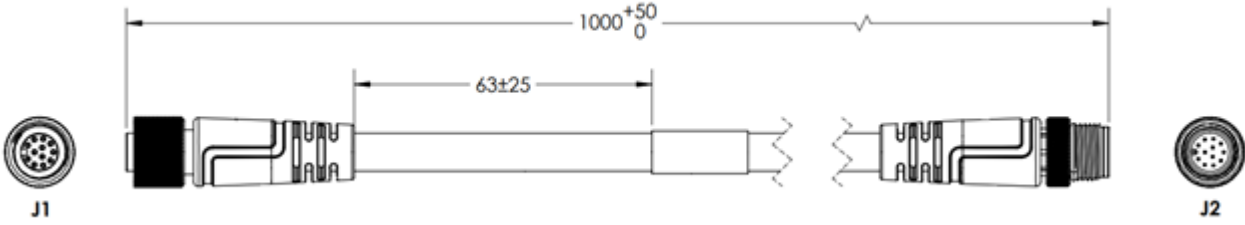
VHV5-F

Reader to QX-1 Interconnect Cable – M12 Socket to M12 Plug. 1 Meter, 3 Meters, 5 Meters

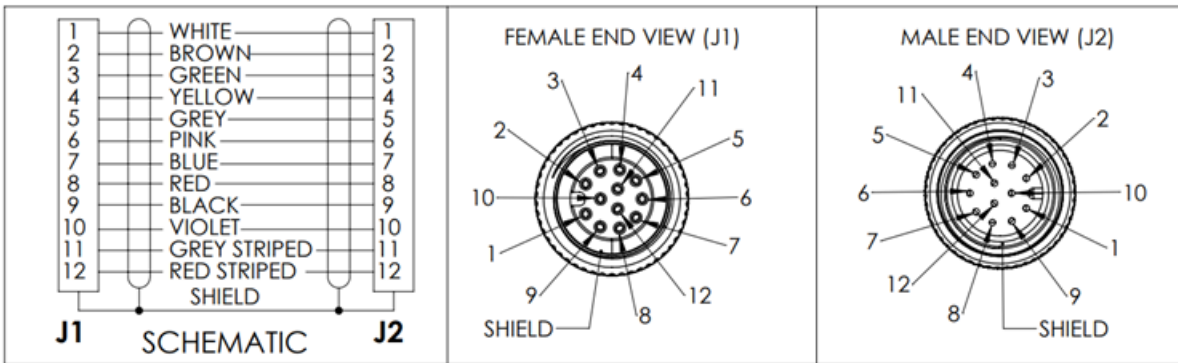
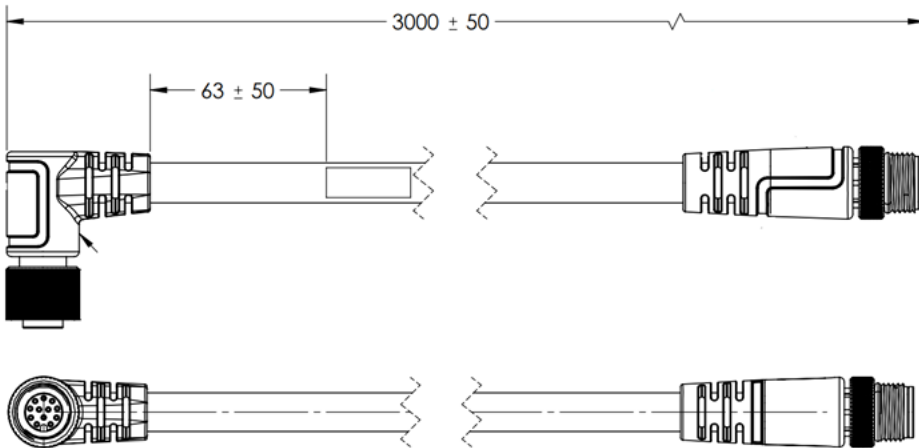
V430-WQ-1M

V430-WQ-3M

V430-WQ-5M

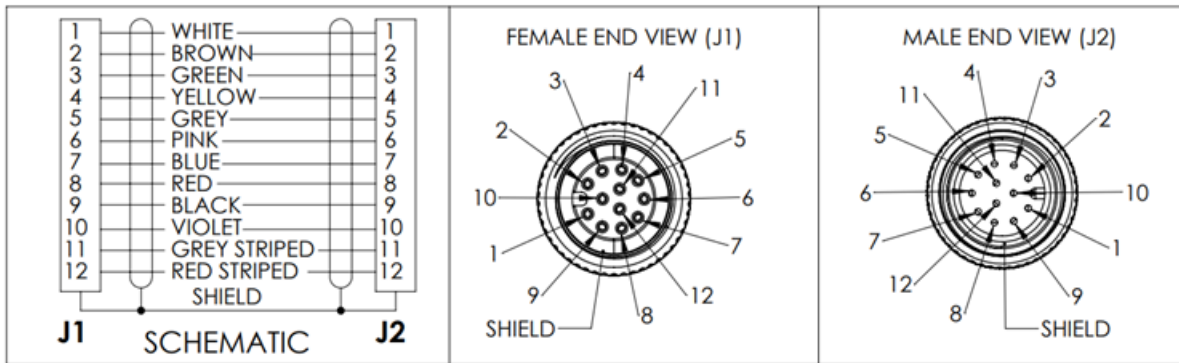
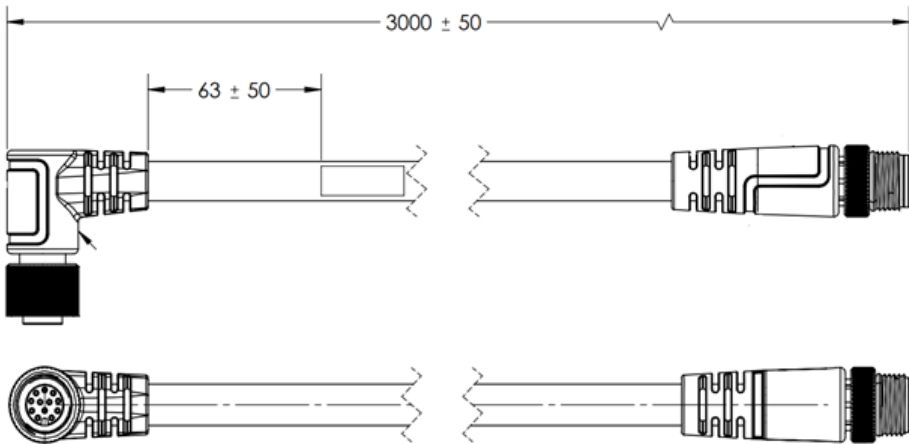


Reader to QX-1 Interconnect Cable – M12 Socket to M12 Plug – 1 Meter, 3 Meters (Right Angle to Back of Camera)
 61-000162-03
 61-000148-03

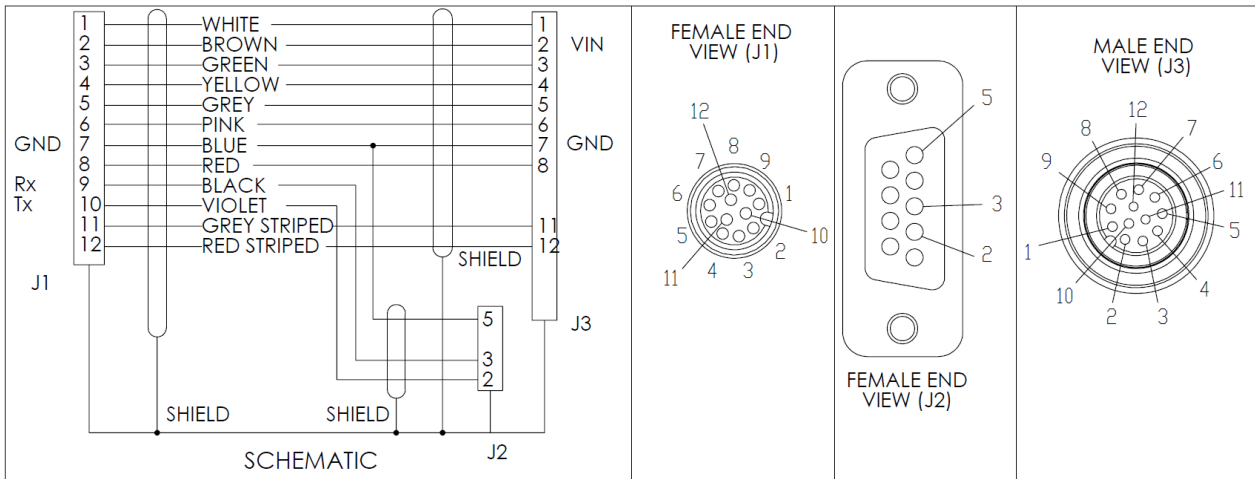
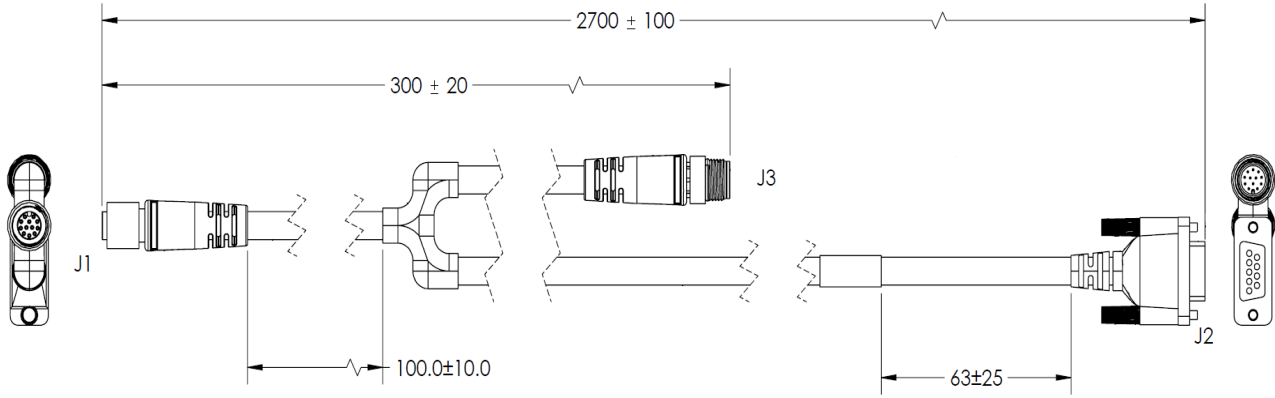
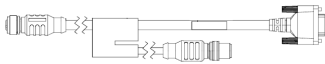


VHV5-F

Right Angle Reader to QX-1 Interconnect Cable – M12 Socket to M12 Plug – 1 Meter, 3 Meters (Right Angle to Front of Camera)
 61-000162-04
 61-000148-04

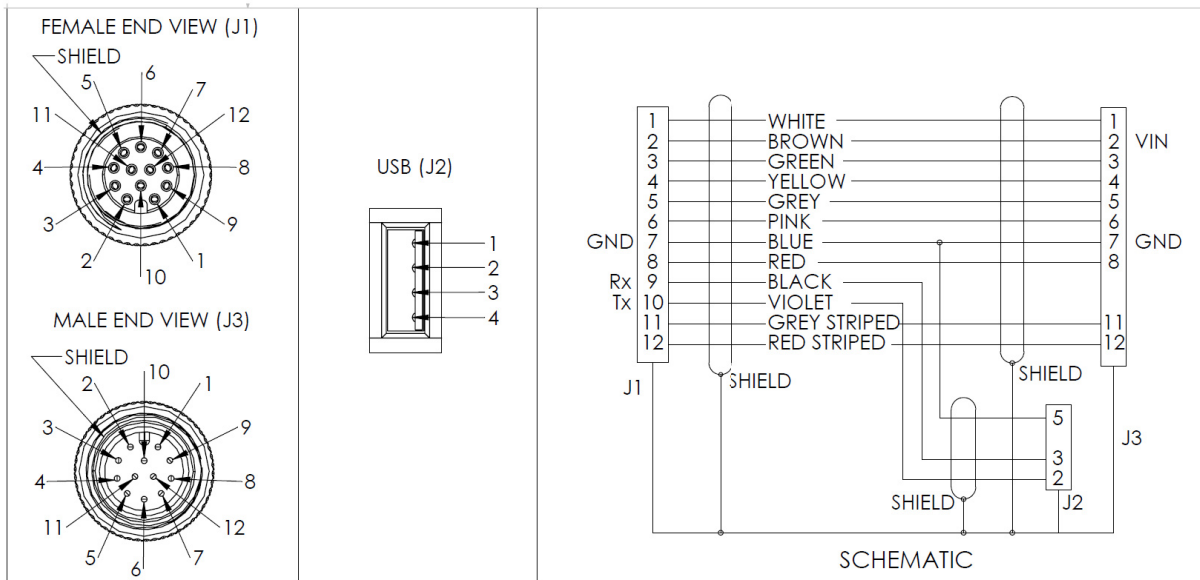
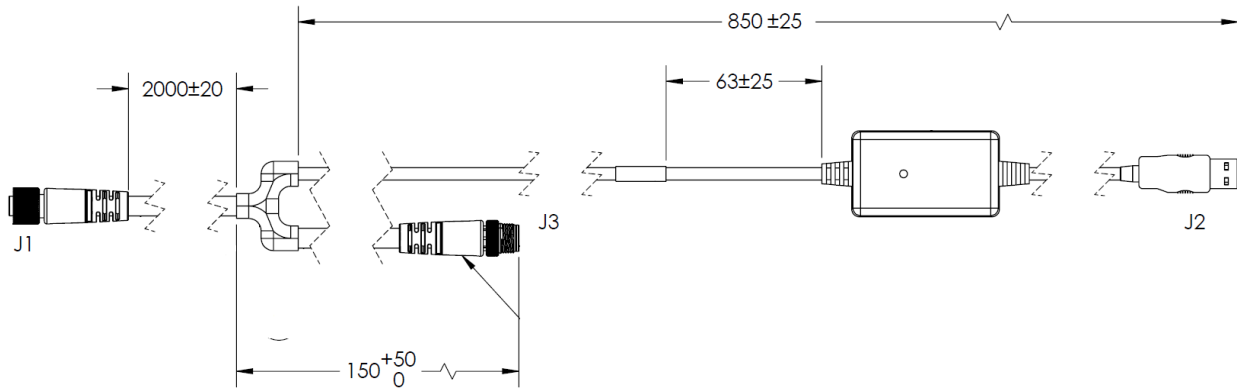
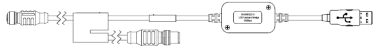


VHV5-F to QX-1 Interconnect Cables with RS-232 Breakout – 3 Meters, 5 Meters
 V430-WQR-3M
 V430-WQR-5M

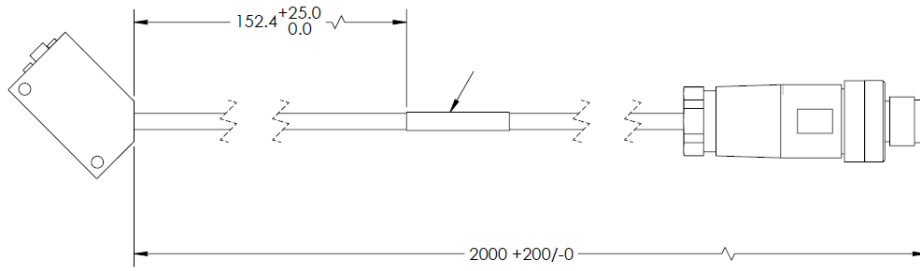


VHV5-F

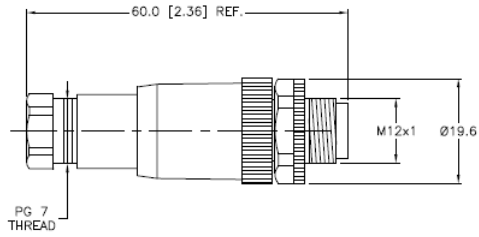
VHV5-F to QX-1 Interconnect Cables with USB Keyboard Wedge Breakout – 3 Meters V430-WQK-3M



QX-1 Photo Sensor, M12 4-Pin Plug, NPN, Light ON / Dark ON – 2 Meters
99-900016-01



QX-1 Field-Wireable M12 4-Pin Plug for Any Trigger Source or Photo Sensor – Screw Terminal Connector
98-9000239-01



VHV5-F

Related Manuals

Model	Part Number	Manual
VHV5-F	Z476-E-01 (84-9000470-02)	VHV5-F Autofocus Multicode Reader User Manual
	Z477-E-01 (84-9350057-02)	VHV5-F Autofocus Multicode Reader Communication Manual

Note: Do not use this document to operate the unit.

OMRON Corporation Industrial Automation Company

Kyoto, JAPAN

Contact : www.ia.omron.com

Regional Headquarters

OMRON EUROPE B.V.

Wegalaan 67-69, 2132 JD Hoofddorp
The Netherlands
Tel: (31) 2356-81-300 Fax: (31) 2356-81-388

OMRON ELECTRONICS LLC

2895 Greenspoint Parkway, Suite 200
Hoffman Estates, IL 60169 U.S.A.
Tel: (1) 847-843-7900 Fax: (1) 847-843-7787

OMRON ASIA PACIFIC PTE. LTD.

438B Alexandra Road, #08-01/02 Alexandra
Technopark, Singapore 119968
Tel: (65) 6835-3011 Fax: (65) 6835-3011

OMRON (CHINA) CO., LTD.

Room 2211, Bank of China Tower,
200 Yin Cheng Zhong Road,
PuDong New Area, Shanghai, 200120, China
Tel: (86) 21-6023-0333 Fax: (86) 21-5037-2388

Authorized Distributor:

©OMRON Corporation 2025 All Rights Reserved.
In the interest of product improvement, specifications
are subject to change without notice.

Cat. No. Q357-E-03 (SP132C-EN-0525)

Printed in Japan
0525 (0124)