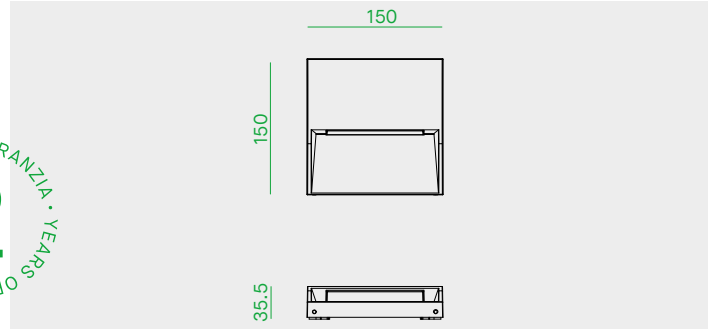




SPS06

Code	Nominal/lm	W	CCT	Colour
SPS06/3K/W	510	6	3000K	
SPS06/4K/W	510	6	4000K	
SPS06/3K/G	510	6	3000K	
SPS06/4K/G	510	6	4000K	
SPS06/3K/A	510	6	3000K	
SPS06/4K/A	510	6	4000K	



Mind in Italy

Incasto a LED per installazione a parete.

LED recessed fitting for wall mounting installation.

Appareil encastré LED pour installation au mur.

LED Wandeinbauleuchte.

LED OSRAM

OSRAM LED

LED OSRAM

OSRAM LED

Lifetime 50.000h (rendimento 70%).

Lifetime 50.000h (70% lumen maintenance).

Durée de vie 50.000h (rendement 70%).

Lebensdauer 50.000h (Lichtstrom 70%).

Corpo in pressofusione di alluminio verniciato bianco, grigio o antracite. Diffusore in PMMA

Body in white, anthracite or grey painted die-cast aluminum. PMMA diffuser.

Corps en aluminium moulé sous pression peint blanc, gris ou anthracite.

Aluminumdruckguss-Gehäuse in weiss, anthrazit oder grau

Cavo in neoprene H05RN-F 3x0.75mm² di 0,5m.

Neoprene H05RN-F 3x0.75mm² cable of 0,5m.

Câble en néoprène H05RN-F 3x0.75mm² de 0,5m.

Neopren kabel H05RN-F 3x0.75mm² - 0,5m.

Completo di attacco per scatola 503 (scatola non fornita).

Complete with connector for box 503 (box not included).

Complet de connexion pour boîte 503 (boîte 503 non incluse).

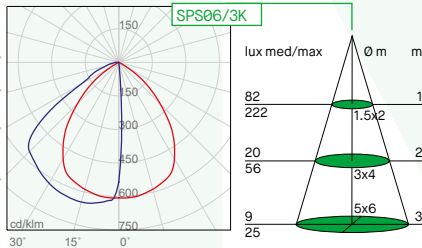
Komplett mit Verbindung für Box 503

Alimentatore 220-240V - 50/60Hz incluso.

220-240V - 50/60Hz power supply included.

Alimentation 220-240V - 50/60Hz incluse.

Netzgerät 220-240V - 50/60Hz enthalten.



Accessori su richiesta — Accessories upon request - Accessoires sur demande - Zubehör auf Anfrage

Code	Descrizione	Description	Description	Beschreibung
SP/KIT/503	Kit composto da placca di fissaggio e 6 viti. (scatola 503 non fornita)	Kit with fixing plate and 6 screws (box not included)	Kit composé d'une plaque de fixation et de 6 vis (boîte 503 non incluse).	Kit mit Fixierungsplatte und 6 Schrauben (ohne Box)