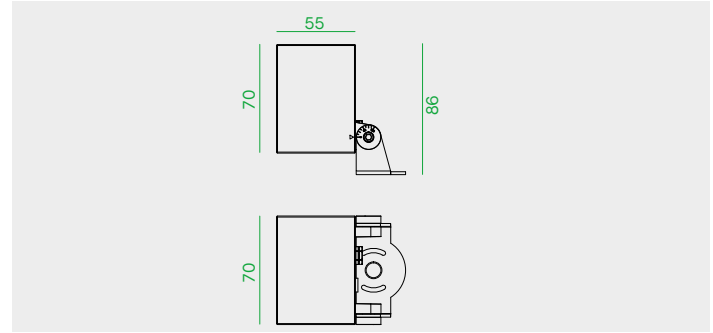




2 ANNI DI GARANZIA • YEARS OF WARRANTY

Q2

Code	Nominal/1m	W	CCT	Beam	Color
Q2/M/3K/A	900	9	3000K	36°	A
Q2/M/4K/A	1000	9	4000K	36°	A
Q2/M/3K/W	900	9	3000K	36°	W
Q2/M/4K/W	1000	9	4000K	36°	W
Q2/M/3K/G	900	9	3000K	36°	G
Q2/M/4K/G	1000	9	4000K	36°	G



Proiettore LED con staffa e picchetto per installazione a parete e pavimento.

LED projector with bracket and ground spike for wall-mounted and ground installation.

Projecteur LED avec support et piquet pour montage mural et installation au sol.

Flutlicht-LED mit Halterung und Erdspieß zur Wandmontage und Bodeninstallation.

LED CREE

CREE LED

LED CREE

CREE LED

Lifetime 30.000h (rendimento 70%).

Lifetime 30.000h (70% lumen maintenance).

Durée de vie 30.000h (rendement 70%).

Lebensdauer 30.000h (Lichtstrom 70%).

Corpo in alluminio pressofuso verniciato bianco, grigio o antracite. Vetro temperato trasparente.

Body in white, grey or anthracite painted aluminium. Transparent tempered glass diffuser.

Corps en aluminium peint en blanc, gris ou anthracite. Diffuseur en verre trempé transparent.

Gehäuse aus weiß, grau oder anthrazit lackiertem Aluminium. Transparenter Diffusor aus gehärtetem Glas.

Cavo in neoprene H05RN-F 3x0.75mm² di 2m. Picchetto incluso nella confezione.

Neoprene H05RN-F 3x0.75mm² cable of 2m. Spike included.

Câble en néoprène H05RN-F 3x0.75mm² de 2m. Spike inclus.

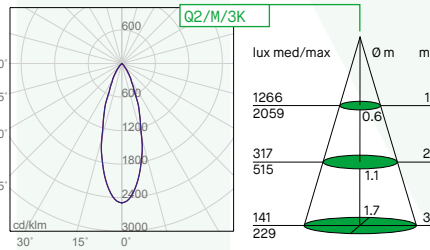
Neopren-Kabel H05RN-F 3x0.75mm² von 2m. Spike enthalten.

Alimentatore 220-240V - 50/60Hz incluso.

220-240V - 50/60Hz power supply included.

Alimentation 220-240V - 50/60Hz incluse.

Netzgerät 220-240V - 50/60Hz enthalten.



W



G