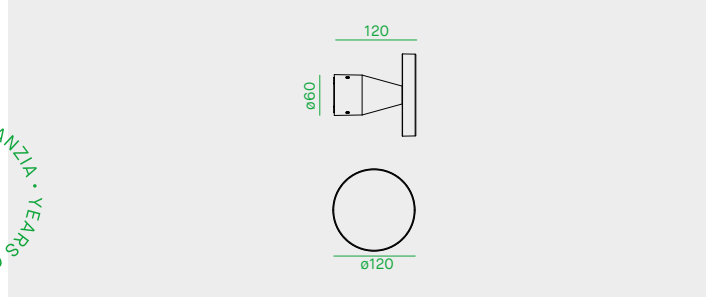




PN10

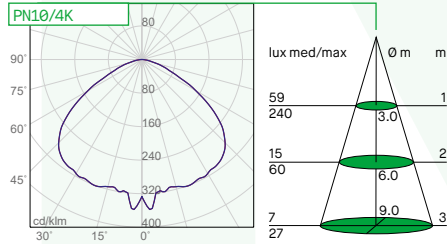
Code	Nominal/lm	W	CCT	Colour
PN10/3K/W	650	8.2	3000K	<input type="checkbox"/> W
PN10/4K/W	750	8.2	4000K	<input type="checkbox"/> W
PN10/3K/G	650	8.2	3000K	<input type="checkbox"/> G
PN10/4K/G	750	8.2	4000K	<input type="checkbox"/> G
PN10/3K/A	650	8.2	3000K	<input type="checkbox"/> A
PN10/4K/A	750	8.2	4000K	<input type="checkbox"/> A

2 ANNI DI GARANZIA • YEARS OF WARRANTY



Mind in Italy

Appliche LED per installazione a parete.	LED fitting for wall-mounted installation.	Appliche murale LED.	LED-Leuchter für Wandinstallation.
LED Edison	Edison LED	LED Edison	Edison LED
Lifetime 50.000h (rendimento 70%).	Lifetime 50.000h (70% lumen maintenance).	Durée de vie 50.000h (rendement 70%).	Lebensdauer 50.000h (Lichtstrom 70%).
Corpo in alluminio bianco, antracite o grigio. Diffusore in vetro microprismatico..	White, grey or anthracite aluminium body. Micro-prismatic tempered glass.	Corps en aluminium blanc, anthracite ou gris. Verre trempé microprismatique.	Gehäuse aus weißem, anthrazitfarbenem oder grauem Aluminium. Mikroprismatisches gehärtetes Glas.
Alimentatore 220-240V - 50/60Hz integrato.	Integrated 220-240V - 50/60Hz power supply.	Alimentation 220-240V - 50/60Hz incluse.	Netzgerät 220-240V - 50/60Hz enthalten.



Varianti colore — Different colors - Variantes couleurs — Verschiedene Farben

