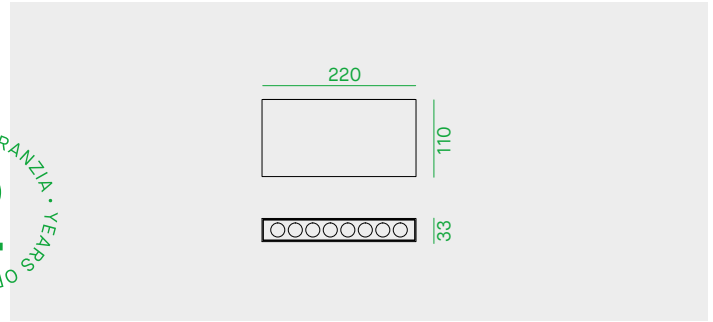




BP22/1B

Code	Nominal/lm	Real/lm	W	CCT	Beam
BP22/1B/3K/W	1300	958	14	3000K	20x30°
BP22/1B/4K/W	1400	1022	14	4000K	
BP22/1B/3K/G	1300	958	14	3000K	
BP22/1B/4K/G	1400	1022	14	4000K	
BP22/1B/3K/A	1300	958	14	3000K	
BP22/1B/4K/A	1400	1022	14	4000K	



Applique LED mono emissione rettangolare IP67 per installazione a parete.

Rectangular mono-emission LED luminaire in IP67 for wall-mounted installation.

Applique LED rectangulaire mono-émission IP67 pour installation murale.

Rechteckige LED-Leuchte mit einseitiger Abstrahlung in IP67 für Wand-Installation

LED CREE

CREE LED.

LED CREE

CREE LED.

Lifetime 50.000h (rendimento 70%).

Lifetime 50.000h (70% lumen maintenance).

Durée de vie 50.000h (rendement 70%).

Lebensdauer 50.000h (Lichtstrom 70%).

Corpo in pressofusione di alluminio verniciato bianco, antracite o grigio

Body in white, anthracite or grey painted die-cast aluminum.

Corps en aluminium moulé sous pression peint blanc, anthracite ou gris.

Aluminumdruckguss-Gehäuse in weiss, anthrazit oder grau

Diffusore in vetro serigrafato nero. Lenti in PMMA. Connettore stagno IP68 incluso.

Black tempered glass diffuser. PMMA lenses. IP68 waterproof connector included.

Diffuseur en verre sérigraphié noir. Lentilles PMMA. Connecteur étanche IP68 inclus.

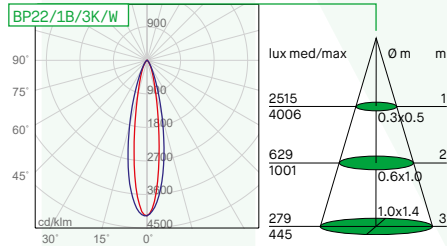
Schwarzer Siebdruckglas-Diffusor. PMMA Linsen. IP68 wasserdichter Verbinder enthalten

Alimentatore 220-240V 50/60Hz integrato.

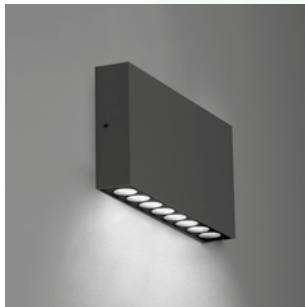
Integrated 220-240V 50/60Hz power supply.

Alimentation 220-240V 50/60Hz intégrée.

Integrierte 220-240V 50/60Hz Stromversorgung.



G



A