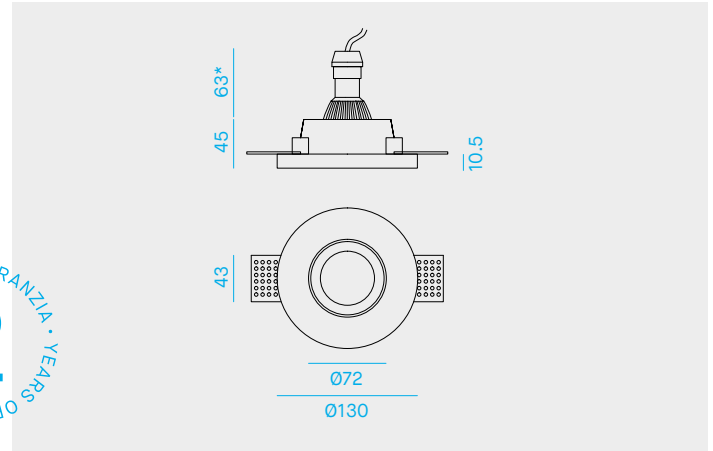



**9093**

Code	W/max	V	Lamp holder
9093	8	220-240	GU10



2 ANNI DI GARANZIA • YEARS OF GUARANTEE



*Incasso a scomparsa totale, installazione in soffitto di cartongesso.*

*Recessed perfectly ceiling-integrated for plasterboard installation.*

*Encastrés en plâtre au faux-plafond.*

*Gipseinbauleuchte für Gipskartondecken.*

*Corpo in gesso.*

*Body in gypsum.*

*Corps en plâtre.*

*Gehäuse aus Gips.*

*Portalampane incluso nella confezione.*

*Lamp holder included.*

*Douille inclus dans l'emballage.*

*Fassung enthalten.*

*\* Lampada LED non inclusa. Dato indicativo di una lampada tipo.*

*\* LED Lamp not included. General dimension of standard lamp.*

*\* Lampe LED pas incluse. Information générique d'une lampe exemple.*

*\* LED Lampe nicht enthalten. Allgemeine Information durch einen Lampen-Typ.*