

A60C

Low Voltage Capacitor Fuses

SPECIAL PURPOSE

600V LOW VOLTAGE CAPACITOR FUSES

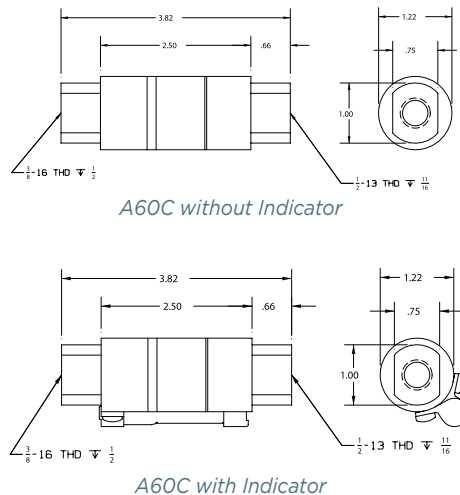


Mersen low voltage capacitor fuses provide advanced safety for power correction and harmonic filtering equipment. A capacitor fuse isolates a shorted capacitor before it can damage surrounding equipment or personnel. Typical capacitor failures occur when the internal dielectric can no longer withstand the applied voltage, resulting in a low impedance current path and generating excessive heat and pressure that can cause violent case rupture. Mersen low voltage capacitor fuses will isolate the shorted capacitor before case rupture occurs while routinely withstanding inrush current at startup.

CATALOG NUMBERS (AMPS)

Without indicator	With indicator
A60C10-121	-
A60C15-121	-
A60C20-121	-
A60C25-121	A60C25-121TI
A60C30-121	-
A60C35-121	A60C35-121TI
A60C40-121	A60C40-121TI
A60C50-121	A60C50-121TI
A60C60-121	A60C60-121TI
-	A60C75-121TI
A60C80-121	A60C80-121TI
A60C100-121	A60C100-121TI
A60C125-121	A60C125-121TI
A60C150-121	A60C150-121TI
A60C175-121	A60C175-121TI
A60C200-121	A60C200-121TI
A60C225-121	A60C225-121TI
A60C250-121	A60C250-121TI
A60C300-121	A60C300-121TI

DIMENSIONS



RATINGS

- **Volts:** 600VAC
- **Amps:** 10 to 300A
- **I.R.:** 200kA I.R.

FEATURES/BENEFITS

- High interrupting rating
- Current-limiting
- Capacitor inrush withstand capability
- Direct mount
- Optional blown fuse indication

APPLICATIONS

- Advanced safety for power correction and harmonic filtering equipment

APPROVALS/STANDARDS

- UL Recognized Component File E60314
- Tested by UL to CSA standard C22.2 No. 248.1

