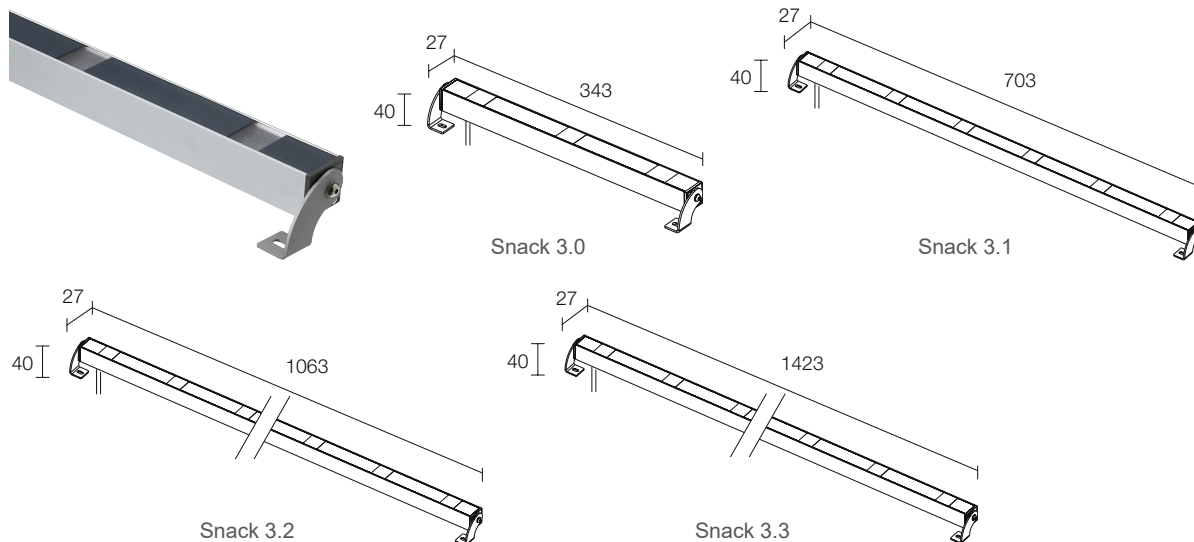


Snack 3.0 - Snack 3.1 - Snack 3.2 - Snack 3.3

Indoor linear profile / Profili lineari da interno



Snack 3.0 - Snack 3.1 - Snack 3.2 - Snack 3.3

DESCRIPTION

Linear profile for indoor applications; surface mounted (ceiling, wall, floor); body in anodized extruded aluminium alloy EN AW 6060, screen in transparent, serigraphed polycarbonate; finishes: anodized aluminium, white; 3 RGB groups pitch 120 mm (Snack 3.0), 6 RGB groups pitch 120 mm (Snack 3.1), 9 RGB groups pitch 120 mm (Snack 3.2), 12 RGB groups pitch 120 mm (Snack 3.3); 10W, 20W, 30W, 40W - 24Vdc; includes 1.50 m PVC cable, FROR 4x0.50 Ø5 mm; lumen output at source: 870 lm (R: 145 lm, G: 435 lm, B: 290 lm, Snack 3.0), 1740 lm (R: 290 lm, G: 870 lm, B: 580 lm, Snack 3.1), 2953 lm (R: 434 lm, G: 1303 lm, B: 1216 lm, Snack 3.2), 3935 (R: 578 lm, G: 1736 lm, B: 1621 lm, Snack 3.3); total delivered lumens: 458 lm (R: 76 lm, G: 229 lm, B: 153 lm, Snack 3.0), 916 lm (R: 152 lm, G: 458 lm, B: 306 lm, Snack 3.1), 1374 lm (R: 228 lm, G: 687 lm, B: 459 lm, Snack 3.2), 1832 (R: 304 lm, G: 916 lm, B: 612 lm, Snack 3.3); optics: 18°, 26°, 32°, 22°x42°; LED colour: RGB; ingress protection: IP40; operating temperature: 0°C +45°C; max appareil temperature: 40°C (Ta 25°C); Glow wire test: 730°; photobiological safety: risk group 1 in accordance with EN62471:2006; appliance class: III; weight 0.30 kg (Snack 3.0), 0.57 kg (Snack 3.1), 0.84 kg (Snack 3.2), 1.10 kg (Snack 3.3); dimensions 343x40x27 mm (Snack 3.0), 703x40x27 mm (Snack 3.1), 1063x40x27 mm (Snack 3.2), 1243x40x27 mm (Snack 3.3); compulsory PWM control system in 24Vdc.

DESCRIZIONE

Profilo lineare da interno; su superficie (soffitto, parete, pavimento); corpo in alluminio estruso anodizzato lega EN AW 6060, schermo in policarbonato trasparente serigrafato; finiture: alluminio anodizzato, bianco; 3 gruppi RGB passo 120 mm (Snack 3.0), 6 gruppi RGB passo 120 mm (Snack 3.1), 9 gruppi RGB passo 120 mm (Snack 3.2), 12 gruppi RGB passo 120 mm (Snack 3.3); 10W, 20W, 30W, 40W - 24Vdc; incluso cavo in PVC di 1,5 m FROR 4x0,50 Ø5 mm; flusso sorgente: 870 lm (R: 145 lm, G: 435 lm, B: 290 lm, Snack 3.0), 1740 lm (R: 290 lm, G: 870 lm, B: 580 lm, Snack 3.1), 2953 lm (R: 434 lm, G: 1303 lm, B: 1216 lm, Snack 3.2), 3935 (R: 578 lm, G: 1736 lm, B: 1621 lm, Snack 3.3); flusso totale: 458 lm (R: 76 lm, G: 229 lm, B: 153 lm, Snack 3.0), 916 lm (R: 152 lm, G: 458 lm, B: 306 lm, Snack 3.1), 1374 lm (R: 228 lm, G: 687 lm, B: 459 lm, Snack 3.2), 1832 (R: 304 lm, G: 916 lm, B: 612 lm, Snack 3.3); ottiche: 18°, 26°, 32°, 22°x42°; colore LED: RGB; grado di protezione: IP40; temperatura di esercizio: 0°C +45°C; temperatura max apparecchio: 40°C (Ta 25°C); Glow wire test: 730°; sicurezza fotobiologica: gruppo rischio 1 secondo EN62471:2006; classe di isolamento III; peso 0,30 kg (Snack 3.0), 0,57 kg (Snack 3.1), 0,84 kg (Snack 3.2), 1,10 kg (Snack 3.3); dimensioni 343x40x27 mm (Snack 3.0), 703x40x27 mm (Snack 3.1), 1063x40x27 mm (Snack 3.2), 1243x40x27 mm (Snack 3.3); obbligatorio sistema di controllo PWM a 3 canali in tensione.

Data contained in this document may be changed at any moment without prior notice and do not place L&L Luce&Light srl under any implicit or explicit obligation. *Le informazioni contenute nel presente documento possono essere modificare in qualsiasi momento senza preavviso e non comportano l'assunzione, nemmeno implicita, di alcuna obbligazione da parte della L&L Luce&Light srl.*

ELECTRICAL FEATURES / CARATTERISTICHE ELETTRICHE

Power consumption <i>Potenza assorbita</i>	10W (Snack 3.0), 20W (Snack 3.1), 30W (Snack 3.2), 40W (Snack 3.3),
Power supply <i>Alimentazione</i>	24Vdc
Power supply unit <i>Alimentatore</i>	Not included <i>Non incluso</i>
Dimming <i>Dimmerazione</i>	compulsory PWM control system in 24Vdc <i>obbligatorio sistema di controllo PWM a 3 canali in tensione</i>
Connection <i>Collegamento</i>	parallel <i>in parallelo</i>

LIGHTIN FEATURES / CARATTERISTICHE ILLUMINOTECNICHE

No. and type of LED / <i>N° e tipo di LED</i>	3, 6, 9, 12 RGB groups pitch 120 mm
Average LED life / <i>Duratura media LED</i>	80% after 50.000 h
LED colour <i>Colore LED</i>	RGB
CRI <i>Indice resa cromatica CRI</i>	-
Binning <i>Selezione</i>	-
Optics <i>Ottiche</i>	18°, 26°, 32°, 22°x42°
Lumen output at source <i>Flusso sorgente</i>	Snack 3.0: 870 lm (R 145 lm, G 435 lm, B 290 lm) Snack 3.1: 1740 lm (R 290 lm, G 870 lm, B 580 lm) Snack 3.2: 2953 lm (R 434 lm, G 1303 lm, B 1216 lm) Snack 3.3: 3935 lm (R 578 lm, G 1736 lm, B 1621 lm)
Total delivered lumens <i>Flusso totale apparecchio</i>	Snack 3.0: 458 lm (R 76 lm, G 229 lm, B 153 lm) Snack 3.1: 916 lm (R 152 lm, G 458 lm, B 306 lm) Snack 3.2: 1374 lm (R 228 lm, G 687 lm, B 459 lm) Snack 3.3: 1832 lm (R 304 lm, G 916 lm, B 612 lm)

MECHANICAL FEATURES / CARATTERISTICHE MECCANICHE

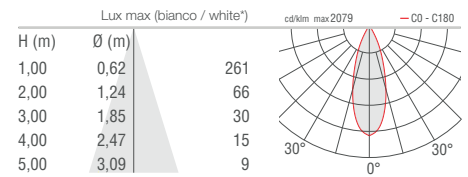
Dimensions / <i>Dimensioni</i>	Snack 3.0: 343x40x27 mm Snack 3.1: 703x40x27 mm Snack 3.2: 1063x40x27 mm Snack 3.3: 1243x40x27 mm
Weight / <i>Peso</i>	0,30 kg (Snack 3.0), 0,57 kg (Snack 3.1), 0,84 kg (Snack 3.2), 1,10 kg (Snack 3.3)
Finishes <i>Finiture</i>	anodized aluminium, white RAL 9003 <i>alluminio anodizzato, bianco</i>
Installation <i>Fissaggio</i>	with adjustable brackets and screws <i>con staffe regolabili e viti</i>
Body material <i>Materiale corpo</i>	anodized extruded aluminium alloy EN AW 6060 <i>alluminio estruso anodizzato lega EN AW 6060</i>
Screen material <i>Materiale schermo</i>	transparent, serigraphed polycarbonate <i>polycarbonato trasparente serigrafato</i>

GENERAL FEATURES / CARATTERISTICHE GENERALI

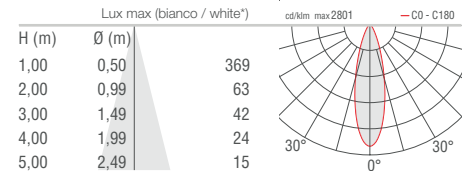
Operating temperature / <i>Temperatura di esercizio</i>	from 0° C to +45° C
Ingress protection / <i>Grado di protezione</i>	IP40
Impact resistance / <i>Grado di resistenza</i>	-
Energy efficiency class <i>Classe di consumo energetico</i>	A/A+/A++ (built-in LED lamps) in accordance with EU 874/2012 A/A+/A++ (modulo LED integrato) in accordo con UE 874/2012
Glow wire test / <i>Glow wire test</i>	730°
Max luminaire temperature <i>Temperatura max apparecchio</i>	Max 40°C (Ta 25°C)
Appliance class / <i>Classe di isolamento</i>	Class III / Classe III
Walkover / <i>Calpestabile</i>	no
Drive-over / <i>Carrabile</i>	no
Power cables <i>Cavi di alimentazione</i>	includes 2,50 m multicore cable (5x1) <i>incluso cavo multipolare di 0,50 m (5x1)</i>
Standard safety <i>Sicurezza standard</i>	NTC
Photobiological safety <i>Sicurezza fotobiologica</i>	Risk group 1 in accordance with EN62471:2006 <i>Gruppo rischio 1 secondo EN62471:2006</i>

**PHOTOMETRIC DATA
DATI FOTOMETRICI**

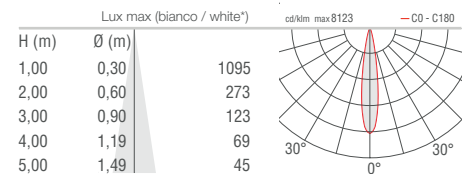
L - 32°



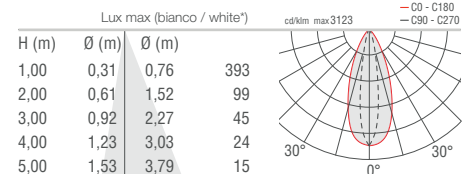
M - 26°



S - 18°



W - 22°x42°



* White created by mixing the colours /
Bianco ottenuto con miscelazione dei colori