

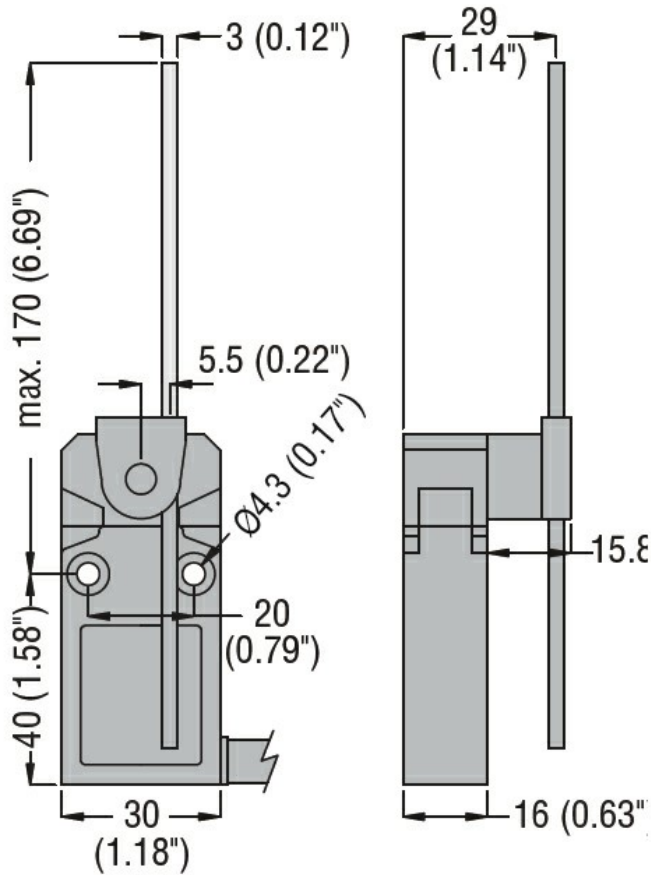


Product designation	Adjustable rod lever		
Product type designation	KPL2		
<b>General characteristics</b>			
Material	Housing	Aluminium-zinc alloy	
	Roller	Metal	
<b>Contact characteristics</b>			
Type of contact	1NO+1NC Slow action		
Thermal current I <sub>th</sub>	A	10	
IEC/EN 60947-5-1 designation	B300 R300		
Rated insulation voltage U <sub>i</sub>	V	400	
Rated impulse withstand voltage U <sub>imp</sub>	kV	4	
Insulation class	I		
IEC Conventional free air thermal current I <sub>th</sub>	A	10	
Resistance per pole (average value)	mΩ	<25	
Conductivity	10mA 5V		
<b>Mechanical features</b>			
Operating head fixing	Fixed		
Operating torque	N	80	
	lb	0.7	
Tightening torque (Max)			
Switch fixing	Nm	2.5	
	lbin	22.1	
Cable connection	2m / 5xAWG18-0.75mm <sup>2</sup> PVC Style 2517		
Weight	g	342	
<b>Operations</b>			
Mechanical life	cycles	>10000000	
Mechanical operation	cycles/h	3600	
<b>Ambient conditions</b>			
Temperature			
Operating temperature	min	°C	-25
	max	°C	+70
Storage temperature	min	°C	-40
	max	°C	+70
<b>Resistance &amp; Protection</b>			
IP degree	Body housing	IP67	

Pollution degree

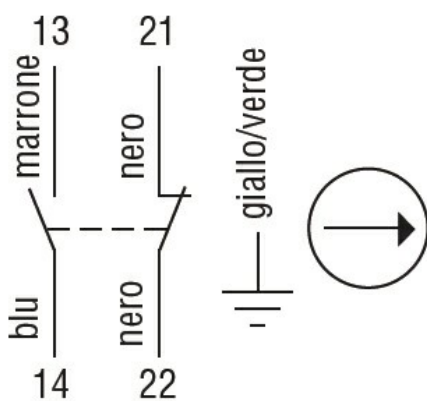
3

**Dimensions**



**Wiring diagrams**

**Slow action**



**1NO + 1NC**

**Certifications and compliance**

Compliance

CSA C22.2 n° 14.

IEC/EN 60947-1

IEC/EN 60947-5-1

UL508

Certificates

cULus

EAC

ETIM classification

ETIM 8.0

EC000030 - End  
switch