



Product designation

Roller centre  
push lever

Product type designation

KNC

**General characteristics**

Material

|         |                      |
|---------|----------------------|
| Housing | Aluminium-zinc alloy |
| Roller  | Metal                |

**Contact characteristics**

Type of contact

1NO+1NC Slow  
action make  
before break

|   |         |                        |
|---|---------|------------------------|
| Thermal current I <sub>th</sub>                           | A       | 10                     |
| IEC/EN 60947-5-1 designation                              |         | A300 Q300              |
| Rated insulation voltage U <sub>i</sub>                   | V       | 440                    |
| Rated impulse withstand voltage U <sub>imp</sub>          | kV      | 4                      |
| Short-circuit protection with fuse                        | Class/A | 10 gG/SC<br>QUICK FUSE |
| Switching speed   | min     | m/s 0.5                |
|   | max     | m/s 1.5                |
| IEC Conventional free air thermal current I <sub>th</sub> | A       | 10                     |
| Resistance per pole (average value)                       | mΩ      | <10                    |

**Mechanical features**

Operating head fixing

Locking bayonet  
insert

Operating torque

|    |      |
|----|------|
| N  | 6    |
| lb | 1.34 |

Tightening torque (Max)

Switch fixing

|      |      |
|------|------|
| Nm   | 2.5  |
| lbin | 22.1 |

Contact terminals

|      |     |
|------|-----|
| Nm   | 0.8 |
| lbin | 7   |

Body lid screw fixing

|      |     |
|------|-----|
| Nm   | 0.8 |
| lbin | 7   |

Conductor section

AWG/Kcmil

|     |    |
|-----|----|
| min | 16 |
| max | 14 |

IEC

|     |                 |        |
|-----|-----------------|--------|
| min | mm <sup>2</sup> | 1 or 2 |
| max | mm <sup>2</sup> | 2.5    |

|                  |                               |
|------------------|-------------------------------|
| Cable connection | Self-releasing screw terminal |
| Cable entry      | M20 on the sides              |

**Operations**

|                      |          |           |
|----------------------|----------|-----------|
| Mechanical life      | cycles   | <10000000 |
| Mechanical operation | cycles/h | 3600      |

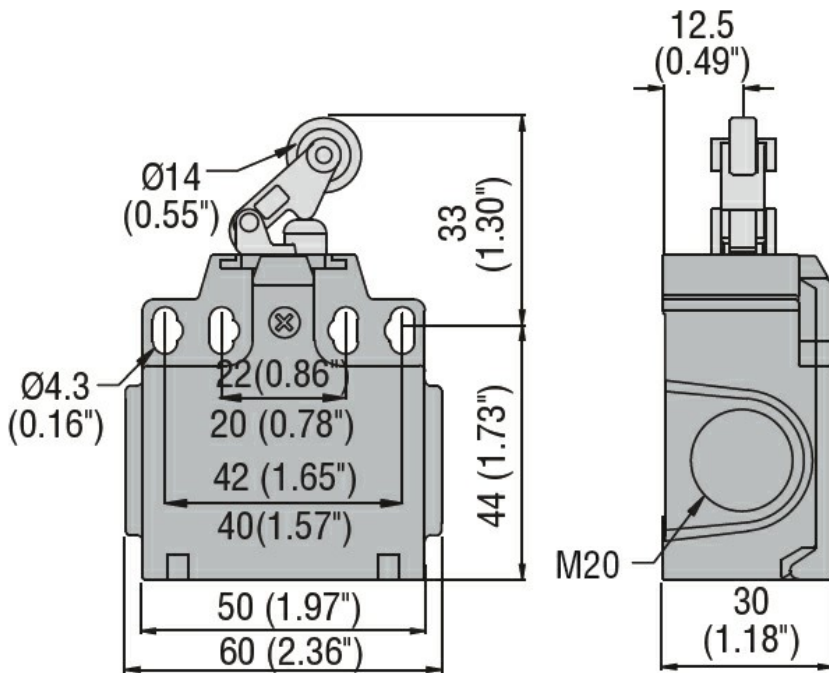
**Ambient conditions**

|             |                       |     |    |     |
|-------------|-----------------------|-----|----|-----|
| Temperature | Operating temperature | min | °C | -25 |
|             |                       | max | °C | +70 |
|             | Storage temperature   | min | °C | -40 |
|             |                       | max | °C | +70 |

**Resistance & Protection**

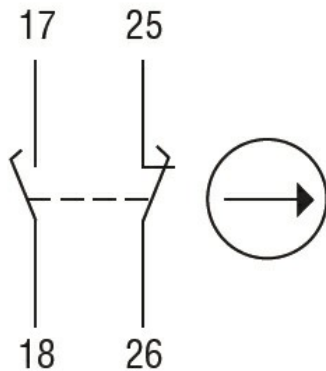
|                  |              |      |
|------------------|--------------|------|
| IP degree        | Terminals    | IP20 |
|                  | Body housing | IP65 |
| Pollution degree |              | 3    |

**Dimensions**



**Wiring diagrams**

## Slow action



**1NO + 1NC**  
**make before break**

### Certifications and compliance

#### Compliance

CSA C22.2 n° 14

EN 50047

IEC/EN 60204-1

IEC/EN 60947-1

IEC/EN 60947-5-1

UL508

#### Certificates

CCC

cULus

EAC

### ETIM classification

ETIM 8.0

EC000030 - End  
switch